



Hydraulic Breakers M-Range



Normet reserves the right to change this specification without further notice

Pictures may include options and additional equipment.

INTRODUCTION

Normet Xrock Breakers are made for professional use for excavators from 4 ton up to 100 ton. Breakers can be used on all common applications and tailored for special applications such as underwater jobs and extreme, hot applications. A diverse selection of breakers with small weight differences between 330 kg and 7200 kg ensure perfect match on every carrier.

M-RANGE

M-range is the middle-range, consisting of four breakers designed for applications such as frozen ground and rock breaking, and urban and infrastructure works e.g. demolition and roadside breaking. Their working weights vary from 750 kg to 1980 kg, meant for excavators from 8 ton up to 29 ton. All M-range hammers have a wide selection of tools available. They are vibration and noise dampened, and they have membrane type accumulator, heavy duty hammer housing, and durable polyurethane buffers as a standard. Automatic greasing device and idle blow protection can be selected as an option. Additionally, for special applications we offer optional hot and underwater kits.

normet XROCK®



TECHNICAL SPECIFICATION

HYDRAULIC BREAKERS

XB11

Impact rate	360-670 bpm
Tool diameter	95 mm
Noise level	128 dB

XB14

Impact rate	360-630 bpm
Tool diameter	100 mm
Noise level	128 dB

XB18

Impact rate	460-760 bpm
Tool diameter	115 mm
Noise level	127 dB

XB23

Impact rate	360-550 bpm
Tool diameter	125 mm
Noise level	130 dB

XB27

Impact rate	360-550 bpm
Tool diameter	135 mm
Noise level	129 dB

Pressure hose

- Left side
- Right side

HYDRAULIC SYSTEM

XB11

Oil flow	60-110 l/min
Operating pressure	120-130 bar
Relief pressure	190 bar
Back pressure max.	10 bar

XB14

Oil flow	70-120 l/min
Operating pressure	120-130 bar
Relief pressure	190 bar
Back pressure max.	10 bar

XB18

Oil flow	80-130 l/min
Operating pressure	130-140 bar
Relief pressure	200 bar
Back pressure max.	10 bar

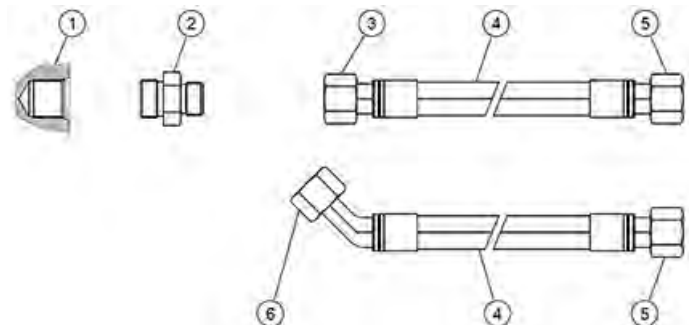
XB23

Oil flow	100-150 l/min
Operating pressure	130-140 bar
Relief pressure	200 bar
Back pressure max.	10 bar

XB27

Oil flow	120-180 l/min
Operating pressure	130-140 bar
Relief pressure	200 bar
Back pressure max.	10 bar

HOSES



- 1 Breaker port
- 2 Breaker port to hose head (nipple size)
- 3 Head of hose (breaker side)
- 4 Hose
- 5 Head of hose (excavator side)
- 6 Head of hose (breaker side)

IN HOSES	XB11	XB14	XB18	XB23	XB27
Breaker port (1)	3/4"	3/4"	3/4"	1"	1"
Nipple size (2)	3/4" - 36x2"	3/4" - 36x2"	3/4" - 36x2"	1" - 42x2"	1" - 42x2"
Head-breaker (3)	36x2"	36x2"	36x2"	42x2"	42x2"
Hose size (4)	1"	1"	1"	1"	1"
Head-Excavator (5)	*	*	*	*	*

Normet reserves the right to change this specification without further notice

Pictures may include options and additional equipment.

OUT HOSES					
	XB11	XB14	XB18	XB23	XB27
Breaker port (1)	3/4"	3/4"	1"	1"	1-1/4"
Nipple size (2)	3/4" - 36x2"	3/4" - 36x2"	1" - 36x2"	1" - 42x2"	1-1/4" - 42x2"
Head-breaker (3)	36x2"	36x2"	36x2"	42x2"	42x2"
Hose size (4)	1"	1"	1"	1"	1"
Head-Excavator (5)	*	*	*	*	*

*) The measurement depends on the excavator model

TECHNICAL DOCUMENTATION

Standard documents:

Instruction manuals, hard copy 1 pcs:

- English
- Russian
- One of destination EU languages

Spare parts manuals, hard copy 1 pcs:

- English

PDF manuals on USB-stick 1 pcs, includes instruction and spare parts manuals

Additional documentation:

- Extra hard copies of manuals
- Extra PDF manuals
- LinkOne WebView electronic manuals
- Other than standard language manuals
- Dimensional (G.A.) drawings

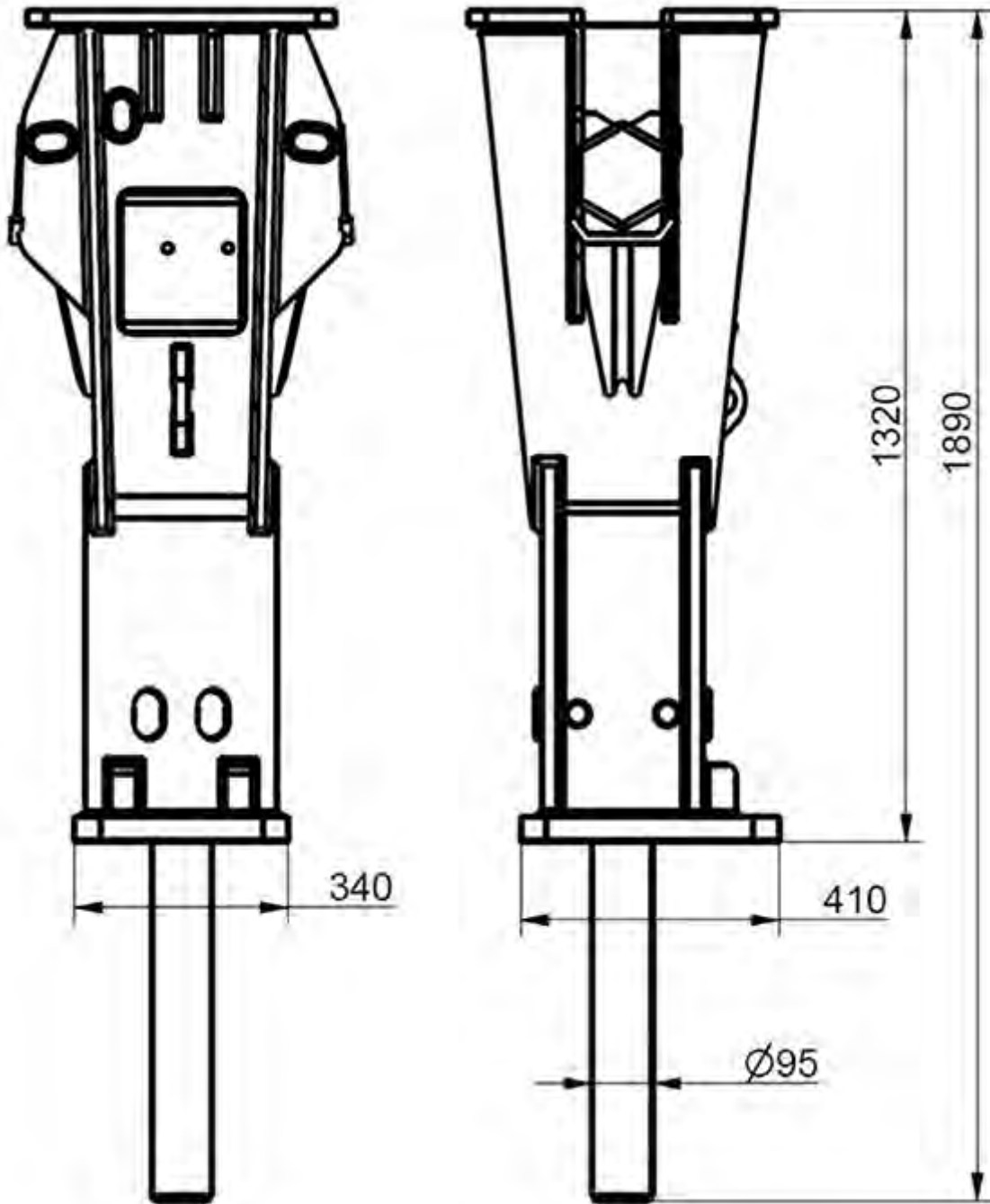
ACCESSORIES

MAIN ACCESSORIES

- Idle blow protection
- Underwater use kit
- Hot application kit

PROCESS PRODUCTIVITY

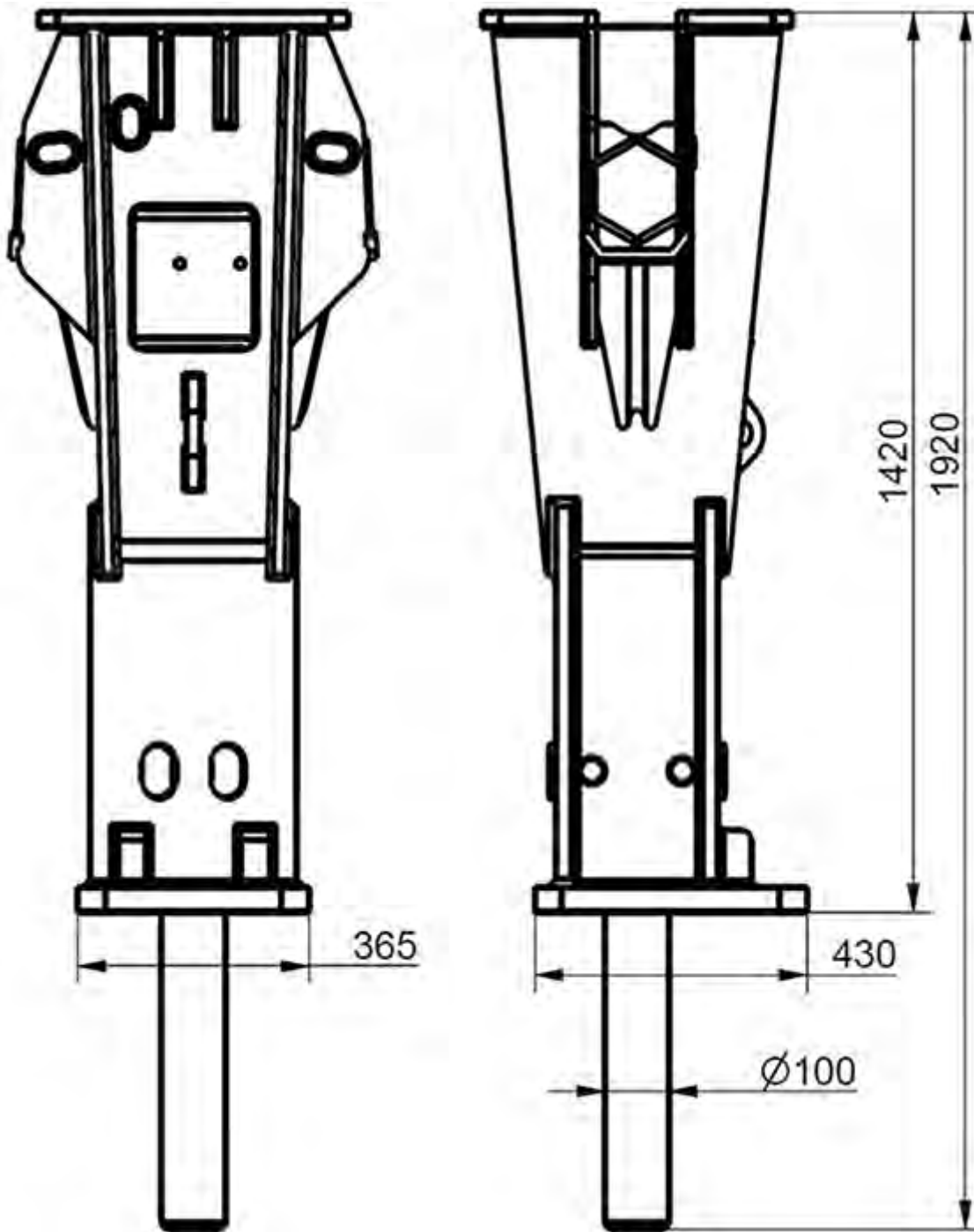
- Automatic lubrication system
- Pressurized air for keeping the dust particles out
- Two dust suppression water nozzles

DIMENSIONS**SIDE VIEW XB11**

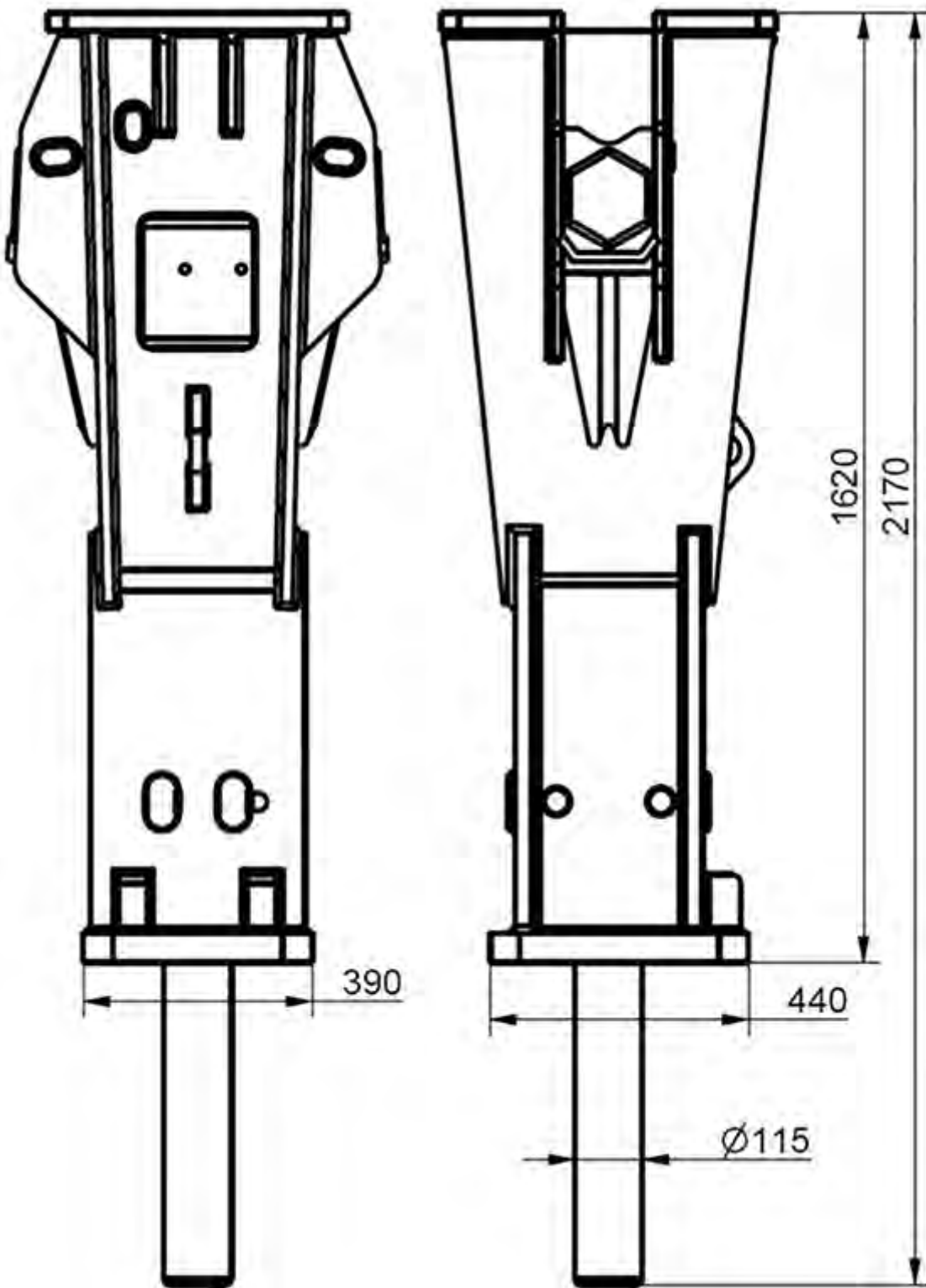
Normet reserves the right to change this specification without further notice

Pictures may include options and additional equipment.

SIDE VIEW XB14



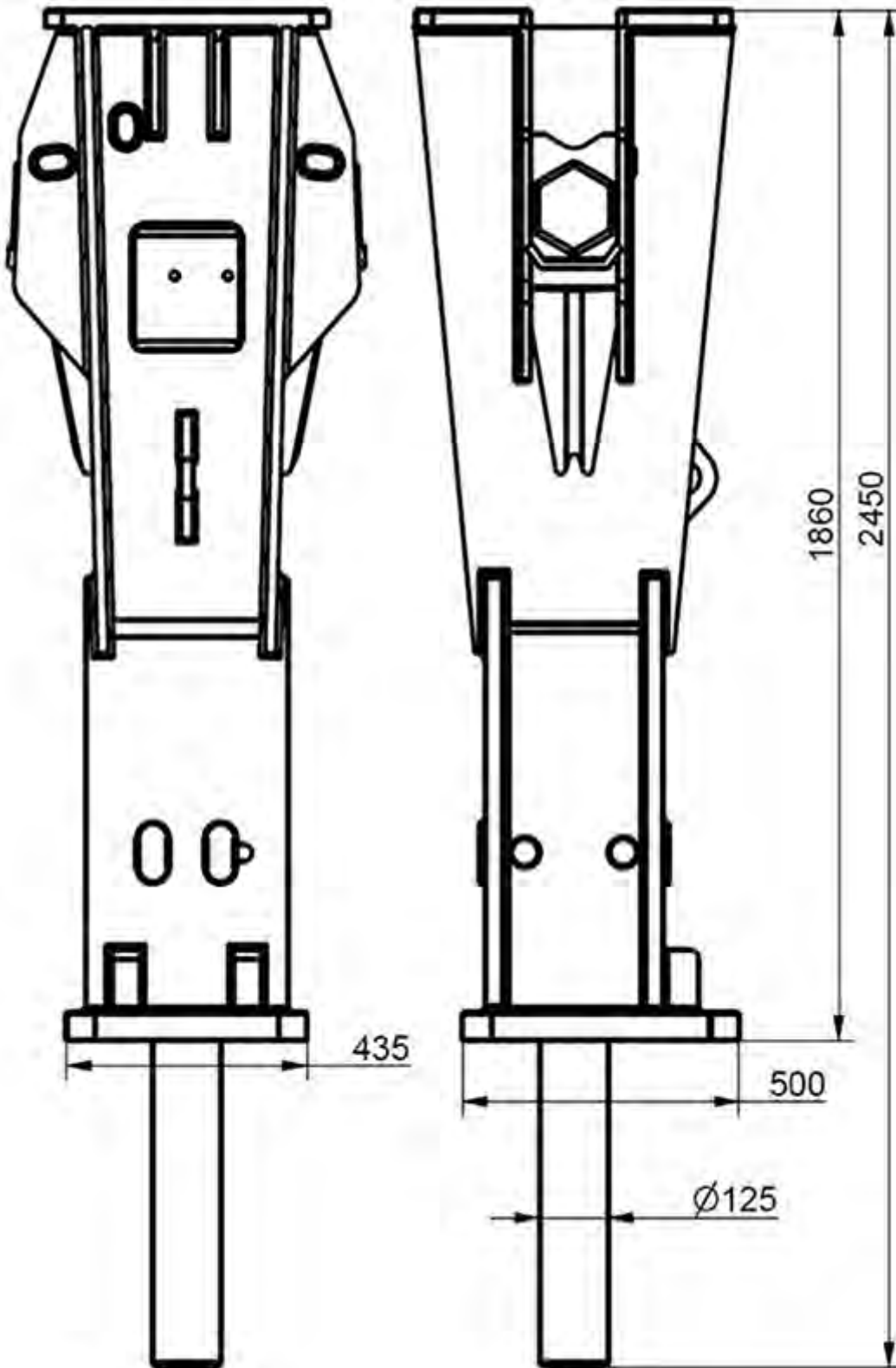
SIDE VIEW XB18



Normet reserves the right to change this specification without further notice

Pictures may include options and additional equipment.

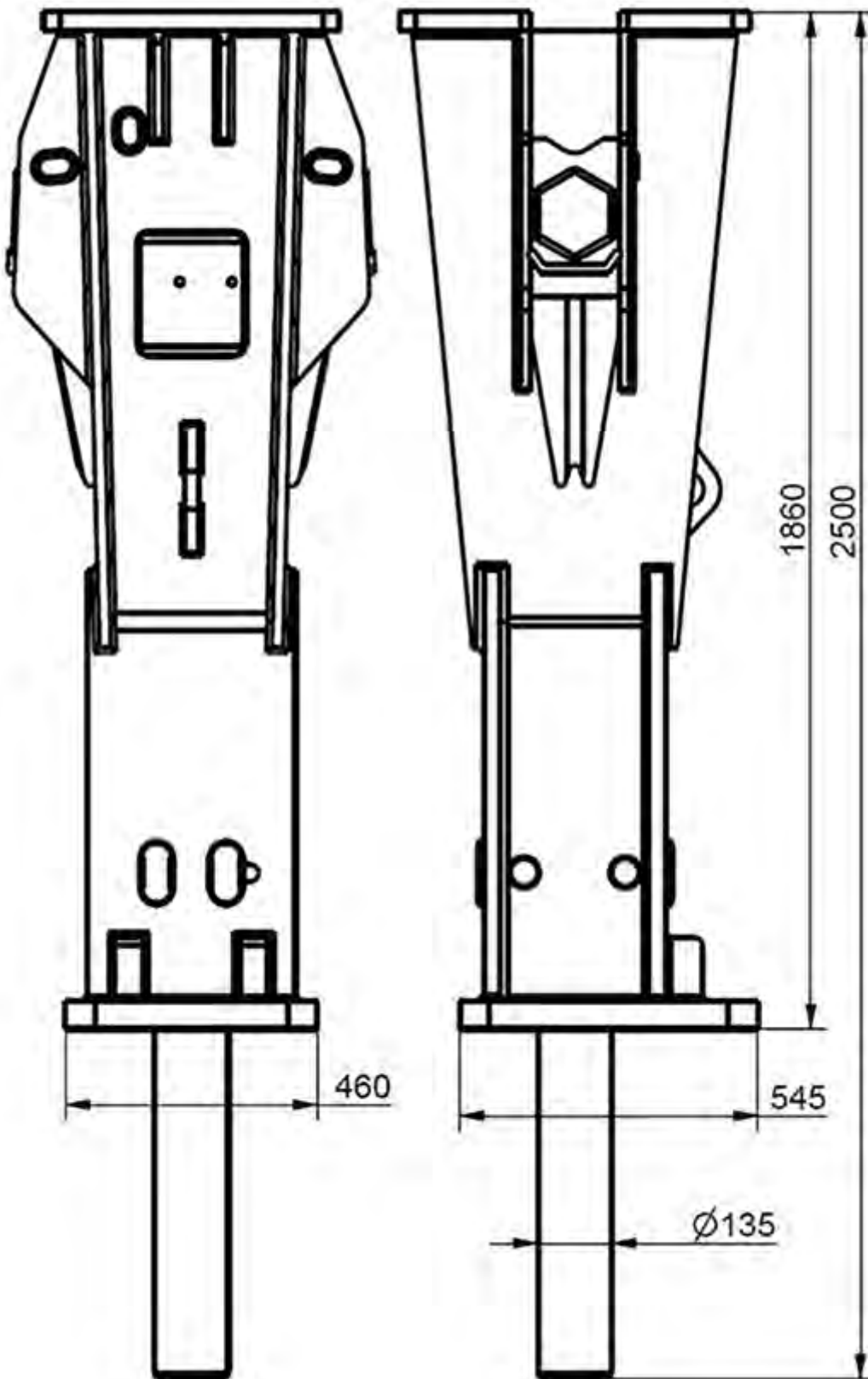
SIDE VIEW XB23



Normet reserves the right to change this specification without further notice

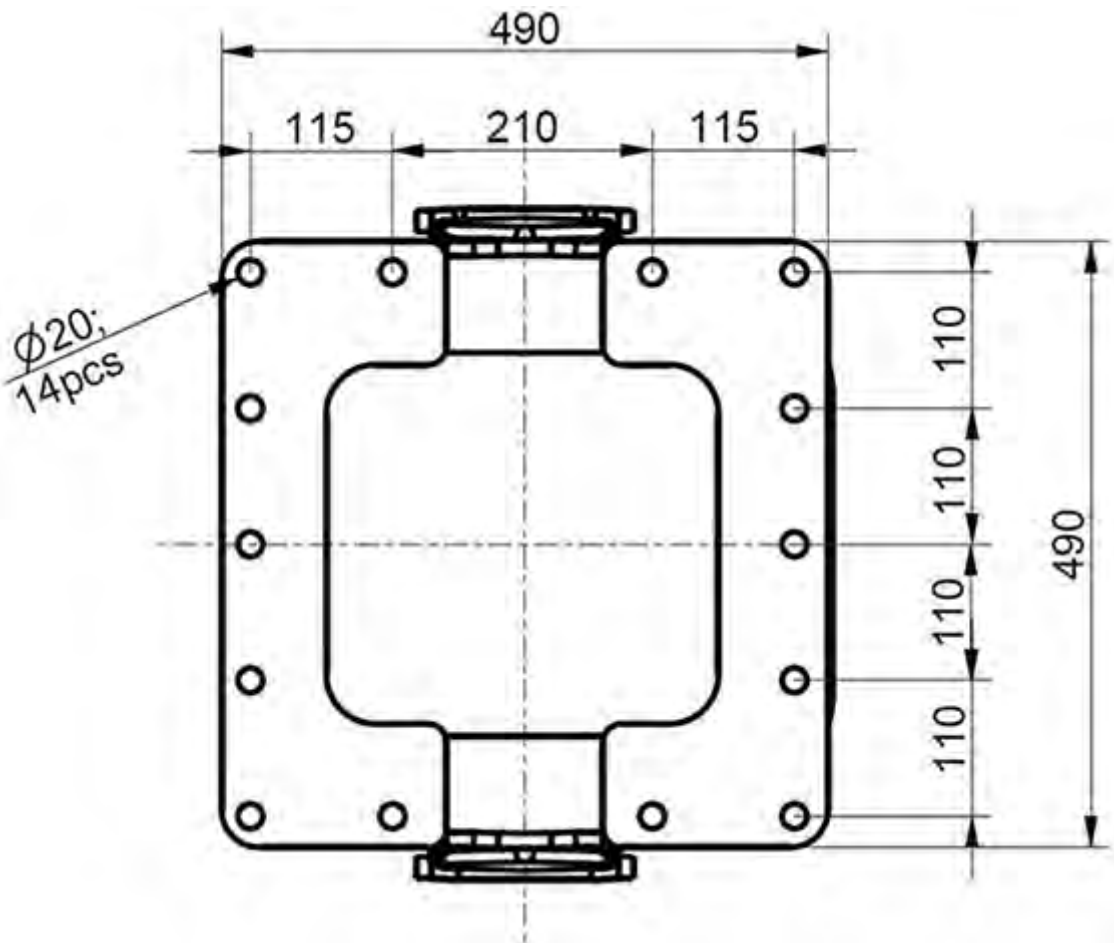
Pictures may include options and additional equipment.

SIDE VIEW XB27

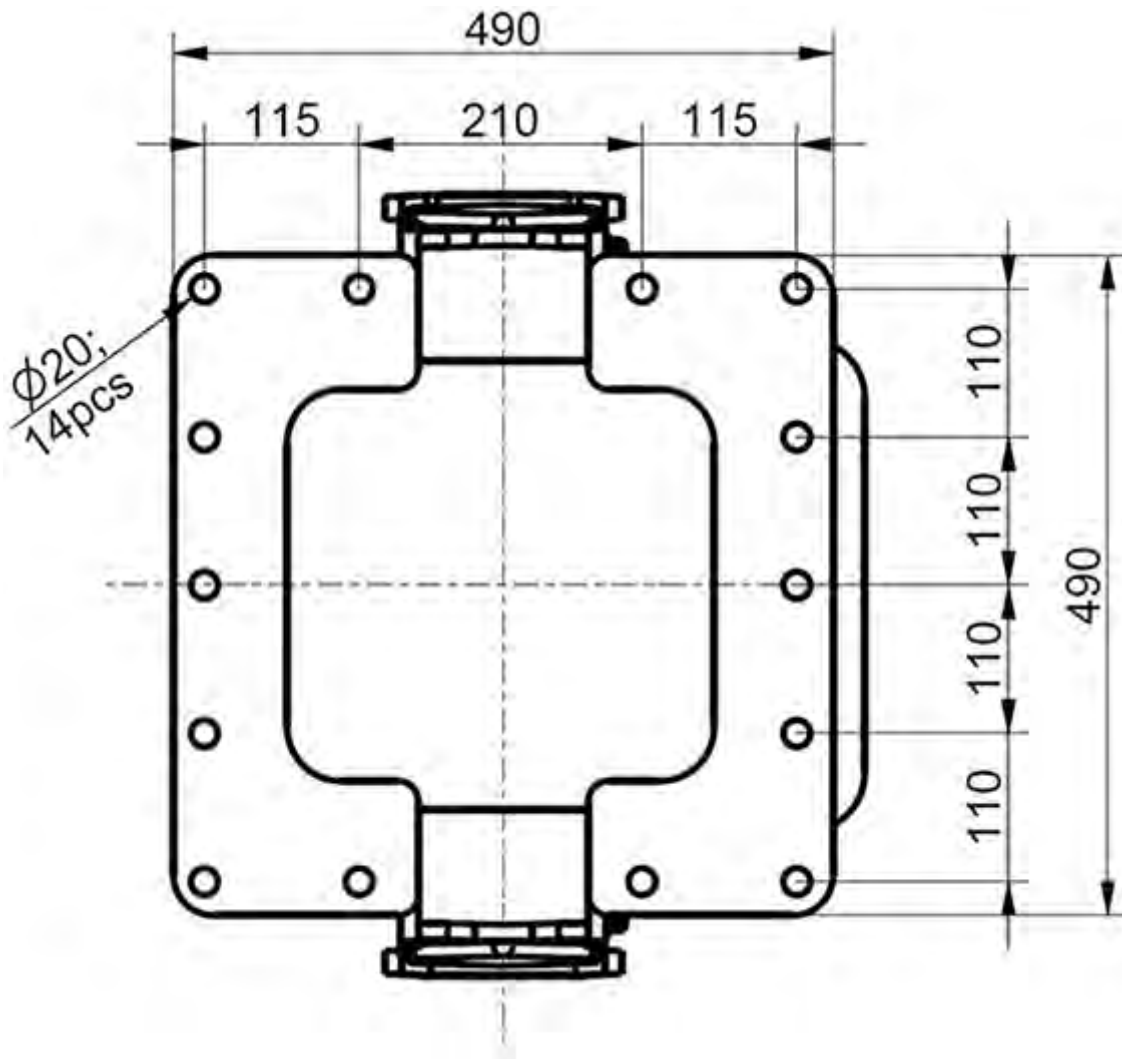


Normet reserves the right to change this specification without further notice

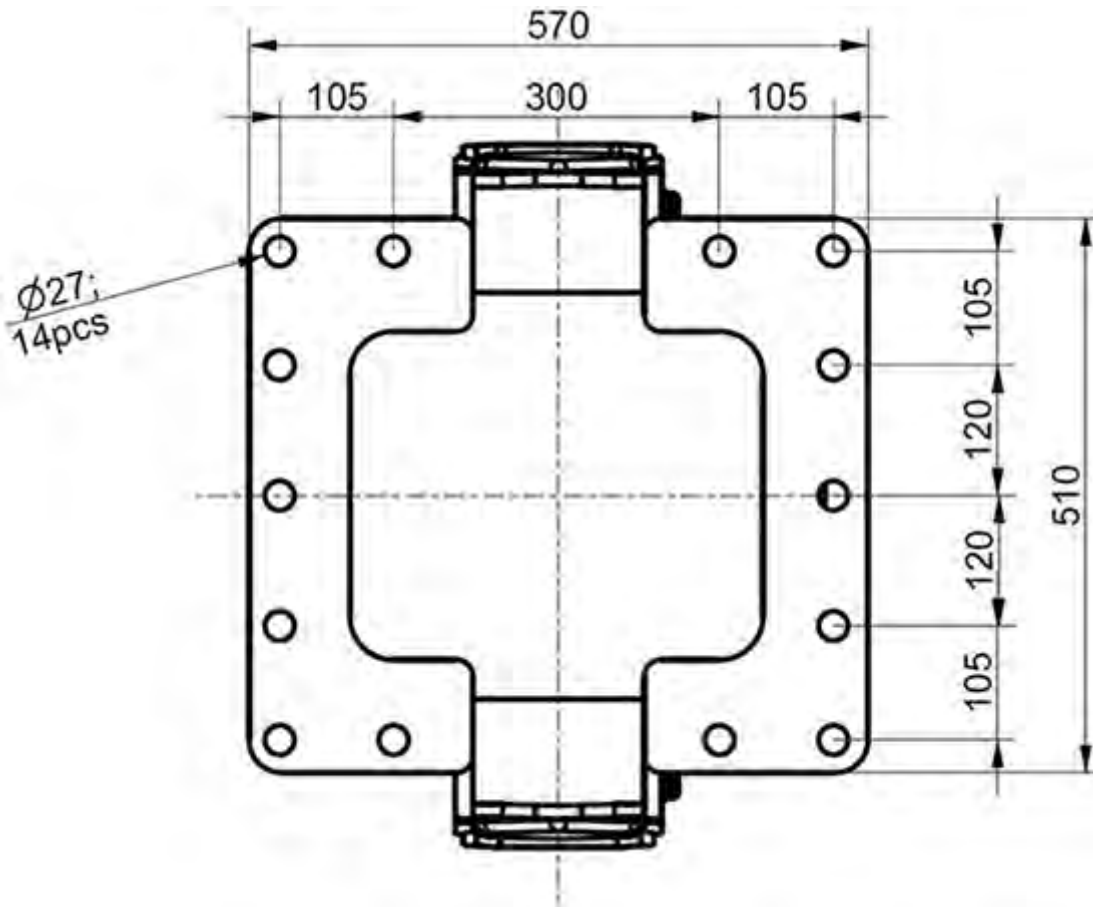
Pictures may include options and additional equipment.

TOP VIEW XB11

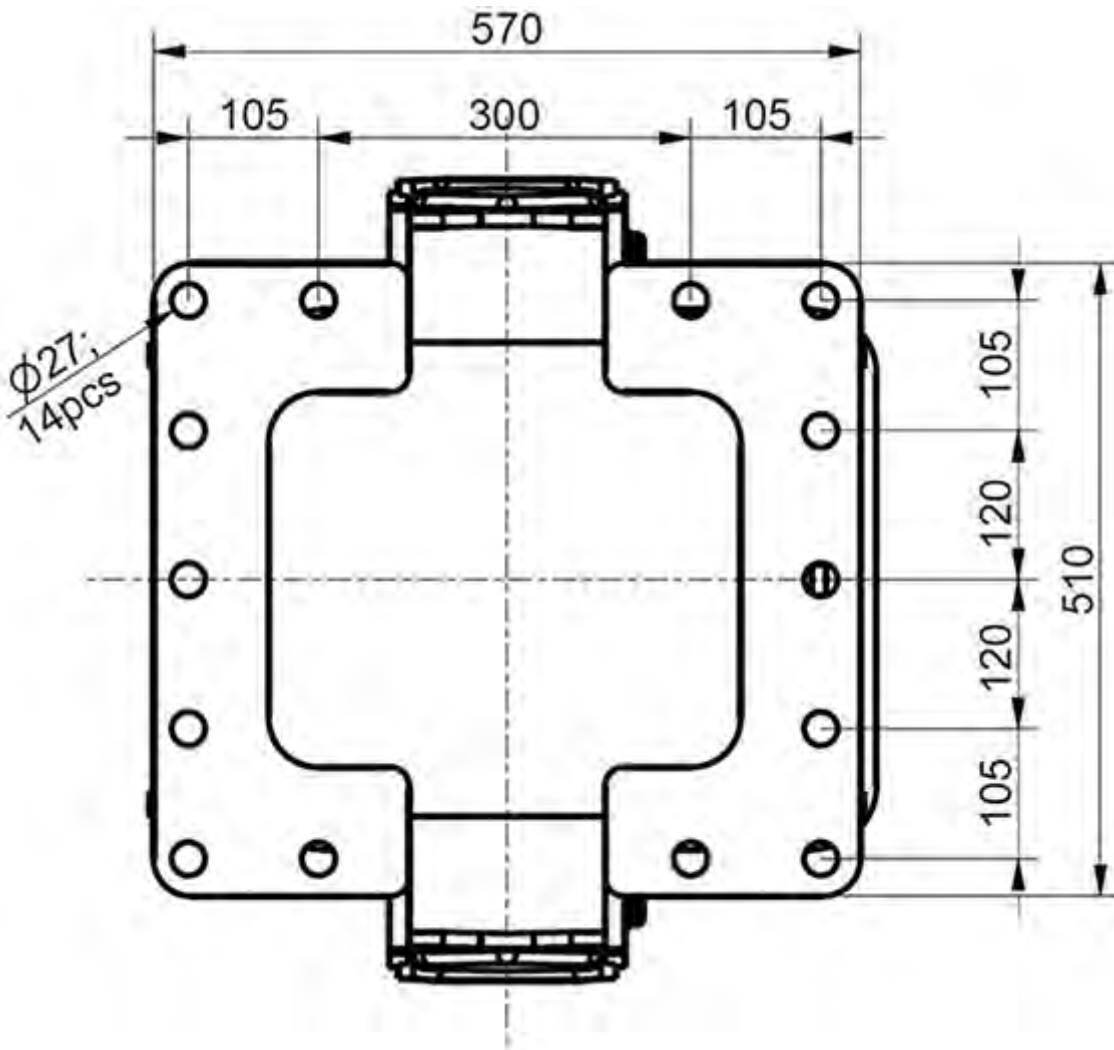
TOP VIEW XB14



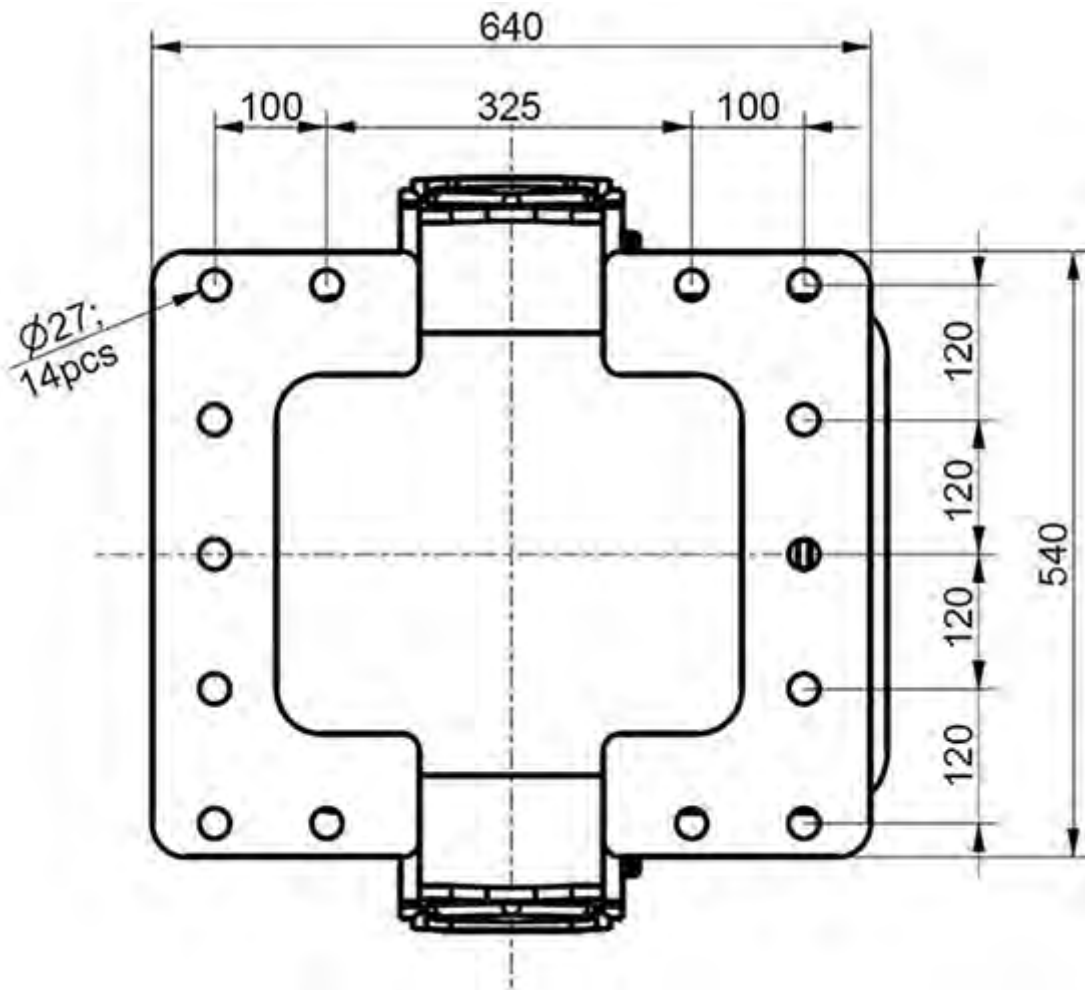
TOP VIEW XB18



TOP VIEW XB23



TOP VIEW XB27



OPERATING WEIGHT

XB11 weight	750 kg
Excavator weight	8000-14 000 kg
XB14 weight	950 kg
Excavator weight	10 000-16 000 kg
XB18 weight	1300 kg
Excavator weight	16 000-22 000 kg
XB23 weight	1650 kg
Excavator weight	18 000-25 000 kg
XB27 weight	1980 kg
Excavator weight	22 000-29 000 kg

final machine weight variate in agree with selected options

SERVICES

NORMET SERVICES

Our services cover the whole life cycle of your equipment. They include start-up and commissioning, genuine spare parts, upgrades & modifications, and remanufacturing, as well as rental and leasing offerings, and field services. We also offer improvement services such as operator training and process audits.

SPARE PARTS

Genuine parts from Normet Services ensure that you always have the highest quality parts available to keep your equipment up and running. Depending on your needs, we can offer everything from individual parts to complete parts contracts, and our professionals around the world have the experience to ensure that you have the parts you need when you need them.

Initial spare part packages:

Normet Xrock products have service kits available for commissioning, 2-year and 4-year operation and most critical parts.

UPGRADES AND MODIFICATIONS

Our Upgrades and Modifications services are designed to ensure the economical, efficient and purposeful performance of

your equipment over its entire life cycle. A service provided by a reliable OEM like Normet ensures the safety and performance of your equipment. Normet Upgrades and Modifications save you both time and money, while delivering the high quality you expect from us.

SERVICE CONTRACTS

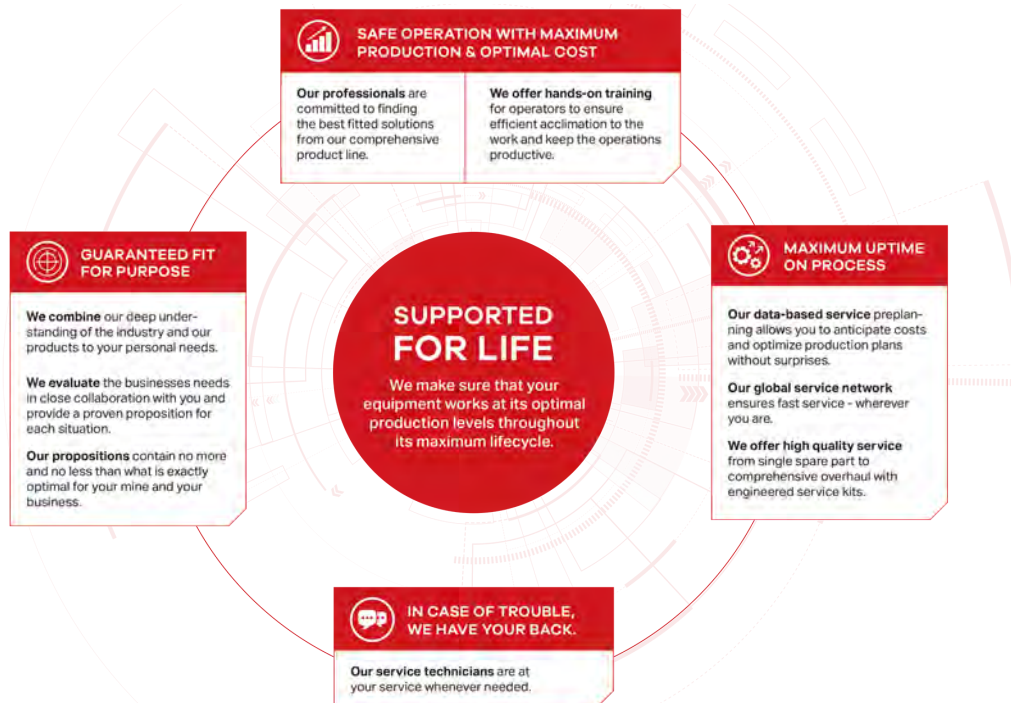
With a service agreement, Normet manages your fleet with guaranteed availability and agreed costs, giving you transparency for your life cycle costs, annual operational budget and fleet uptime. This lets you focus on your core operations. Each service agreement is built and customized to meet the individual customer's needs from our portfolio of services. Depending on the level of service agreement you need, you can choose anything from basic technical support for an individual machine all the way up to services for your entire fleet, as well as process performance. The service levels we offer are:

- Parts Availability
- Fleet Support
- Fleet Availability
- Process Performance

The content of a service level can be tailored to meet your particular requirements.

TRAINING SERVICE

Our Training Services are available for you and your operators throughout the equipment lifecycle and they include:



START-UP AND COMMISSIONING

1. OPERATOR TRAINING

	Start-up training	Commissioning
1.1 Classroom training		
General introduction and operation of machine	Basic	No classroom training included in commissioning
Safety instructions	Basic	
Use of manuals	Basic	
Technical introduction of equipment	Basic	
Hands-on service and pre-operation checks	Basic	
Controls and driving (starting, driving, stopping, parking)	Basic	
1.2 Practical training		
Pre-operation checks	Basic	Introduction
Driving, starting, stopping, parking	Basic	Introduction
Preparing the machine for specific operation conditions	Basic	Not covered
Operation	Basic	Introduction
Washing the machine	Basic	Introduction
Troubleshooting	Basic	Basic

2. MAINTENANCE AND REPAIR TRAINING

General operation of machines	Basic	Introduction
Symbols of drawings and codes	Basic	Not covered
Understanding hydraulic and electric schematics	Basic	Introduction
Control systems	Basic	Introduction
Function of main components (depending on equipment)	Basic	Introduction
Locations of components in the machine	Basic	Not covered
Periodical maintenance	Basic	Introduction
Troubleshooting	Basic	Not covered
Use of manuals	Basic	Introduction
Connection of hydraulic and electrical equipment	Basic	Not covered