



CT40 Charger

INTRODUCTION



Normet SmartDrive CT40 is state-of-the-art Finnish DC-charging trolley, which is tailor made for harsh underground conditions. The trolley does not require permanent installation and it is an ideal mobile charger for workshops and service depots. It is compatible with the CCS charging communication standard and equipped with one or two fast charging plugs (Type 2), offering output power of 40 kW.

Key features and benefits:

- Movable and equipped with robust wheels
- Weights approximately 120 kg
- Plug in use with Type 2 fast-charging connector
- 40 kW power output
- Compatible with CCS standards
- 7" touchscreen with user friendly user interface
- Future-proof technology

GENERAL ELECTRIC SPECIFICATION

Input voltage	3-phase 380 - 440 VAC +/- 10%
Input frequency	50-60 Hz
Nominal input current	63 A
Nominal input power	43.6 kVA
Power factor at full load	0.93
Efficiency at nominal output power	95%
Maximum output power	40 kW
Maximum output current	60 A
Output voltage range	200-800 VDC

ELECTRICAL PROTECTIONS

Over/under voltage, Surge protection, Short circuit, Earth leakage current, Over temperature

ENVIRONMENTAL SPECIFICATION

Operating temperature	-30°C to +40°C
Derating high temperatures	1,5%/1°C from +40-55°C
Maximum altitude	4000 masl
Altitude derating	1%/100 m above 2000 masl
Enclosure class	IP54, IK10
Humidity	<95% relative humidity
Operational noise level	<60 dB

GENERAL

DC connection standard	CCS
DC cable length	5 m
Connector type	CCS type 2
Cabinet cooling	Forced air cooled
Electrical safety	IEC 61851-1, IEC 61851-23
EMC	EN 61000-1...4

SERVICES

NORMET SERVICES

Our services cover the whole life cycle of your equipment. They include start-up and commissioning, genuine spare parts, upgrades & modifications, and remanufacturing, as well as rental and leasing offerings, and field services. We also offer improvement services such as operator training and process audits.

SPARE PARTS

Genuine parts from Normet Services ensure that you always have the highest quality parts available to keep your equipment up and running. Depending on your needs, we can offer everything from individual parts to complete parts contracts, and our professionals around the world have the experience to ensure that you have the parts you need when you need them.

Initial spare parts package:

Available for 1000h of use*. Includes periodical service, most common wearing parts and most critical safety parts.

Spare parts packages made for customer needs:

Available based on hours of use*. Includes periodical service, most common wearing parts and most critical safety parts.

* Recommendations are based on average hours – can vary a lot depending on work site conditions.

UPGRADES AND MODIFICATIONS

Our Upgrades and Modifications services are designed to ensure the economical, efficient and purposeful performance of your equipment over its entire life cycle. A service provided by a reliable OEM like Normet ensures the safety and performance of your equipment. Normet Upgrades and Modifications save you both time and money, while delivering the high quality you expect from us.

SERVICE CONTRACTS



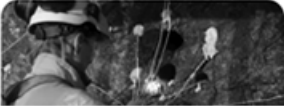

With a service agreement, Normet manages your fleet with guaranteed availability and agreed costs, giving you transparency for your life cycle costs, annual operational budget and fleet uptime. This lets you focus on your core operations. Each service agreement is built and customized to meet the individual customer's needs from our portfolio of services. Depending on the level of service agreement you need, you can choose anything from basic technical support for an individual machine all the way up to services for your entire fleet, as well as process performance. The service levels we offer are:

- Parts Availability
- Fleet Support
- Fleet Availability
- Process Performance

The content of a service level can be tailored to meet your particular requirements.

TRAINING SERVICE

Our Training Services are available for you and your operators throughout the equipment lifecycle and they include:

	 Operation & Maintenance	 Spraying	 Charging	 Scaling
ADVANCED	Advanced fault diagnostics & troubleshooting	Concrete chemicals, testing and preparing for EFNARC-certificate test	-	-
INTERMEDIATE	Troubleshooting training Foundations of electrics, hydraulics and mechanics NorSmart	Advanced training in concrete spraying Economics of concrete spraying	Advanced training in explosives Economics of charging	Advanced training in scaling Economics of scaling
BASIC	Operation and Maintenance Training Basic Product Training	Basic understanding of concrete spraying	Basic understanding of charging	Basic understanding of scaling
LEVEL	SERVICE	PROCESS KNOWLEDGE		

START-UP AND COMMISSIONING

1. OPERATOR TRAINING

	Start-up training	Commissioning
1.1 Classroom training		
General introduction and operation of machine	Basic	No classroom training included in commissioning
Safety instructions	Basic	
Use of manuals	Basic	
Technical introduction of equipment	Basic	
Hands-on service and pre-operation checks	Basic	
Controls and driving (starting, driving, stopping, parking)	Basic	
1.2 Practical training		
Pre-operation checks	Basic	Introduction
Driving, starting, stopping, parking	Basic	Introduction
Preparing the machine for specific operation conditions	Basic	Not covered
Operation	Basic	Introduction
Washing the machine	Basic	Introduction
Troubleshooting	Basic	Basic

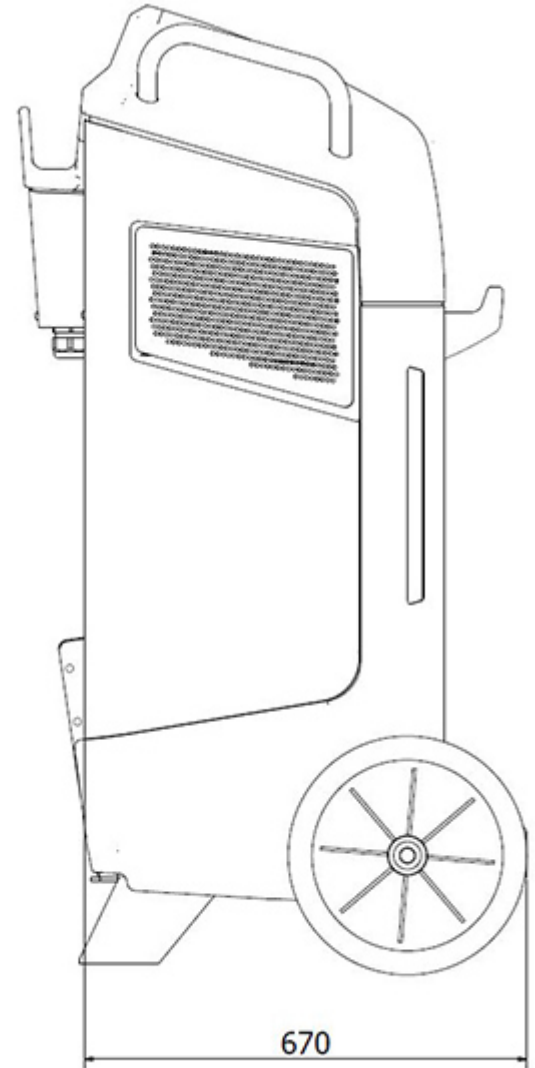
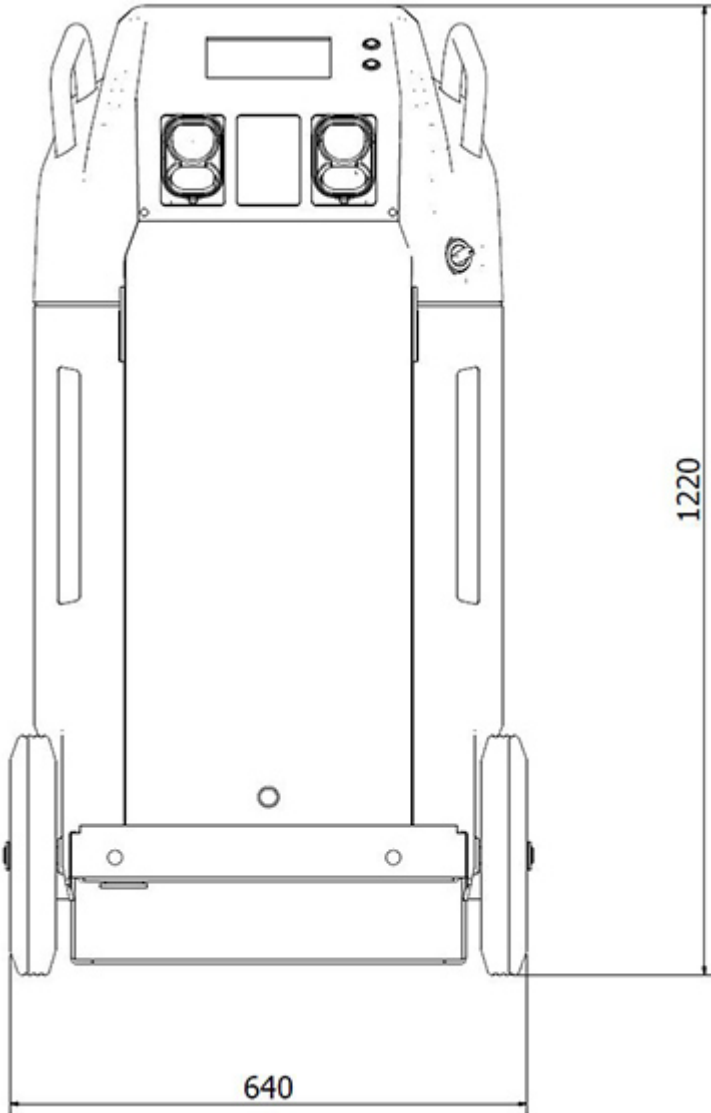
2. MAINTENANCE AND REPAIR TRAINING

General operation of machines	Basic	Introduction
Symbols of drawings and codes	Basic	Not covered
Understanding hydraulic and electric schematics	Basic	Introduction
Control systems	Basic	Introduction
Function of main components (depending on equipment)	Basic	Introduction
Locations of components in the machine	Basic	Not covered
Periodical maintenance	Basic	Introduction
Troubleshooting	Basic	Not covered
Use of manuals	Basic	Introduction
Connection of hydraulic and electrical equipment	Basic	Not covered

DIMENSIONS

Height	1220 mm	Depth	670 mm
Width	640 mm	Weight (estimated without cables)	122 kg

MECHANICAL DRAWINGS



Normet reserves the right to change this specification without further notice

Pictures may include options and additional equipment.