

Door switches with warning signal

Ventilation



Insulated interior

Tie down points inside compartment

Wide Door access

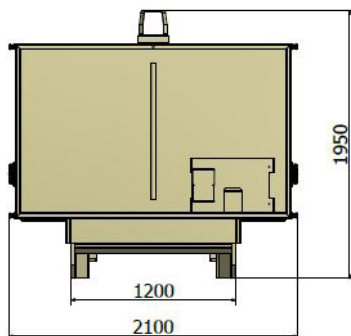
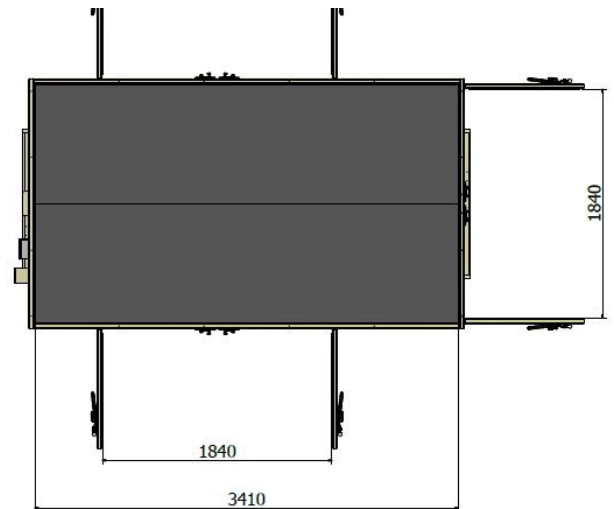
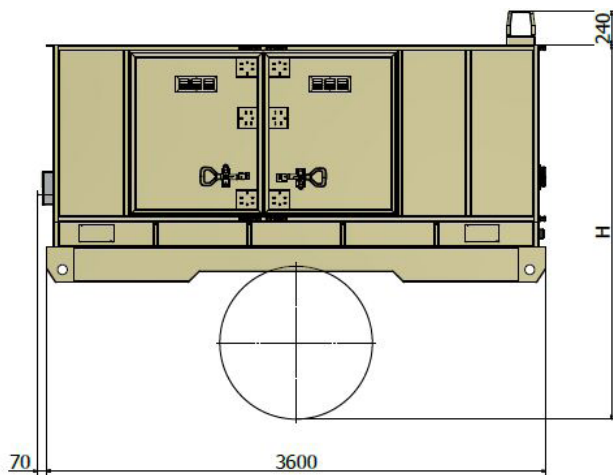
## TECHNICAL SPECIFICATION

Capacity	6000 kg
Compartment inner dimensions	3410 x 1900 x 1200 mm
Rubber insulated cargo space	
Door switches with warning signal	
Hand held fire extinguisher	6 kg

## ACCESSORIES

- Smoke detector
- Additional warning signal for door and smoke monitoring

## DIMENSIONAL DRAWINGS



## DIMENSIONS

Length	3670 mm
Width	2100 mm
Height	1950 mm
Height (H) with MF	2460 mm

## WEIGHT

Empty	2300 kg
Load capacity	6000 kg

Normet reserves the right to change this specification without further notice.