



Hydraulic Breakers L-Range



Normet reserves the right to change this specification without further notice

Pictures may include options and additional equipment.

INTRODUCTION

Normet Xrock Breakers are made for professional use for excavators from 4 ton up to 120 ton. Breakers can be used on all common applications and tailored for special applications such as underwater jobs and extreme, hot applications. A diverse selection of breakers with small weight differences between 335 kg and 7250 kg ensure perfect match on every carrier.

L-RANGE

L-range is the biggest range in Normet Xrock breaker offering, consisting of seven breakers designed for applications such as quarrying and mining, urban and infrastructure works, tunnelling and demolition. Their working weights vary from 2020 kg to 7250 kg, meant for excavators from 23 ton up to 120 ton. All L-range hammers have a wide selection of tools available. They are vibration and noise dampened, and they have membrane type accumulator, heavy duty hammer housing with extra Har-dox wear parts, durable polyurethane buffers, and advanced idle blow protection as a standard. Automatic greasing device can be selected as an option. Additionally, for special applications we offer optional hot and underwater kits.

normet
XROCK®

TECHNICAL SPECIFICATION

HYDRAULIC BREAKERS

XB32

Impact rate	340-560 bpm
Tool diameter	145 mm
Noise level	135 dB

XB36

Impact rate	380-550 bpm
Tool diameter	150 mm
Noise level	132 dB

XB45

Impact rate	370-490 bpm
Tool diameter	160 mm
Noise level	130 dB

XB56

Impact rate	315-520 bpm
Tool diameter	175 mm
Noise level	129 dB

XB66

Impact rate	300-430 bpm
Tool diameter	190 mm
Noise level	130 dB

XB102

Impact rate	280-410 bpm
Tool diameter	210 mm
Noise level	128 dB

Pressure hose

- Left side
- Right side

HYDRAULIC SYSTEM

XB32

Oil flow	155-220 l/min
Operating pressure	130-140 bar
Relief pressure	210 bar
Back pressure max.	10 bar

XB36

Oil flow	185-240 l/min
Operating pressure	135-145 bar
Relief pressure	210 bar
Back pressure max.	10 bar

XB45

Oil flow	200-260 l/min
Operating pressure	135-145 bar
Relief pressure	210 bar
Back pressure max.	10 bar

XB56

Oil flow	175-280 l/min
Operating pressure	130-140 bar
Relief pressure	210 bar
Back pressure max.	10 bar

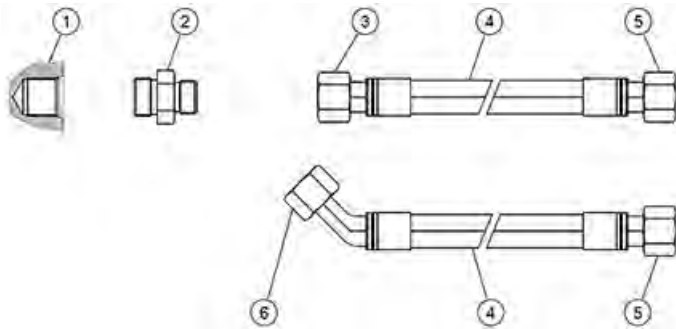
XB66

Oil flow	215-300 l/min
Operating pressure	130-140 bar
Relief pressure	210 bar
Back pressure max.	10 bar

XB102

Oil flow	245-350 l/min
Operating pressure	140-150 bar
Relief pressure	210 bar
Back pressure max.	10 bar

HOSES



- 1 Breaker port
- 2 Breaker port to hose head (nipple size)
- 3 Head of hose (breaker side)
- 4 Hose
- 5 Head of hose (excavator side)
- 6 Head of hose (breaker side)

IN HOSES						
	XB32	XB36	XB45	XB56	XB66	XB102
1	1"	1"	1"	1-1/4"	1-1/4"	1-1/2"
2	1" - 42x2"	1" - 42x2"	1" - 42x2"	1-1/4" - 42x2"	1-1/4" - 42x2"	1-1/2" - 1-1/2"
3	42x2"	42x2" (45°) (6)	42x2"	42x2"	42x2"	1-1/2"
4	1"	1"	1"	1"	1"	1-1/2"
5	*	*	*	*	*	*

OUT HOSES						
	XB32	XB36	XB45	XB56	XB66	XB102
1	1-1/4"	1-1/4"	1-1/4"	1-1/4"	1-1/4"	2"
2	1-1/4" - 42x2"	1-1/4" - 42x2"	1-1/4" - 42x2"	1-1/4" - 42x2"	1-1/4" - 42x2"	2"-2"
3	42x2"	42x2" (45°) (6)	42x2"	42x2"	42x2"	2"
4	1-1/4"	1-1/4"	1-1/4"	1-1/4"	1-1/4"	2"
5	*	*	*	*	*	*

*) The measurement depends on the excavator model

TECHNICAL DOCUMENTATION

Standard documents:

Instruction manuals, hard copy 1 pcs:

- English
- Russian
- One of destination EU languages

Spare parts manuals, hard copy 1 pcs:

- English

PDF manuals on USB-stick 1 pcs, includes instruction and spare parts manuals

Additional documentation:

- Extra hard copies of manuals
- Extra PDF manuals
- LinkOne WebView electronic manuals
- Other than standard language manuals
- Dimensional (G.A.) drawings

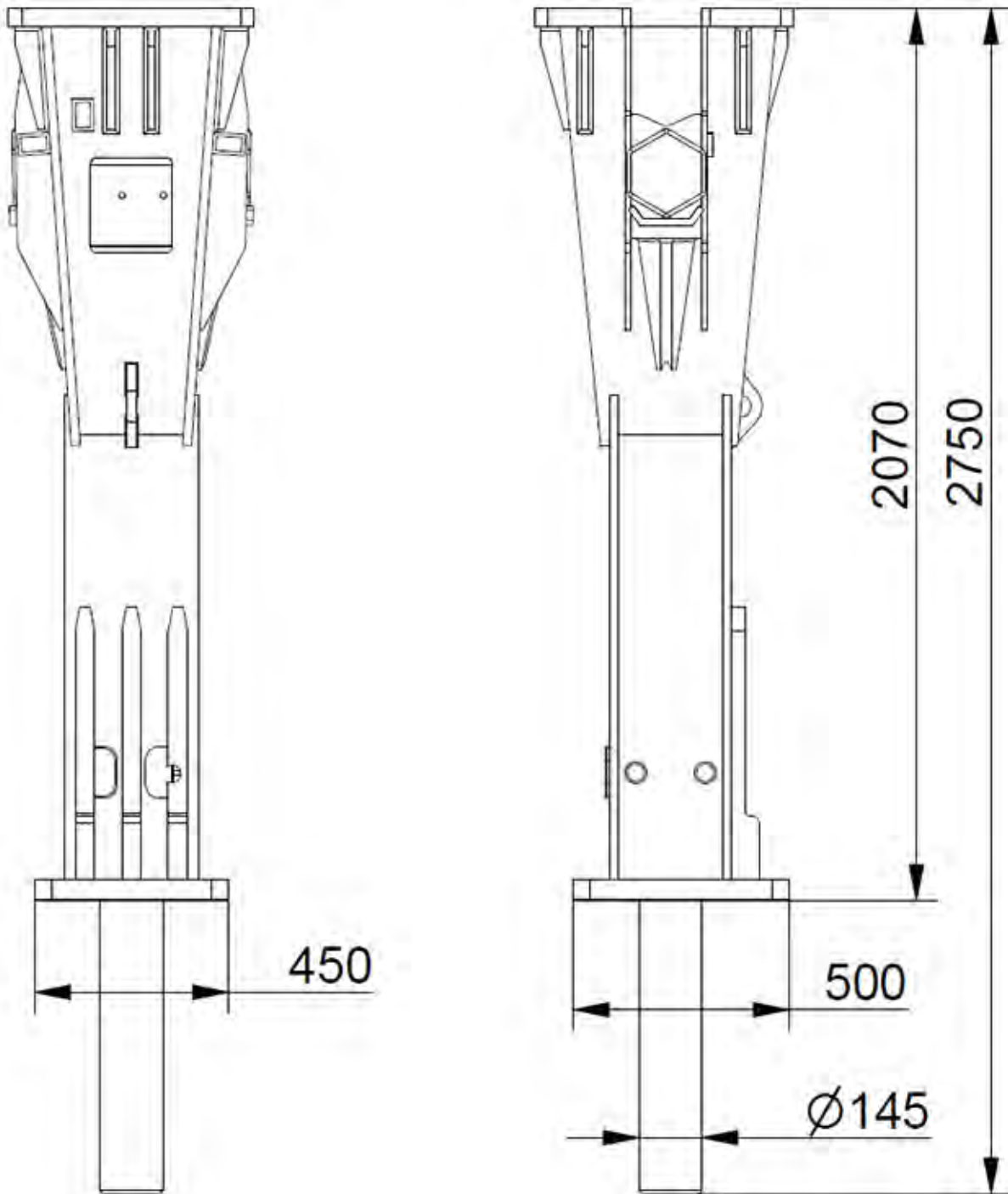
ACCESSORIES

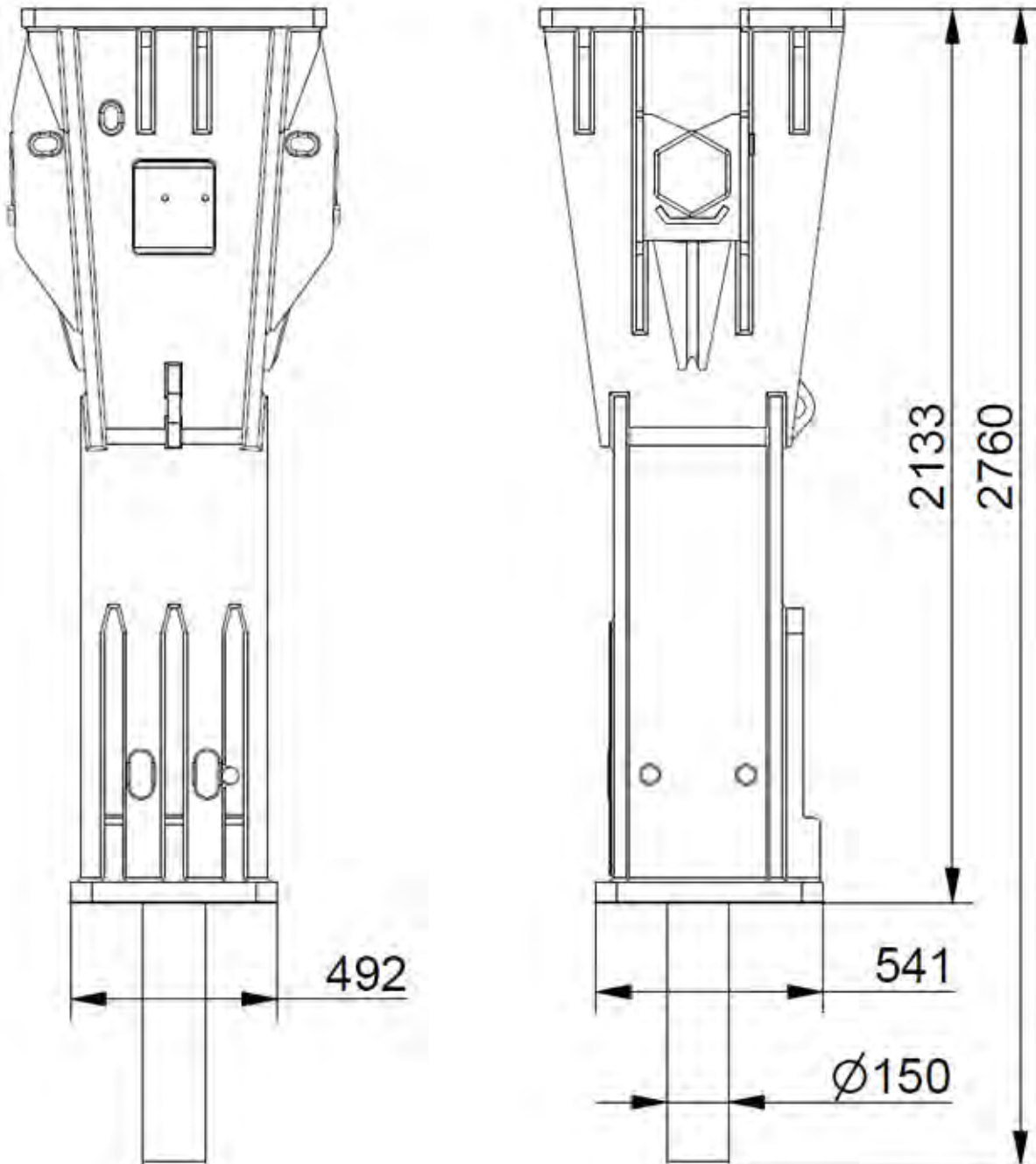
MAIN ACCESSORIES

- Underwater use kit
- Hot application kit

PROCESS PRODUCTIVITY

- Automatic lubrication system

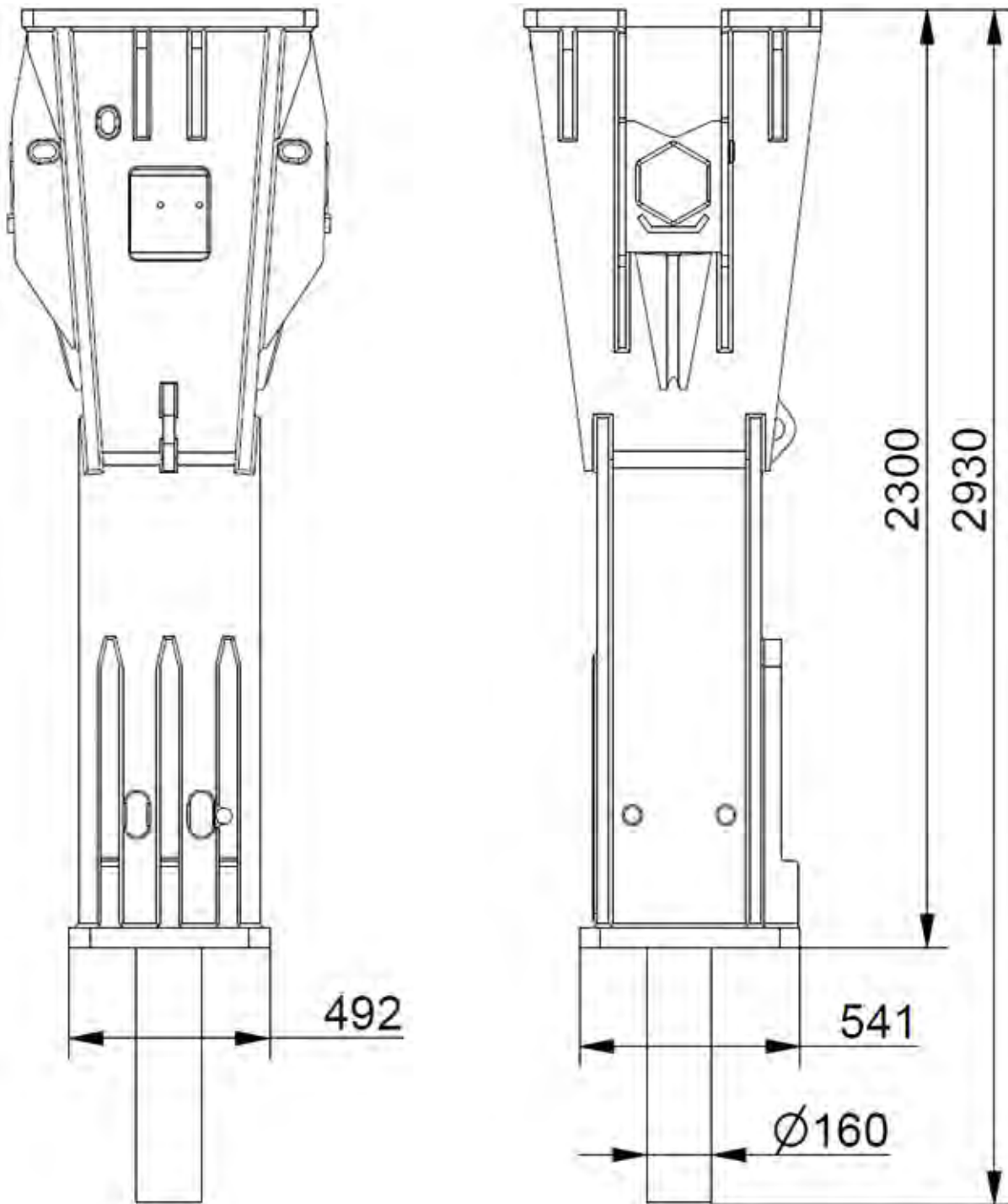
DIMENSIONS**SIDE VIEW XB32**

SIDE VIEW XB36

Normet reserves the right to change this specification without further notice

Pictures may include options and additional equipment.

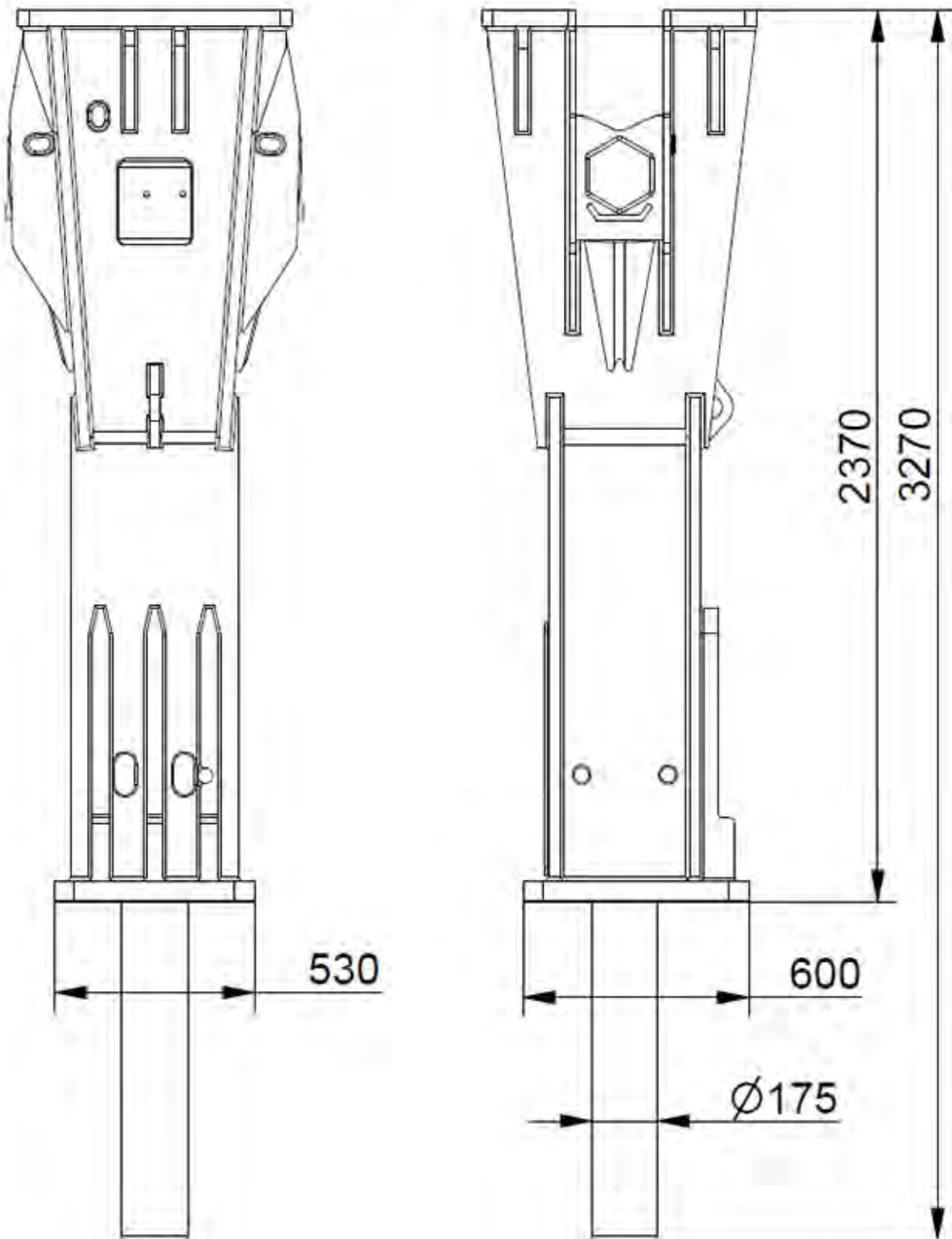
SIDE VIEW XB45



Normet reserves the right to change this specification without further notice

Pictures may include options and additional equipment.

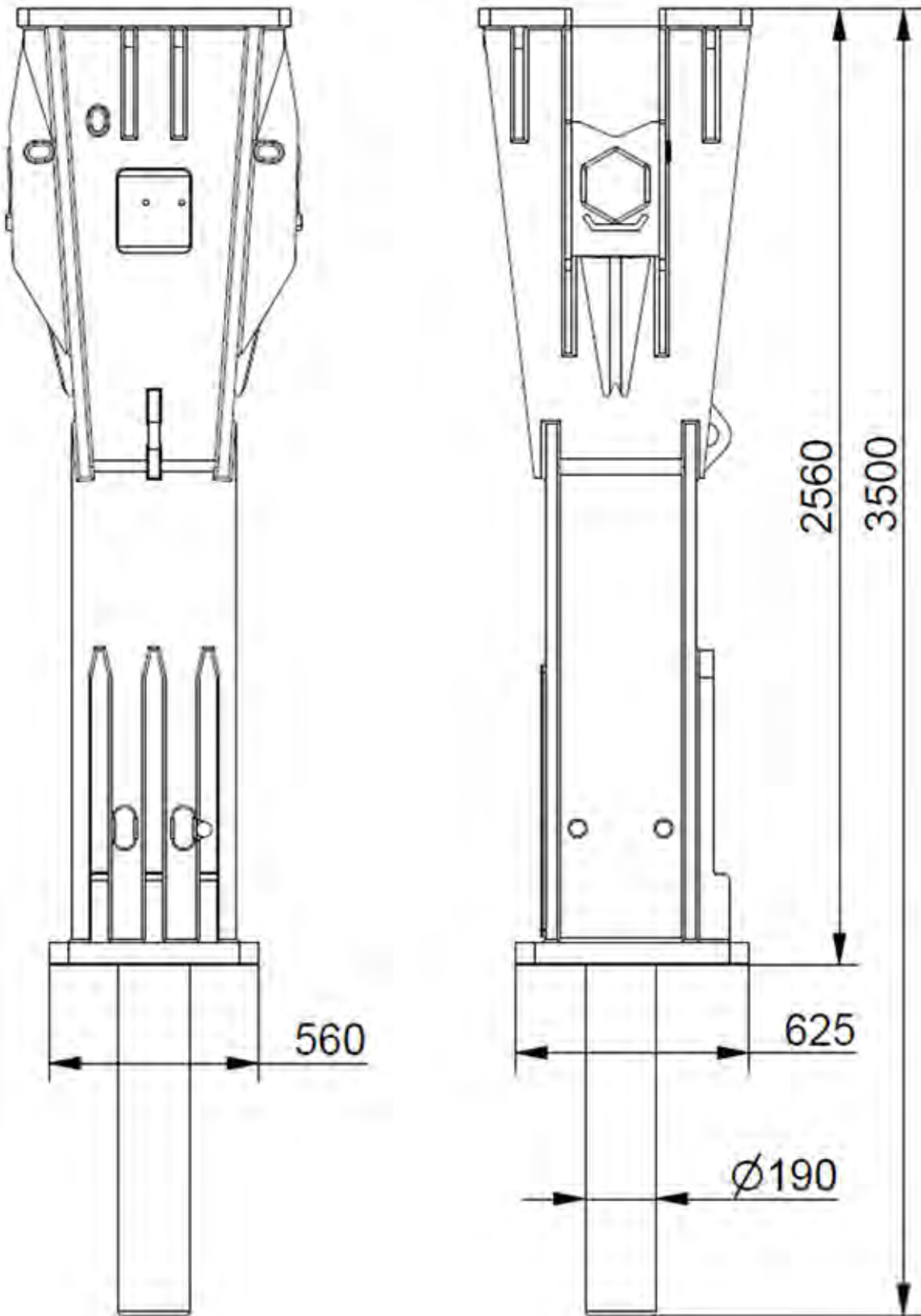
SIDE VIEW XB56



Normet reserves the right to change this specification without further notice

Pictures may include options and additional equipment.

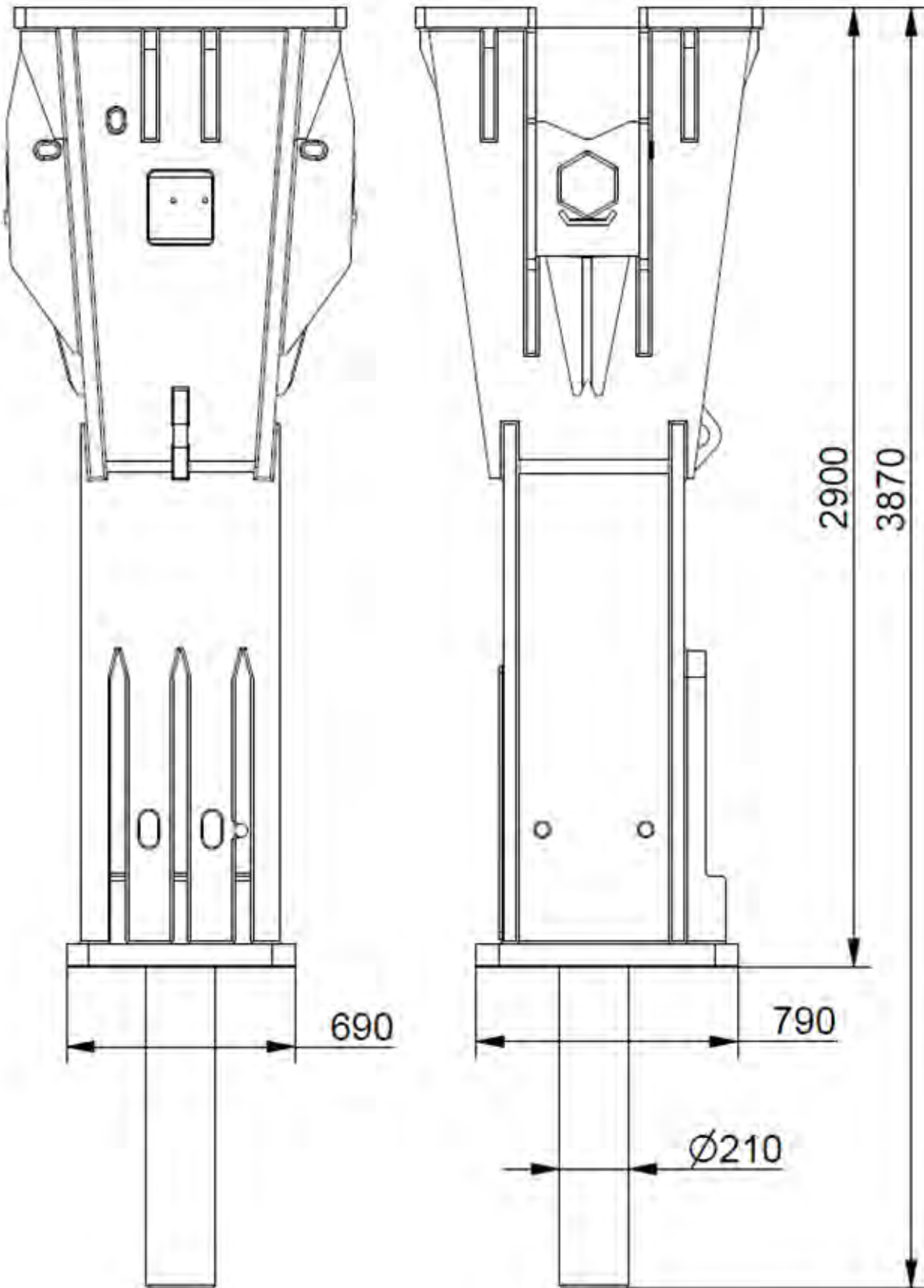
SIDE VIEW XB66



Normet reserves the right to change this specification without further notice

Pictures may include options and additional equipment.

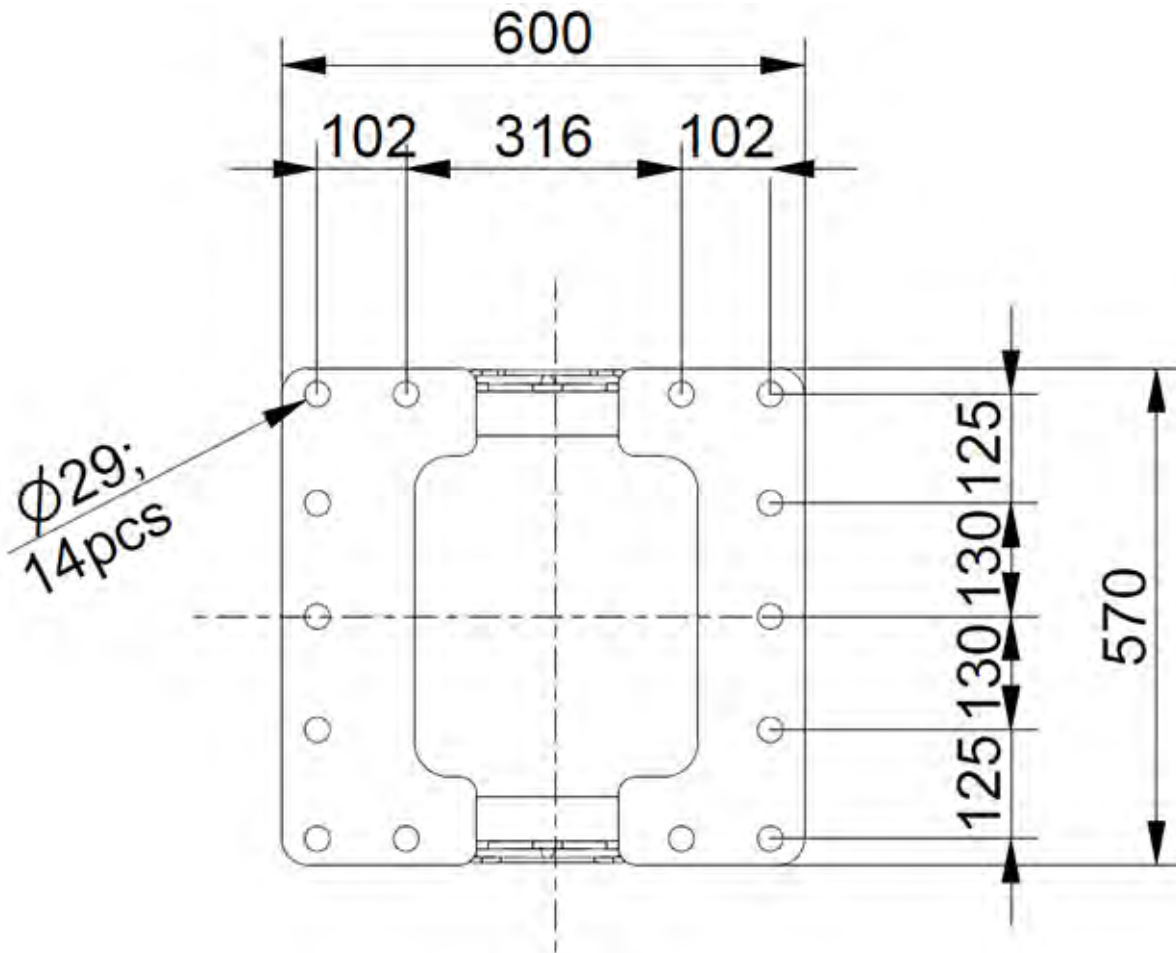
SIDE VIEW XB102



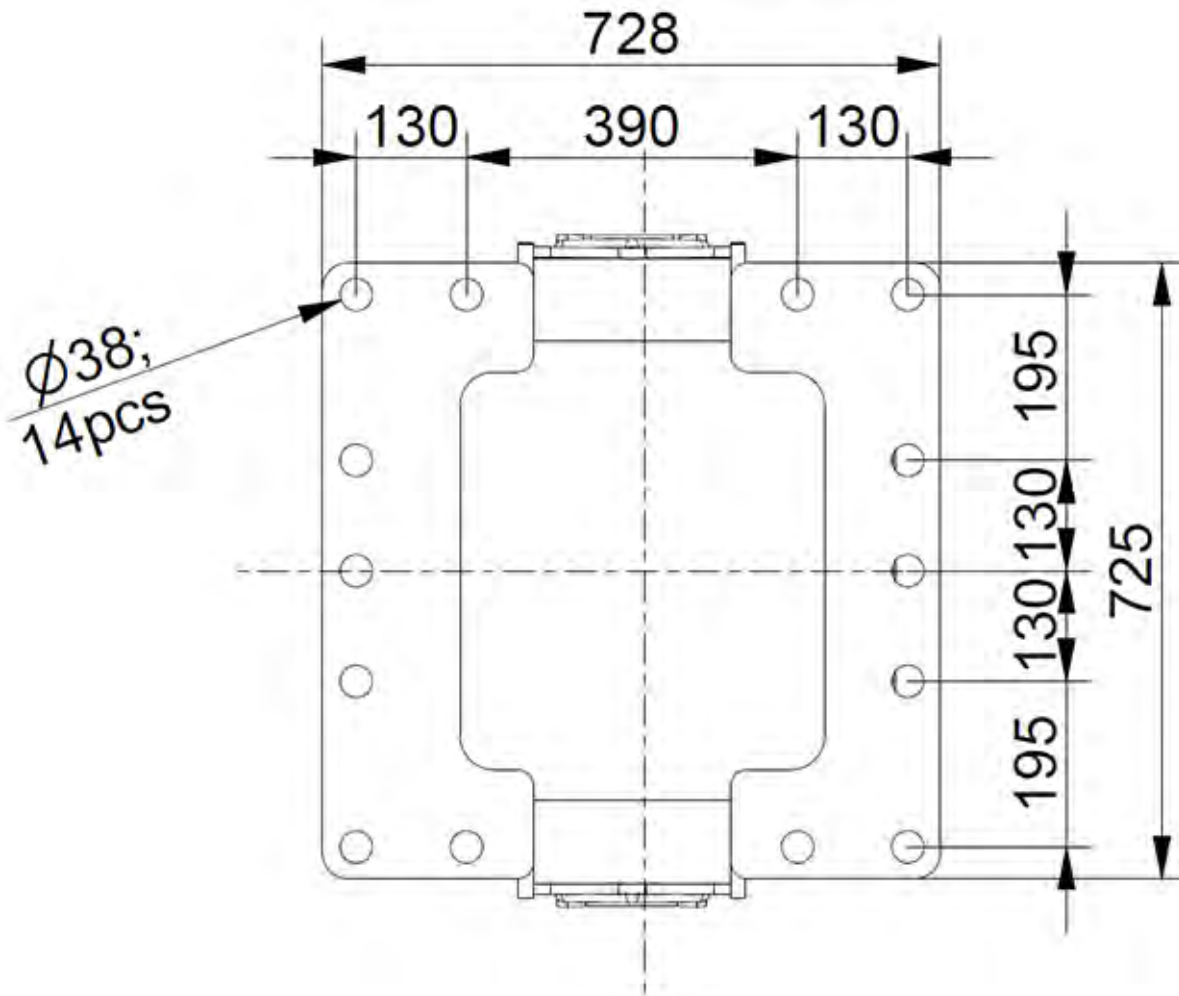
Normet reserves the right to change this specification without further notice

Pictures may include options and additional equipment.

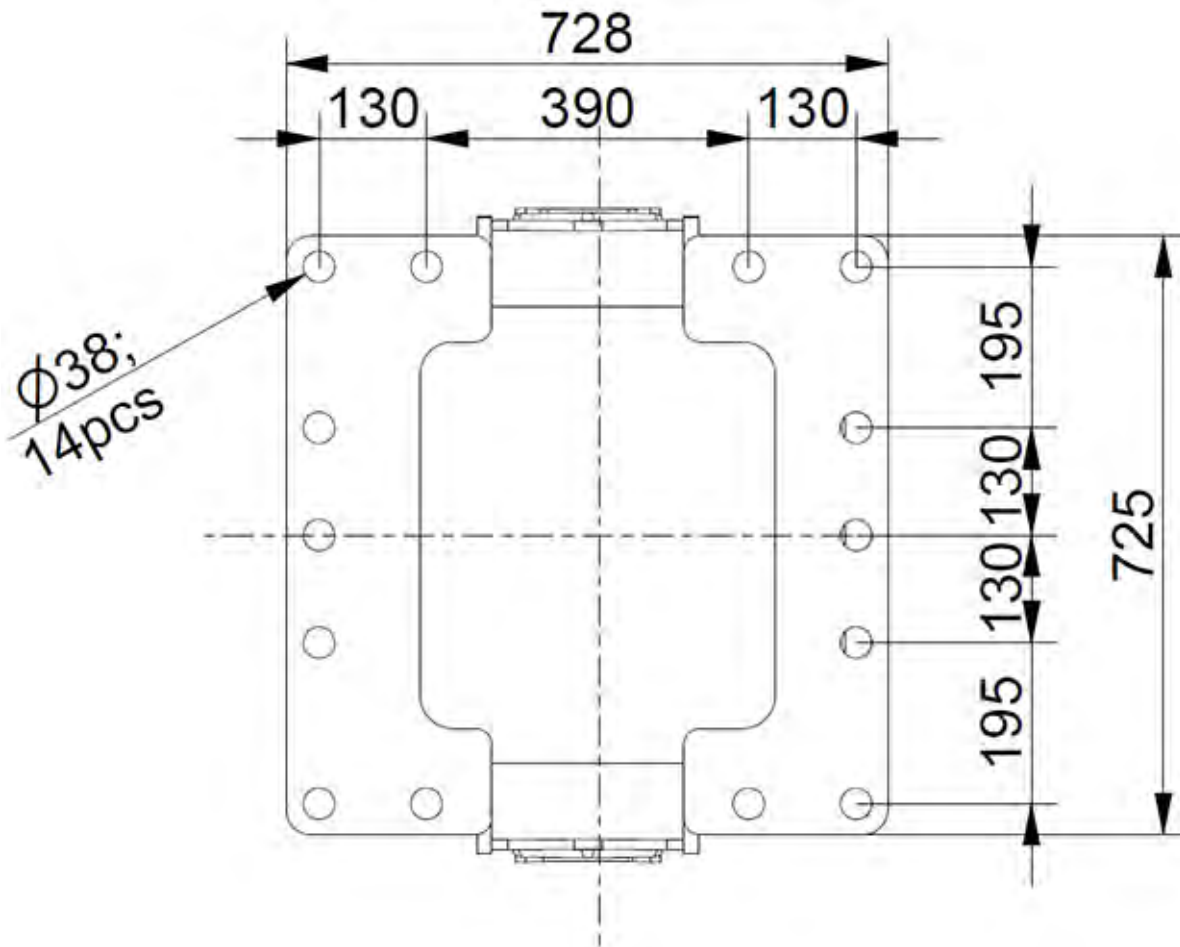
TOP VIEW XB32



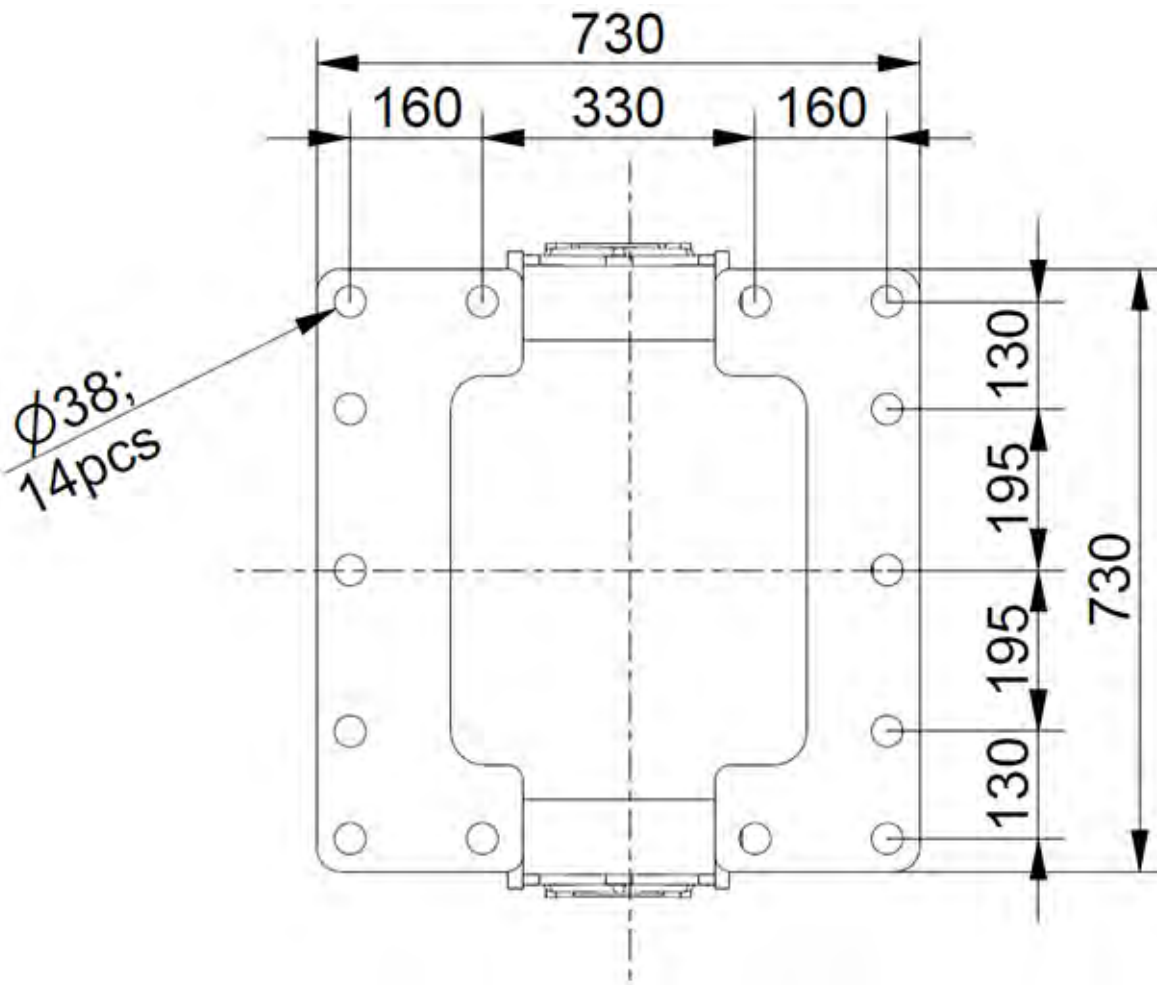
TOP VIEW XB36



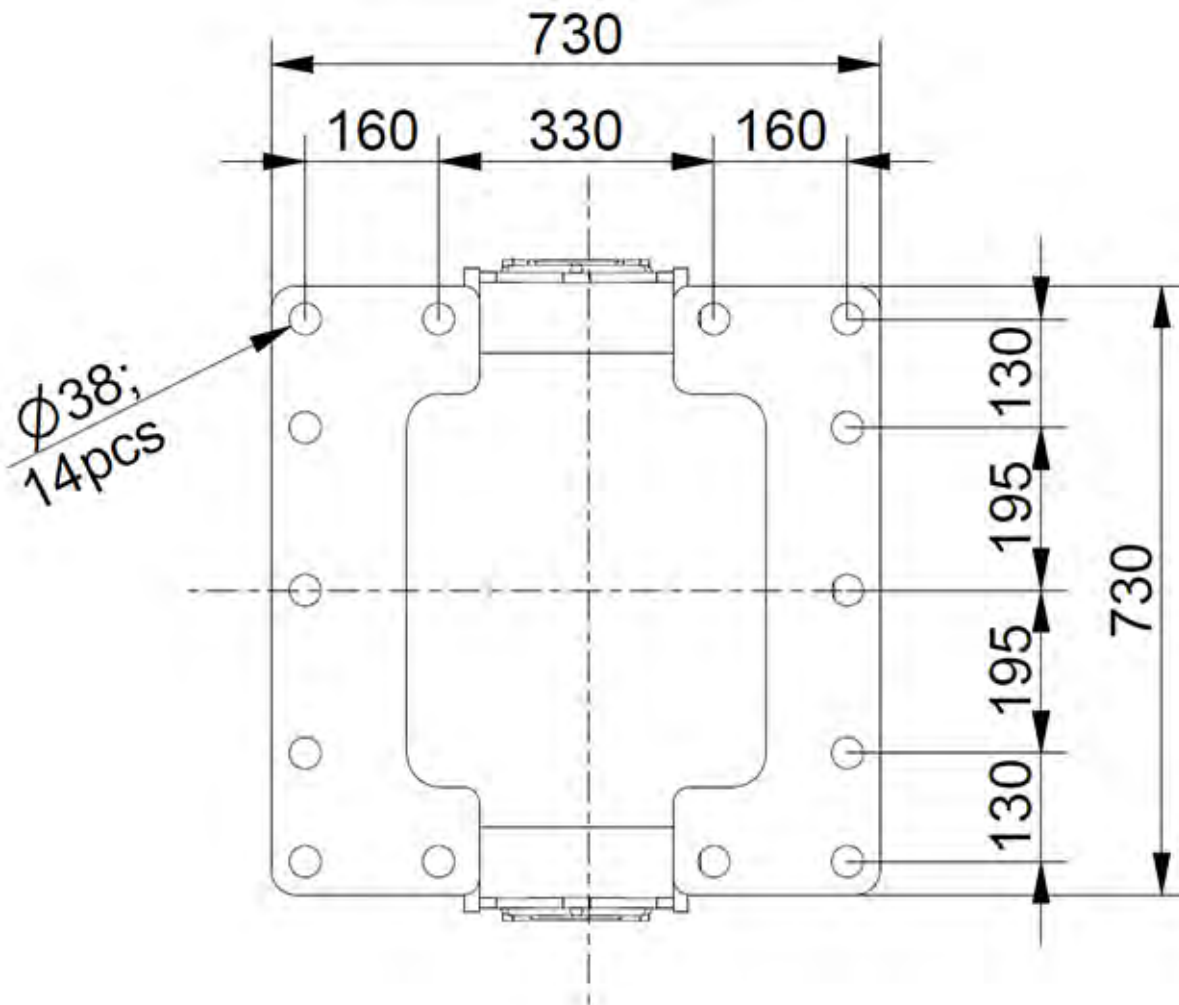
TOP VIEW XB45



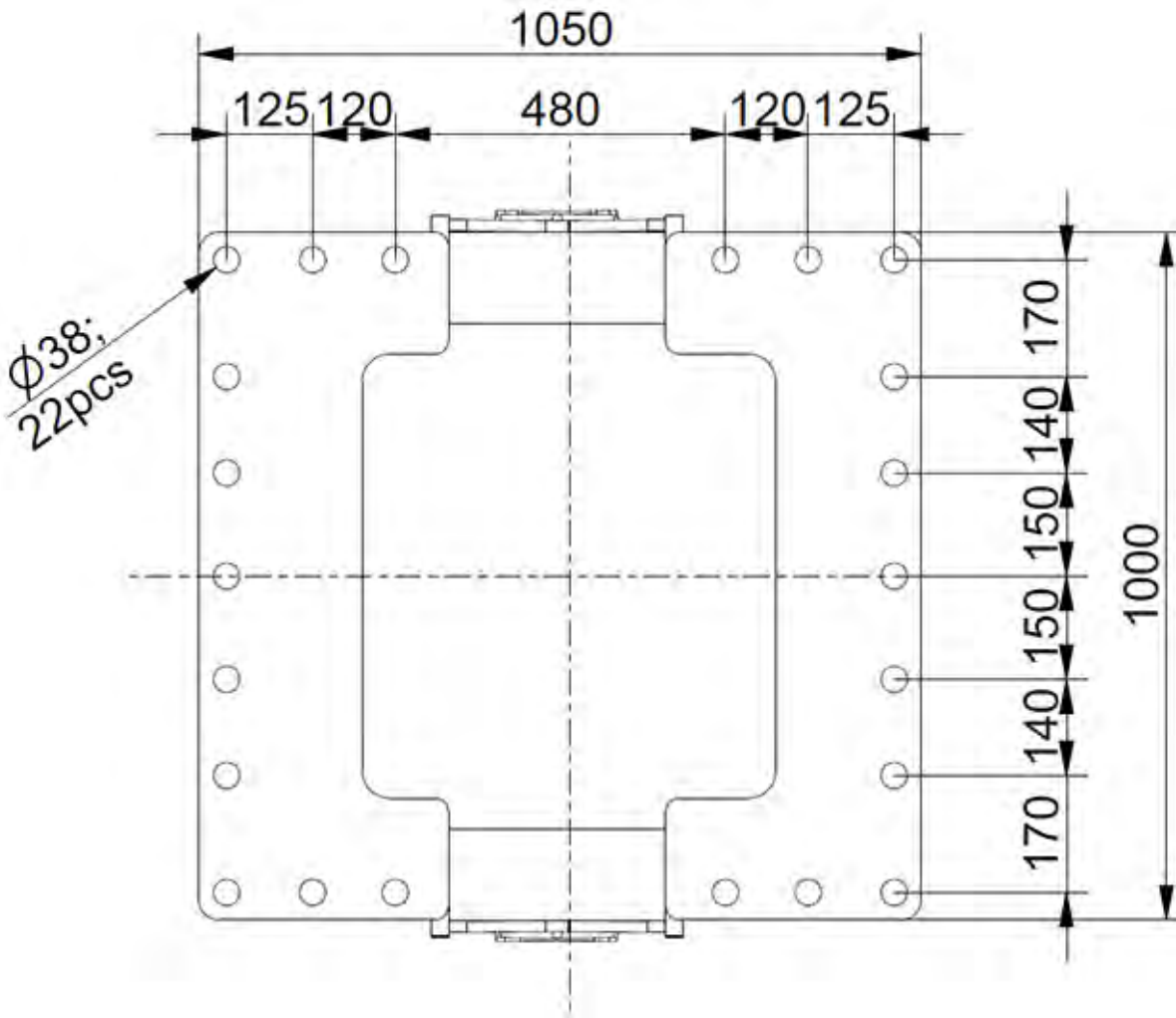
TOP VIEW XB56



TOP VIEW XB66



TOP VIEW XB102



OPERATING WEIGHT

XB32 weight	2340 kg
Excavator weight	26 000 - 38 000 kg
XB36 weight	2650 kg
Excavator weight	30 000 - 43 000 kg
XB45 weight	3150 kg
Excavator weight	35 000 - 49 000 kg
XB56 weight	4090 kg
Excavator weight	44 000 - 58 000 kg
XB66 weight	5150 kg
Excavator weight	50 000 - 74 000 kg
XB102 weight	7250 kg
Excavator weight	70 000 - 120 000 kg

final machine weight variate in agree with selected options

SERVICES

NORMET SERVICES

Our services cover the whole life cycle of your equipment. They include start-up and commissioning, genuine spare parts, upgrades & modifications, and remanufacturing, as well as rental and leasing offerings, and field services. We also offer improvement services such as operator training and process audits.

SPARE PARTS

Genuine parts from Normet Services ensure that you always have the highest quality parts available to keep your equipment up and running. Depending on your needs, we can offer everything from individual parts to complete parts contracts, and our professionals around the world have the experience to ensure that you have the parts you need when you need them.

Initial spare part packages:

Normet Xrock products have service kits available for commissioning, 2-year and 4-year operation and most critical parts.

UPGRADES AND MODIFICATIONS

Our Upgrades and Modifications services are designed to ensure the economical, efficient and purposeful performance of

your equipment over its entire life cycle. A service provided by a reliable OEM like Normet ensures the safety and performance of your equipment. Normet Upgrades and Modifications save you both time and money, while delivering the high quality you expect from us.

SERVICE CONTRACTS

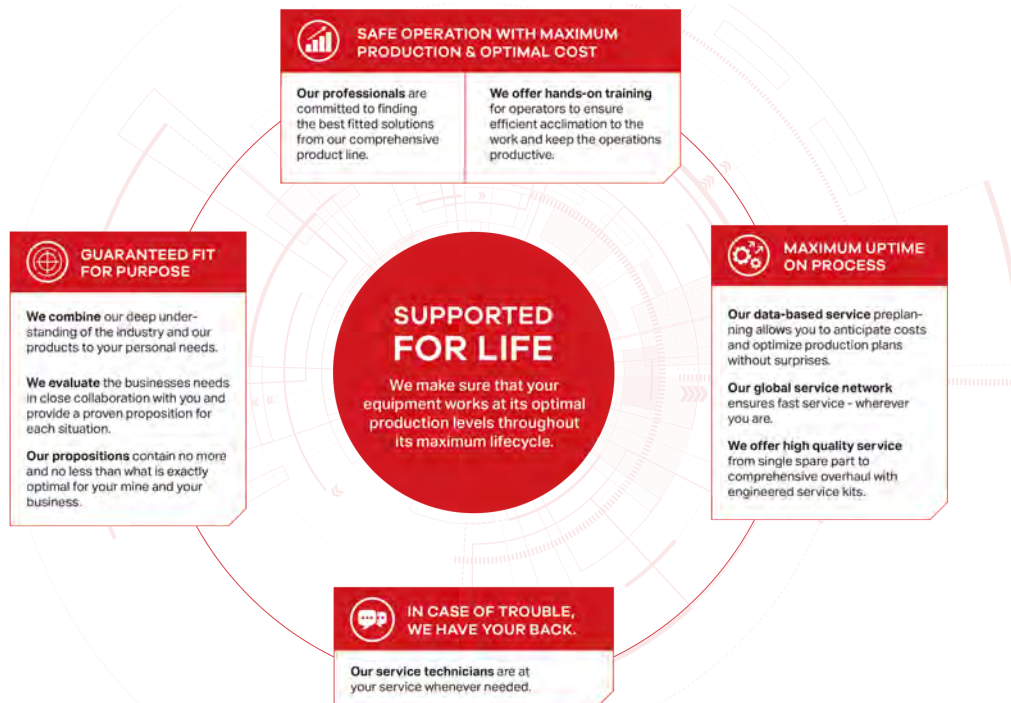
With a service agreement, Normet manages your fleet with guaranteed availability and agreed costs, giving you transparency for your life cycle costs, annual operational budget and fleet uptime. This lets you focus on your core operations. Each service agreement is built and customized to meet the individual customer's needs from our portfolio of services. Depending on the level of service agreement you need, you can choose anything from basic technical support for an individual machine all the way up to services for your entire fleet, as well as process performance. The service levels we offer are:

- Parts Availability
- Fleet Support
- Fleet Availability
- Process Performance

The content of a service level can be tailored to meet your particular requirements.

TRAINING SERVICE

Our Training Services are available for you and your operators throughout the equipment lifecycle and they include:



START-UP AND COMMISSIONING

1. OPERATOR TRAINING

	Start-up training	Commissioning
1.1 Classroom training		
General introduction and operation of machine	Basic	No classroom training included in commissioning
Safety instructions	Basic	
Use of manuals	Basic	
Technical introduction of equipment	Basic	
Hands-on service and pre-operation checks	Basic	
Controls and driving (starting, driving, stopping, parking)	Basic	
1.2 Practical training		
Pre-operation checks	Basic	Introduction
Driving, starting, stopping, parking	Basic	Introduction
Preparing the machine for specific operation conditions	Basic	Not covered
Operation	Basic	Introduction
Washing the machine	Basic	Introduction
Troubleshooting	Basic	Basic

2. MAINTENANCE AND REPAIR TRAINING

General operation of machines	Basic	Introduction
Symbols of drawings and codes	Basic	Not covered
Understanding hydraulic and electric schematics	Basic	Introduction
Control systems	Basic	Introduction
Function of main components (depending on equipment)	Basic	Introduction
Locations of components in the machine	Basic	Not covered
Periodical maintenance	Basic	Introduction
Troubleshooting	Basic	Not covered
Use of manuals	Basic	Introduction
Connection of hydraulic and electrical equipment	Basic	Not covered