



Breaker Boom X22-Series



Normet reserves the right to change
this specification without further notice

Pictures may include options and additional equipment.

INTRODUCTION

Xrock X22-Series of breaker boom is a very light weight system designed for tight spaced operations. The boom controls and range of motion ensures a flexible positioning of the pedestal especially in portable and track mounted crusher units. The X22-Series consists of three different models from 2.9 m horizontal reach up to 3.5 m.

Xrock X22-Series booms are designed to carry hydraulic breakers from 200 kg to 600 kg and especially tailored for Normet Xrock XB breakers. The system is powered by Normet Xrock Hydraulic power units which are streamlined to fit for the Normet Xrock breaker and the boom.

normet
XROCK®

SLEW RING BOOM WITH 360 DEGREE ROTATION

X22-290R is a 360 deg slew ring boom. The pedestal diameter is optimized with minimal footprint. The 360 deg rotation gives freedom to design suitable boom positions for operation, park and transportation.



POWER UNITS

All Normet Xrock power units offer a streamlined power resource for breaker booms and breakers to maximize the performance. The Power units are modular systems with wide access points for service. Power unit motor control panels are PLC controlled. All electric connections and panels are IP65 rated.

Power units have minimum 110 % capacity integrated trip drays for hydraulic oil to meet environmental regulations and avoid oil leakages. The system can be equipped with an automatic fire extinguisher.



CYLINDER SLEW WITH ROBUST PEDESTAL

X22-320 and X22-350 booms are cylinder slew type systems. The cylinder slew is maintenance friendly with high boom torque capacity.



Normet reserves the right to change this specification without further notice

Pictures may include options and additional equipment.

RELIABLE CONTROL SYSTEM AND ELECTRONICS

The boom is controlled by accessorial radio remote control.

All exposed control components are IP65 rated. Cables and connections between boom, radio controller and power unit are designed for harsh mining environment.



AVAILABILITY FOR STATE-OF-THE-ART AUTOMATION



All Normet Xrock breaker booms have availability for Xrock® Automation platform. Xrock® Automation system optimizes the mine's processes in a responsible way and gives you the time to focus on anticipating and developing your business.

Xrock® Automation lets operators' control everything ergonomically from the safety of a control room. The Xrock® Automation system itself is specifically designed to be user-friendly: it's easy to learn and intuitive to use, so users will quickly get acquainted with productive work. Boom operation, management and diagnostics are available straight from the control station.

All Xrock® Automation platforms are made flexible and scalable to the mine's current and future demands. As your business grows and develops, we'll deliver you readily available solutions straight from the shelf.



TECHNICAL SPECIFICATION

BOOM

	X22-290R	X22-320	X22-350
Maximum reach (incl. nominal breaker), m	4.3	4.8	5.2
Horizontal reach, max (breaker vertical), m	2.9	3.1	3.5
Vertical reach, max (incl. nominal breaker), m	2.2	3.3	4.1
Nominal breaker length, m	1.7	1.7	1.7
Lift boom length, m	1.75	1.6	1.6
Dipper boom length, m	1.1	1.25	1.6

Welded high tensile steel plate structure (290R)

Welded high tensile steel square pipe structure 200 x 200 mm section (320 & 350)

Reinforced swivel points

Heat treated multi alloy steel pins with conical locking

Special bronze bushings with grease depots

PEDESTAL X22-290R

Welded steel plate structure

Slewing ring with internal gear

High torque hydraulic motor

Slew angle 360°

Foundation plate width 0.66 m

Foundation plate length 0.75 m

PEDESTAL X22-320 & X22-350

Welded steel plate structure

Dual king pin slew pillar

Slew pin diameter 80 mm

Two double acting slew cylinders

Slew angle 170°

Foundation plate width 0.69 m

Foundation plate length 0.93 m

BREAKER

With boom specified configuration

Recommended Normet Breakers:

XB5

XB6

X22-290R

Recommended weight 200 kg - 400 kg

X22-320 & X22-350

Recommended weight 300 kg - 600 kg

CONTROL SYSTEM

Control valve with 4 proportional sections and 1 on/off section to control:

- Boom movements
- Breaker

Can be equipped with a Radio control unit sold as an accessory.

HYDRAULIC SYSTEM

Power unit PU18-43

Cylinders:

Double acting cylinders with self-aligning maintenance-free bearings

Easily replaceable seals

Max. pressure 25.0 MPa

X22-290R

Hoist 100/56-590 mm

Dipper 100/56-650 mm

Breaker tilt 100/56-380 mm

Hydraulic lifting force 12 kN

X22-320

Hoist 125/70-530 mm

Dipper 100/56-650 mm

Breaker tilt 100/56-650 mm

Swing (2 pcs.) 80/45-340 mm

Hydraulic lifting force 16 kN

X22-350

Hoist	125/70-450 mm
Dipper	100/56-650 mm
Breaker tilt	100/56-650 mm
Swing (2 pcs.)	80/45-340 mm
Hydraulic lifting force	11 kN

POWER UNIT

Constant displacement gear pump	
Tank with 110% drip tray, service hatch and oil level indicator	
Oil filtration	10 µm
Pressure line filter clogging indicator	
Electric oil level switch	
Thermostat controlled air cooler for oil with 0.25-0.37 kW fan	
Oil pressure gauge	0-25.0 MPa
Pressure relief valve	23.0 MPa

PU18-34

Pump displacement	43 cc
Pump capacity at 1500 rpm	65 l/min
Pump capacity at 1800 rpm	78 l/min
Oil tank	250 l

PU30-63

Pump displacement	63 cc
Pump capacity at 1500 rpm	90 l/min
Pump capacity at 1800 rpm	108 l/min
Oil tank	250 l

PU37-87

Pump displacement	87 cc
Pump capacity at 1500 rpm	125 l/min
Pump capacity at 1800 rpm	150 l/min
Oil tank	250 l

PU45-121

Pump displacement	121 cc
Pump capacity at 1500 rpm	180 l/min
Pump capacity at 1800 rpm	215 l/min
Oil tank	400 l

PU55-151

Pump displacement	151 cc
Pump capacity at 1500 rpm	220 l/min
Pump capacity at 1800 rpm	265 l/min
Oil tank	400 l

REMOTE CONTROL SYSTEM

Wireless remote control with 2 joysticks and cable support

The following machine components can be controlled by radio remote control:

- Boom slew left/right
- Boom lift up/down
- Boom stick in/out
- Breaker tilt in/out
- Breaker on/off
- Power unit start/stop

ELECTRICAL SYSTEM

Mains supply voltage:

- 50 Hz
 - 380 V
 - 400 V
 - 415 V
 - 420 V
 - 525 V
 - Special voltage
- 60 Hz
 - 440 V
 - 460 V
 - 480 V
 - 575 V
 - Special voltage

Flange mounted squirrel cage electric motor:

	1500 rpm (50 Hz)	1800 rpm (60 Hz)
PU18-43	18 kW	22 kW
PU30-63	30 kW	36 kW
PU37-87	37 kW	44 kW
PU45-121	45 kW	54 kW
PU55-151	55 kW	66 kW

TECHNICAL DOCUMENTATION

Standard documents:

Instruction manuals, hard copy 1 pcs:

- English
- Russian
- One of destination EU languages

Spare parts manuals, hard copy 1 pcs:

- English

PDF manuals on USB-stick 1 pcs, includes instruction and spare parts manuals

Additional documentation:

- Extra hard copies of manuals
- Extra PDF manuals
- LinkOne WebView electronic manuals
- Other than standard language manuals
- Boom placement drawing superimposed customer's plant lay-out drawing
- Dimensional (G.A.) drawings
- Coverage drawing
- Pedestal load data table
- Foundation plate drawing

ACCESSORIES

MAIN ACCESSORIES

- PU18-43 Power unit
- XB5 Hydraulic breaker
- XB6 Hydraulic breaker
- Wireless remote control
 - 434 MHz
 - 458 MHz

One Power unit and one Breaker can be selected for the boom.

PROCESS PRODUCTIVITY

- Automatic lubrication system
- Manual lubrication system
- Automatic breaker lubrication system
- Off-line oil filtering system

Automatic and Manual lubrication cannot be selected together.

SAFETY (BOOM)

- Slew limiter kit
- Boom limiter kit

SAFETY (POWER UNIT)

- Fire extinguisher system

COLD CLIMATE ACCESSORIES (POWER UNIT)

- Oil heater
- Oil circulation valve

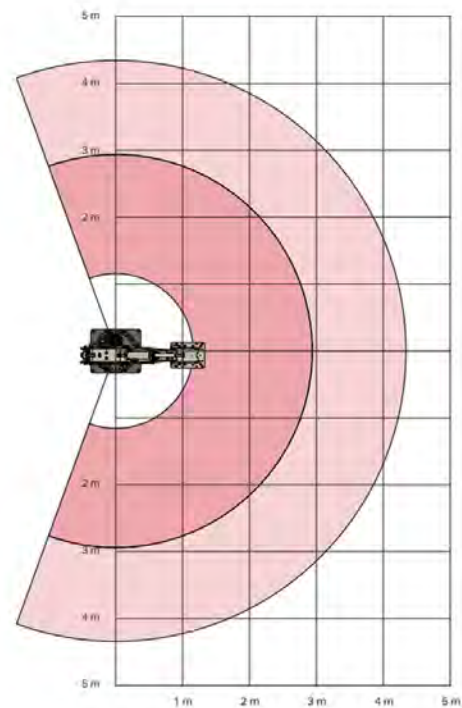
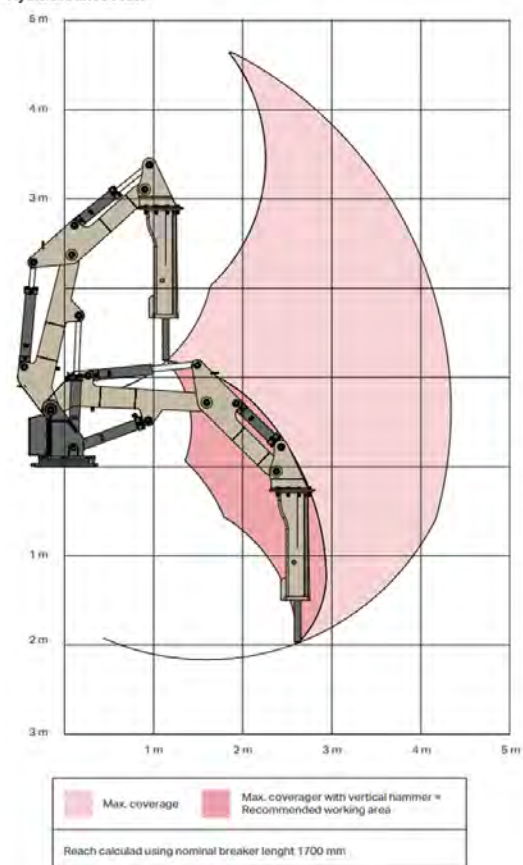
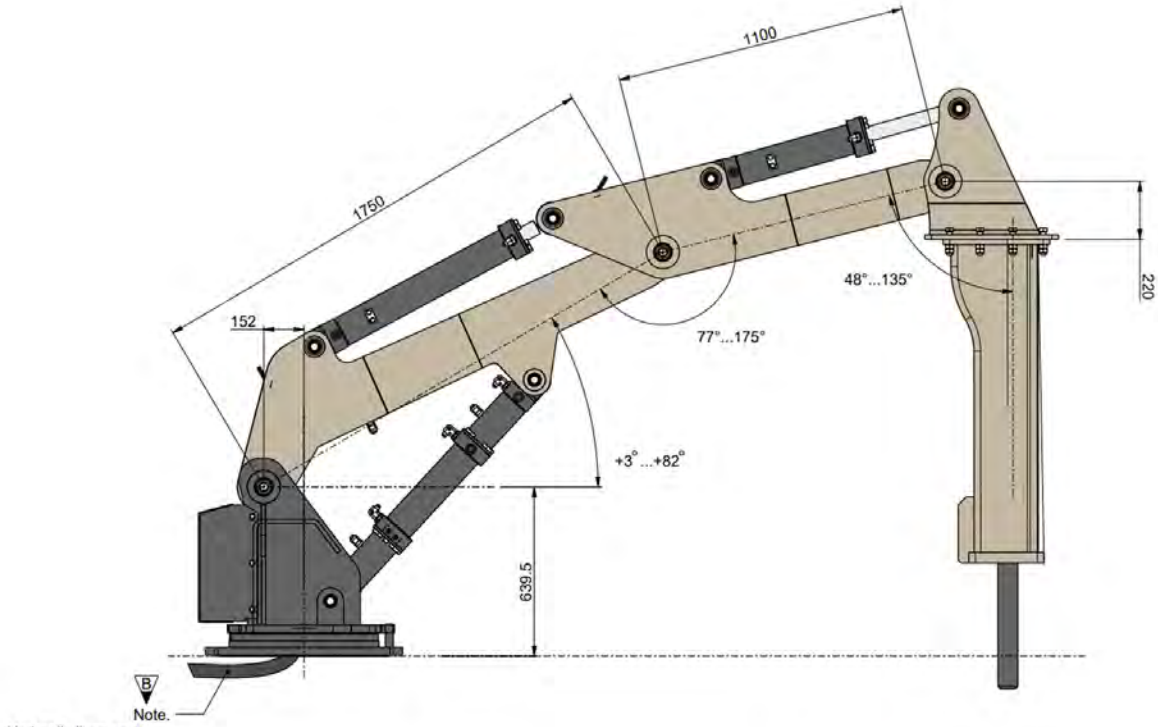
OTHER ACCESSORIES

- Extended hydraulic hoses, 12 m
- Extended control cable, 20 m
- Extended valve control cable, 12 m
- Special voltage
- Special motor

Tropical motor, special insulation, above 2000 m M.A.S.L. etc..

DIMENSIONS

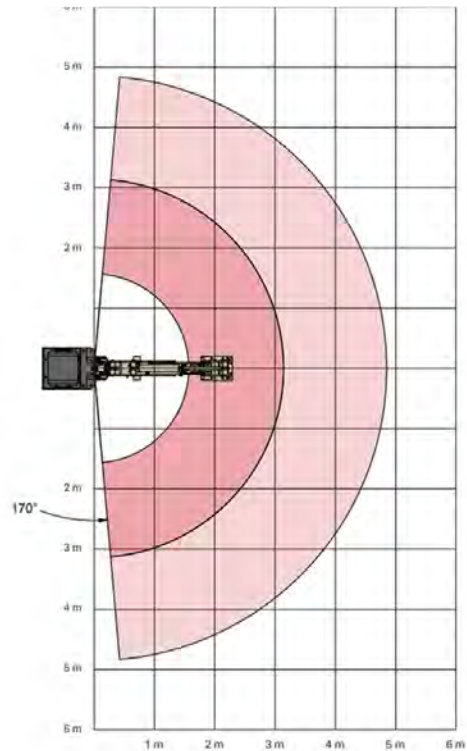
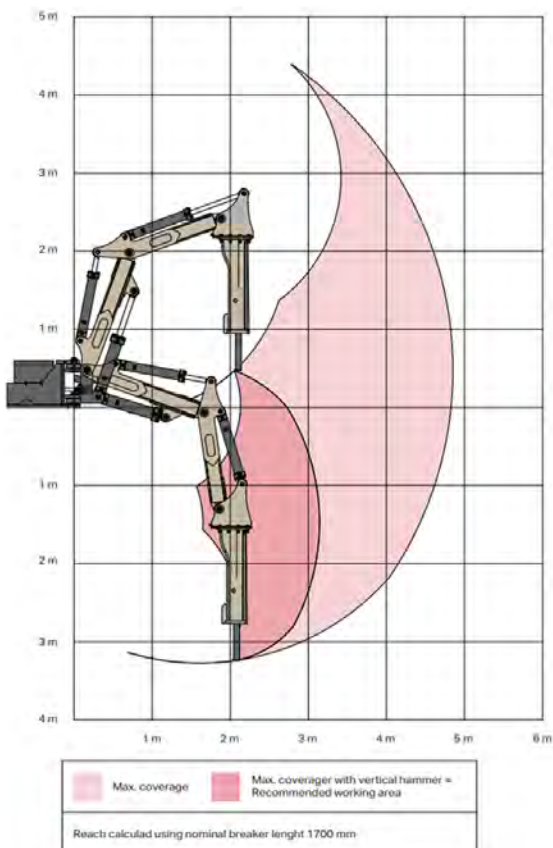
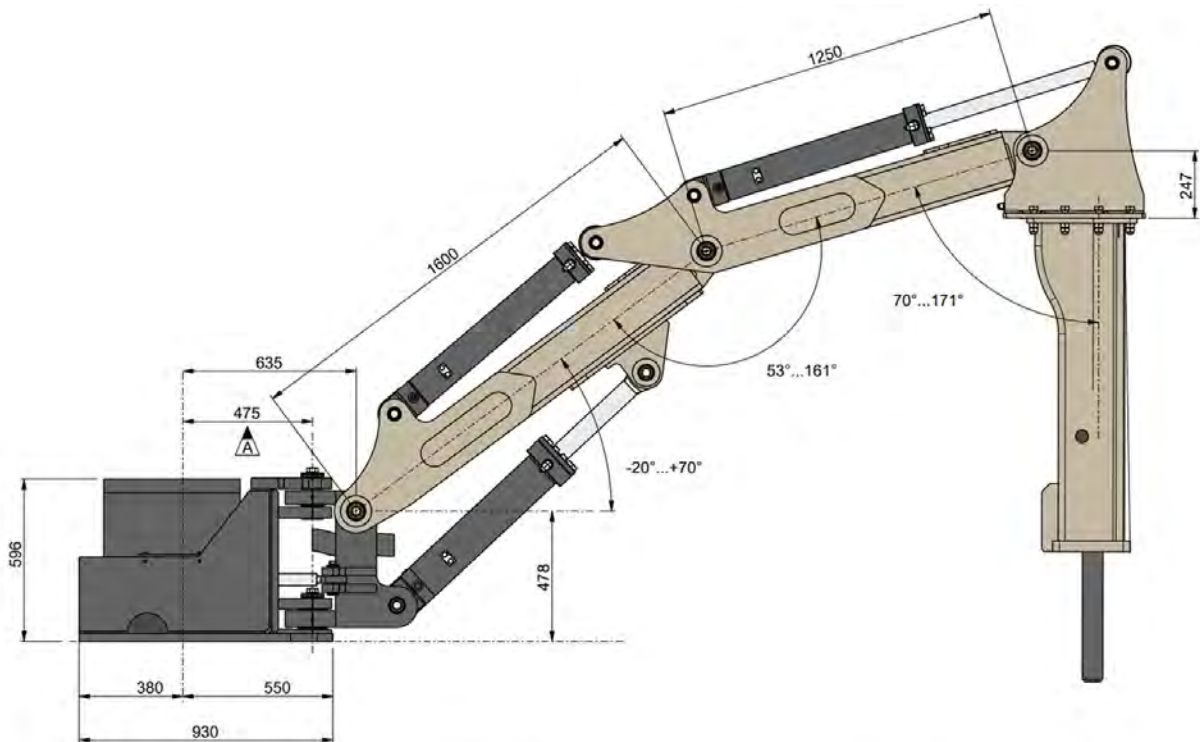
SIDE VIEW & REACH AREA X22-290R



Normet reserves the right to change this specification without further notice

Pictures may include options and additional equipment.

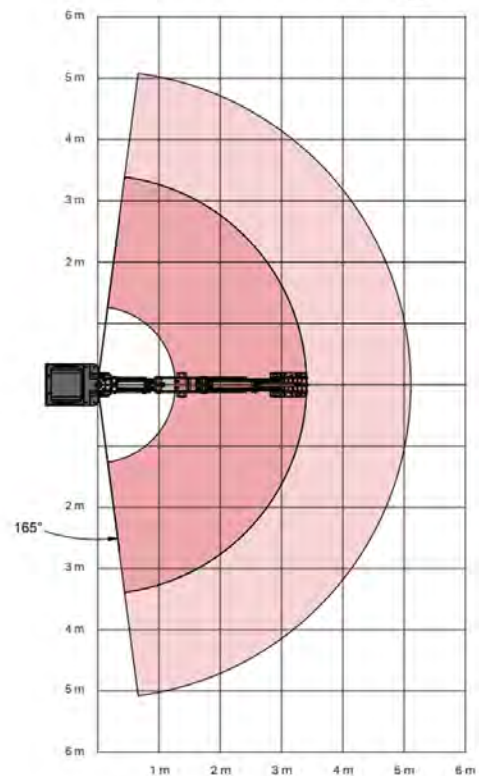
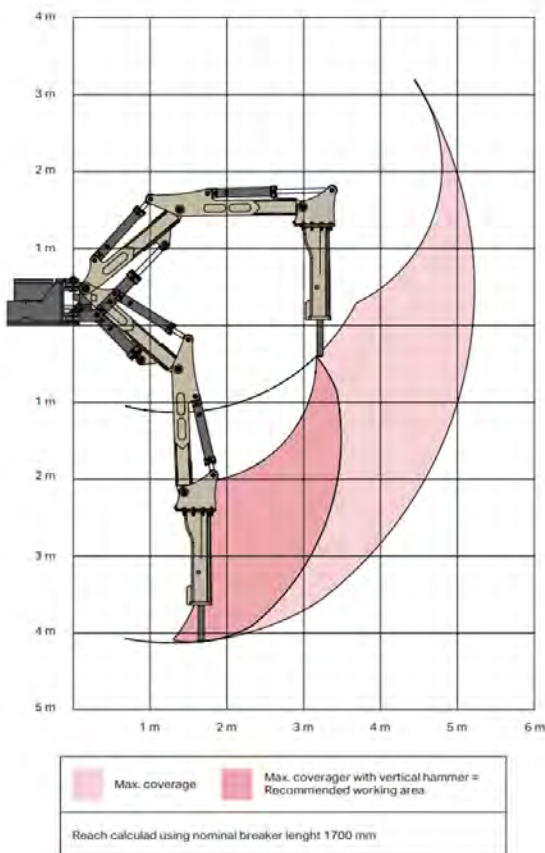
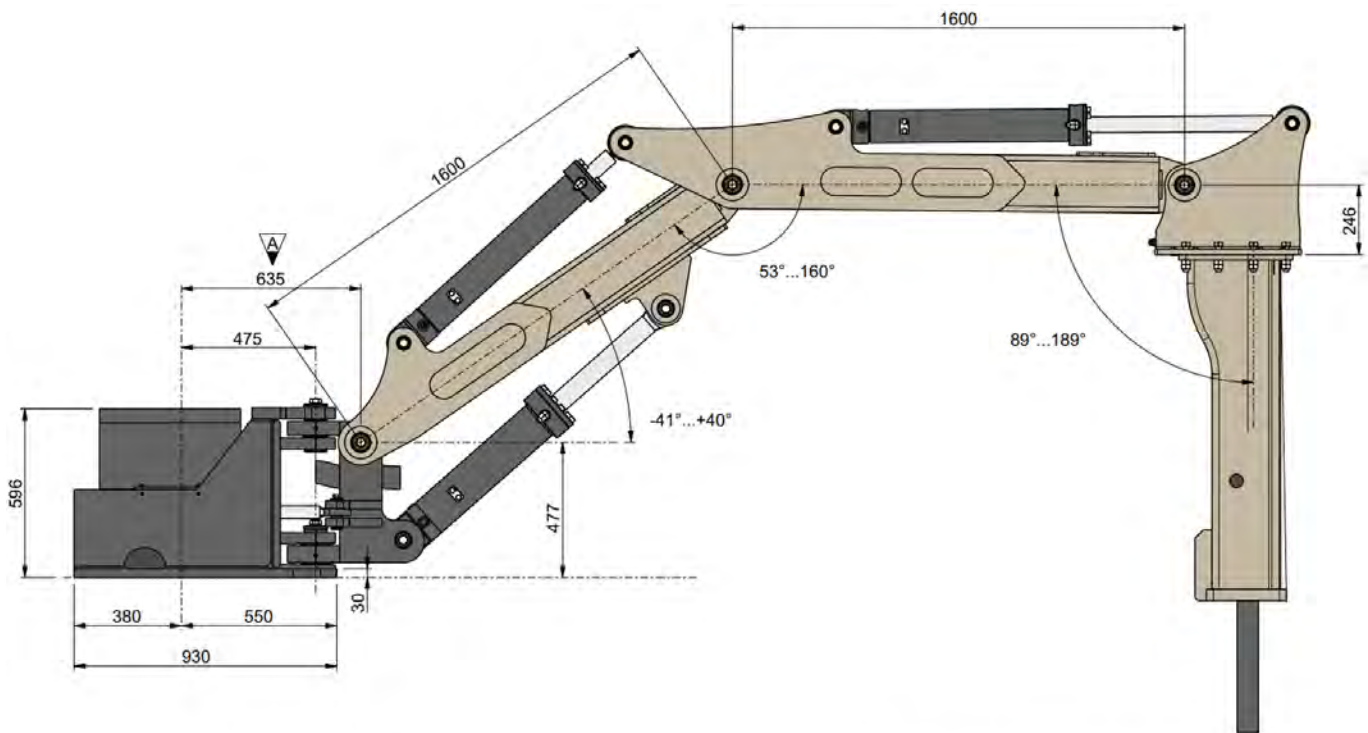
SIDE VIEW & REACH AREA X22-320



Normet reserves the right to change this specification without further notice

Pictures may include options and additional equipment.

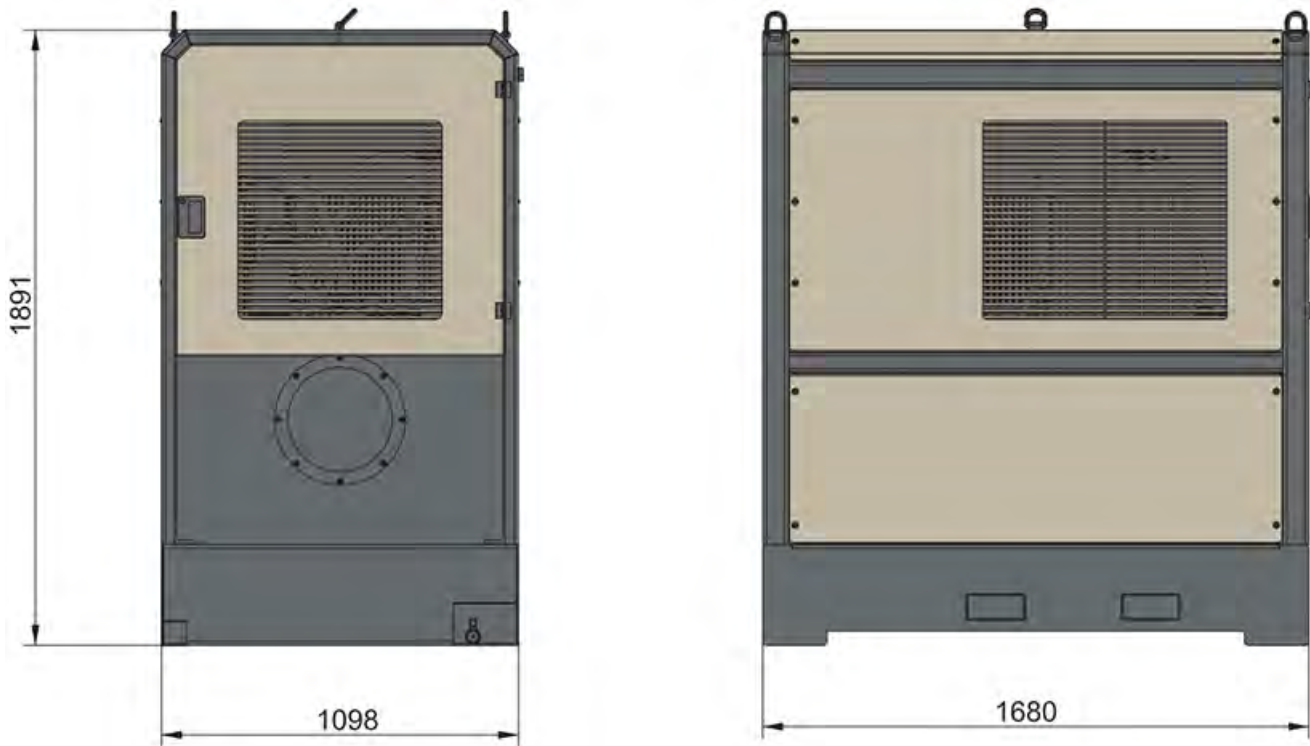
SIDE VIEW & REACH AREA X22-350



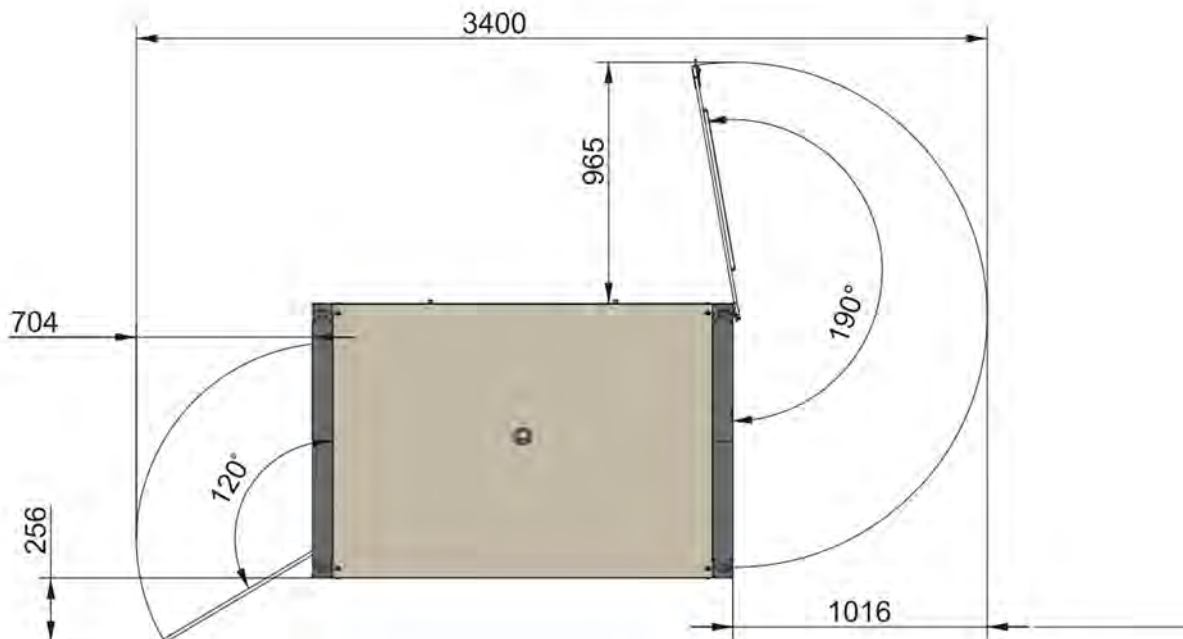
Normet reserves the right to change this specification without further notice

Pictures may include options and additional equipment.

SIDE VIEW POWER UNIT



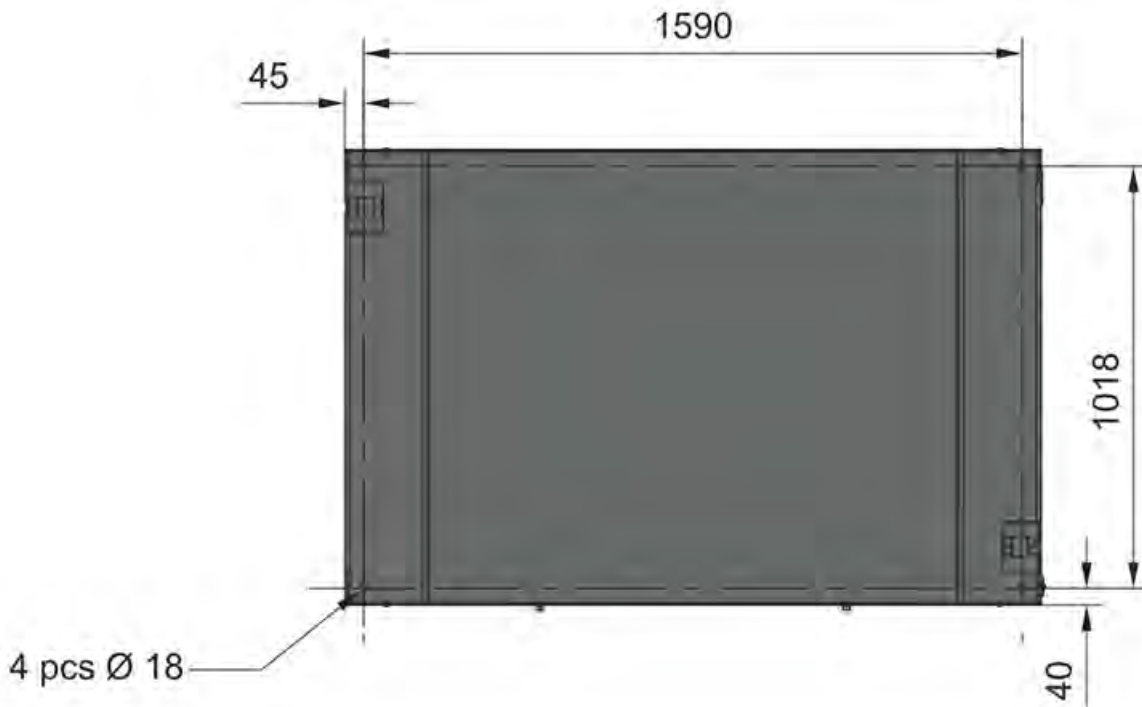
TOP VIEW POWER UNIT



Normet reserves the right to change this specification without further notice

Pictures may include options and additional equipment.

BOTTOM VIEW POWER UNIT



OPERATING WEIGHT (WITHOUT BREAKER)

Base machine X22-290R	1150 kg
Base machine X22-320	1355 kg
Base machine X22-350	1400 kg
Power units(without oil):	
Base machine PU18-43	800 kg
Base machine PU30-63	900 kg
Base machine PU37-87	950 kg
Base machine PU45-121	1200 kg
Base machine PU55-151	1310 kg

final machine weight variate in agree with selected options

SERVICES

NORMET SERVICES

Our services cover the whole life cycle of your equipment. They include start-up and commissioning, genuine spare parts, upgrades & modifications, and remanufacturing, as well as field service. We also offer improvement services such as operator training and process audits.

SPARE PARTS

Genuine parts from Normet Services ensure that you always have the highest quality parts available to keep your equipment up and running. Depending on your needs, we can offer everything from individual parts to complete parts contracts, and our professionals around the world have the experience to ensure that you have the parts you need when you need them.

Initial spare part packages:

Normet Xrock products have service kits available for commissioning, 2-year and 4-year operation and most critical parts.

UPGRADES AND MODIFICATIONS

Our Upgrades and Modifications services are designed to ensure the economical, efficient and purposeful performance of

your equipment over its entire life cycle. A service provided by a reliable OEM like Normet ensures the safety and performance of your equipment. Normet Upgrades and Modifications save you both time and money, while delivering the high quality you expect from us.

SERVICE CONTRACTS

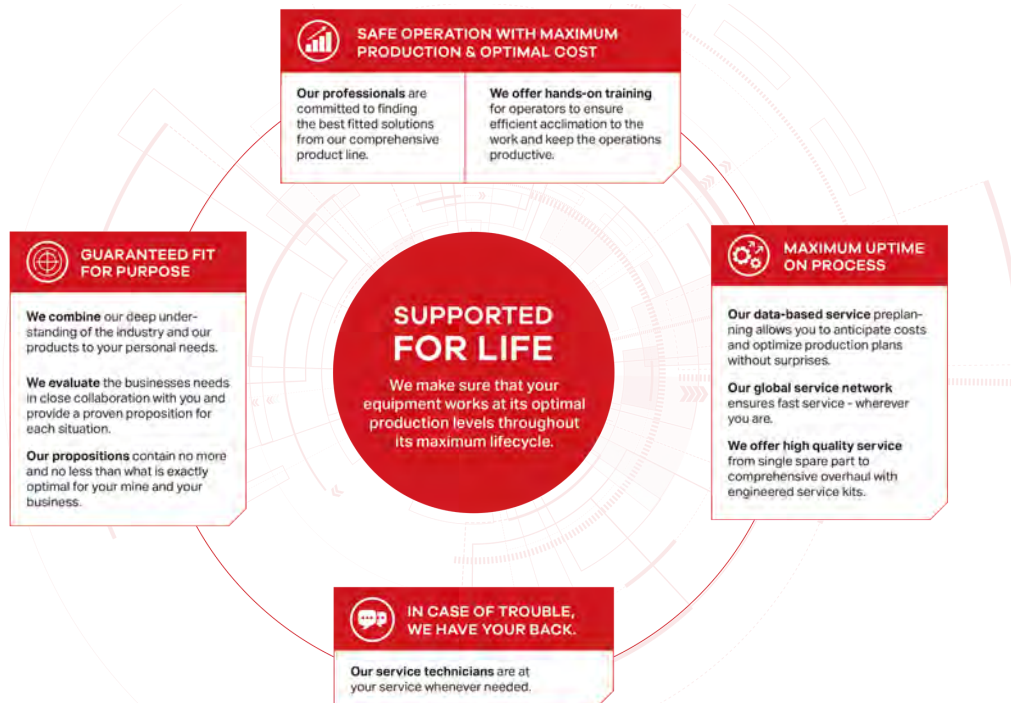
With a service agreement, Normet manages your fleet with guaranteed availability and agreed costs, giving you transparency for your life cycle costs, annual operational budget and fleet uptime. This lets you focus on your core operations. Each service agreement is built and customized to meet the individual customer's needs from our portfolio of services. Depending on the level of service agreement you need, you can choose anything from basic technical support for an individual machine all the way up to services for your entire fleet, as well as process performance. The service levels we offer are:

- Parts Availability
- Fleet Support
- Fleet Availability
- Process Performance

The content of a service level can be tailored to meet your particular requirements.

TRAINING SERVICE

Our Training Services are available for you and your operators throughout the equipment lifecycle and they include:



START-UP AND COMMISSIONING

1. OPERATOR TRAINING

	Start-up training	Commissioning
1.1 Classroom training		
General introduction and operation of machine	Basic	No classroom training included in commissioning
Safety instructions	Basic	
Use of manuals	Basic	
Technical introduction of equipment	Basic	
Hands-on service and pre-operation checks	Basic	
Controls and driving (starting, driving, stopping, parking)	Basic	
1.2 Practical training		
Pre-operation checks	Basic	Introduction
Driving, starting, stopping, parking	Basic	Introduction
Preparing the machine for specific operation conditions	Basic	Not covered
Operation	Basic	Introduction
Washing the machine	Basic	Introduction
Troubleshooting	Basic	Basic

2. MAINTENANCE AND REPAIR TRAINING

General operation of machines	Basic	Introduction
Symbols of drawings and codes	Basic	Not covered
Understanding hydraulic and electric schematics	Basic	Introduction
Control systems	Basic	Introduction
Function of main components (depending on equipment)	Basic	Introduction
Locations of components in the machine	Basic	Not covered
Periodical maintenance	Basic	Introduction
Troubleshooting	Basic	Not covered
Use of manuals	Basic	Introduction
Connection of hydraulic and electrical equipment	Basic	Not covered