

# C135 Flat Deck

## C135 FLAT DECK

### TECHNICAL SPECIFICATION

Capacity	9000 kg
Platform dimensions	2890 mm x 1800 mm
Crane 36.5 kNm:	
Maximum hydraulic outreach	3.7 m
Slewing angle	345°

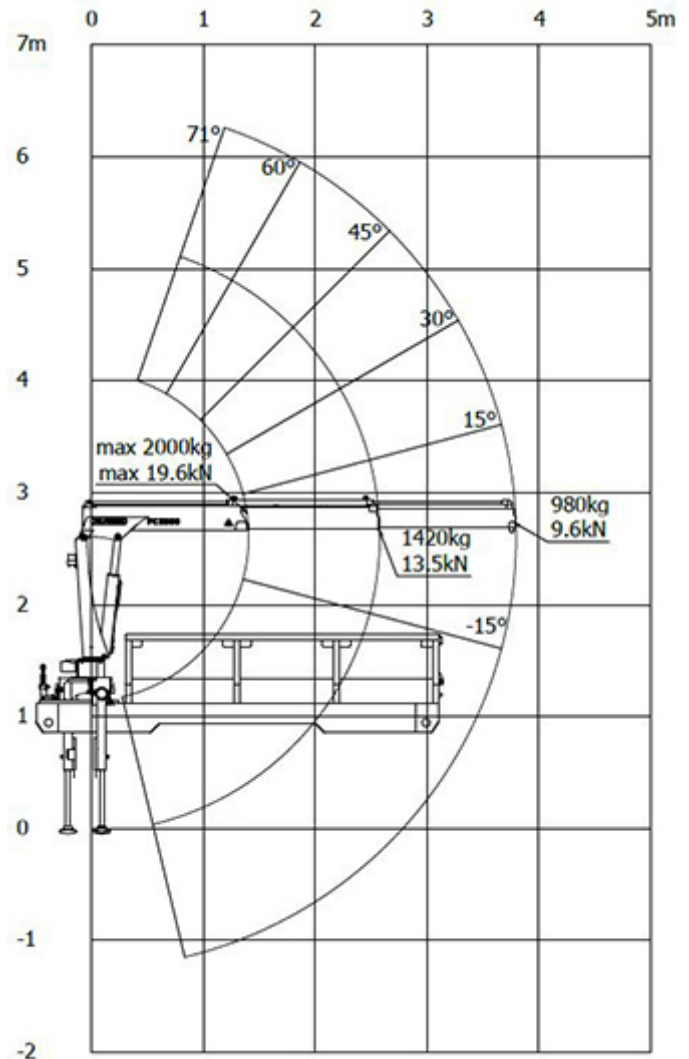
### ACCESSORIES

◦ CE approved crane 36.5 kNm	
Load monitoring system	
Maximum hydraulic outreach	3.7 m
Slewing angle	345°

### DIMENSIONS

Length	3860 mm
Length of deck	2890 mm
Width	1800 mm
Height of cassette	1920 mm
Height with Multimec SF 060 / MF 100	2610 / 2710 mm
Weight (Empty)	1600 kg

### CRANE REACH



## DIMENSIONAL DRAWINGS

