

C060 Tipping

C060 TIPPING

TECHNICAL SPECIFICATION

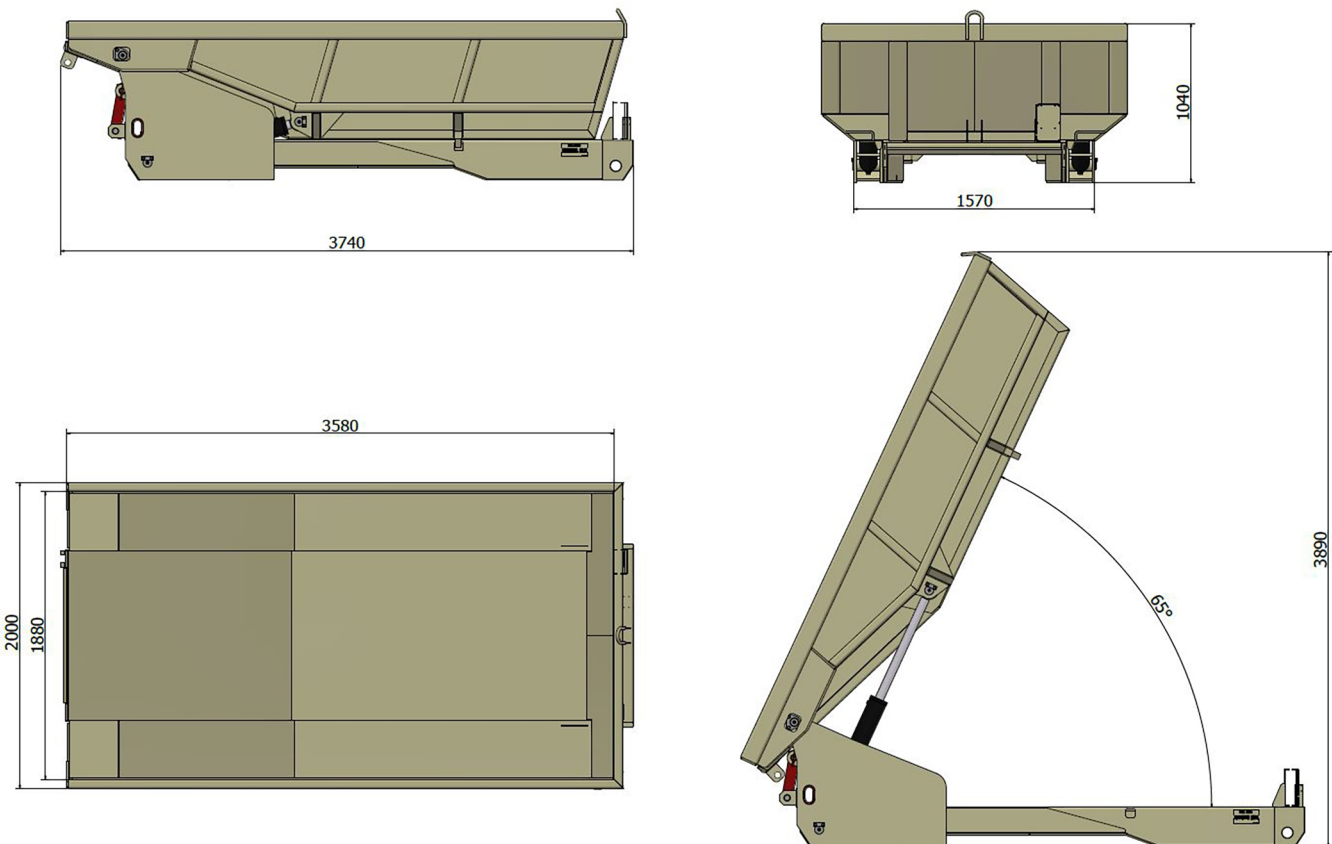
Capacity	6000 kg
Hydraulically operated dump box	
• Standard	4 m ³
◦ High edges with tail gate	9 m ³

DIMENSIONS

Length	3740 mm
Width	2000 mm
Height of cassette (Standard)	1040 mm
Height of cassette (High edges)	1980 mm
Height with Multimec MF 100	1870 mm
Weight	3200 kg

DIMENSIONAL DRAWINGS

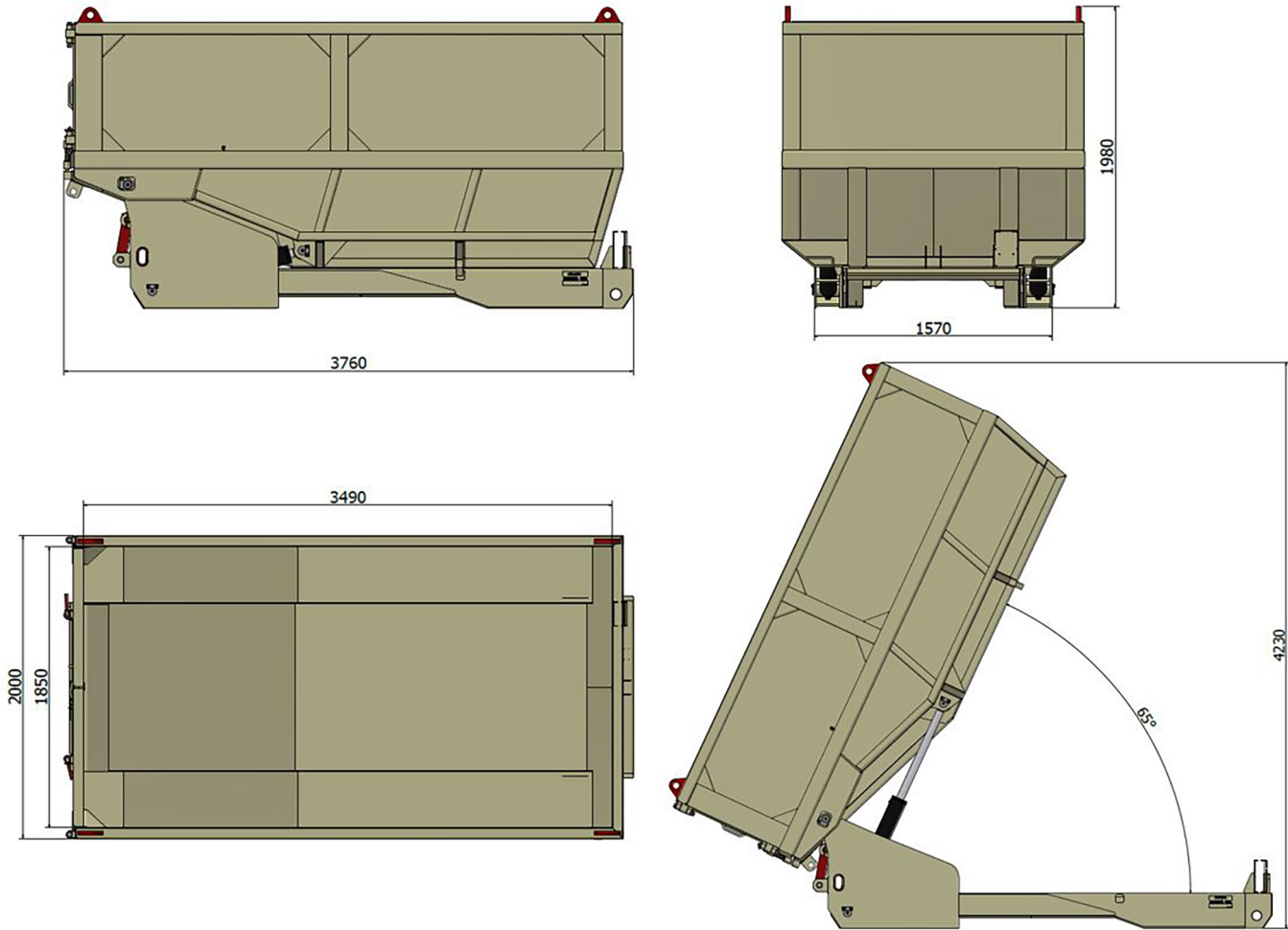
Cassette with standard edges:



Normet reserves the right to change this specification without further notice

Pictures may include options and additional equipment.

Cassette with high edges:



Normet reserves the right to change this specification without further notice

Pictures may include options and additional equipment.