



Pictured machine may include options and additional equipment.

Features

The Utilift SF 330 Scissor Lift with lifting capacity up to 3 tonnes and max platform height of 3.5 m is designed to provide a safe work platform for all kinds of installation works in tunnels up to 5.5 m high

Typical applications are fan installations, ventilation ducting, electrification works and piping for air and water services. Optional side extensions provide complete drift coverage from single setup practically in all kinds of mine headings. The works can be accomplished safely, efficiently and comfortably from the level work deck, elevated to a optimum work height.

The powerful liquid cooled turbo charged Deutz 96 kW or MB 90 kW TIER 3 approved engine provides clean and efficient operation and gives maximum speed of 12 km/h in upward inclined 1:7 tunnel. In horizontal tunnel the maximum speed is 25 km/h.

Vehicle has optional front axle suspension system that improves driving safety and comfort and reduces fatigue. The suspension system reduces vibration from wheels to the front and rear cabins and improves handling of the vehicle. The suspension system gives efficiency and speed to vehicle usage, with safety and comfort for the driver and the passenger.

The new Normet FOPS and ROPS approved safety cabin provides superior visibility and comfortable compartment for the driver and the passenger. Cabin is designed for safe and easy entry and exit. Door openings are wide and handrails and non-slip steps are correctly positioned. Dashboard is easy and simple to use. New multifunctional display (MID) provides driving information (speed, RPM, temperatures etc.) and information can be recorded for analysis. Enclosed cabin provides noise level < 75 dB ensuring safe and comfort driving.

Vehicle layout allows easy access to all service points, all daily checks can be done from the ground level.

Normet reserves the right to change this specification without further notice.

Technical specification

LIFTING PLATFORM

Dimensions 1800 X 3200 mm
Lifting capacity 3000 kg
Max. Lifting height 3500 mm
Diesel start/stop from platform
Battery operated emergency pump
Over load monitoring to platform

ENGINE

Liquid cooled turbo charged Deutz TCD 2012 L4,
96 kW/2200 rpm, TIER 3 approved

EXHAUST SYSTEM

Catalytic exhaust gas purifier and muffler

TRANSMISSION

Dana 20 000 series power shift with pump drive group
3 speeds forward and reverse
4-wheel drive

AXLES

Planetary type
Dana 112
Load end axle fixed
Engine end axle with +/- 10° oscillation
Oscillation lock

TYRES

10.00 - 20 PR 16

PERFORMANCE

1st gear	max.6 km/h
2nd gear	13 km/h
3rd gear	25 km/h
Max. tractive effort	90 kN
Max speed in upward 1:7 inclined tunnel	12 km/h
Performance curve	4800031

BRAKES

Service brake: hydraulically powered two-circuit oil immersed multidisc brakes in both axles
Safety/Parking brake: spring applied hydraulically released fail-safe -type brake. Brake test possibility in cabin

STEERING

Hydraulic frame steering
Orbitrol type
Frame articulation +/- 40°

FUEL TANK

Capacity 112 L

HYDRAULIC SYSTEM

Variable displacement pump system
Pressure setting 190 bar, 95 L/min/2200 rpm
Hydraulic oil tank capacity 115 L
Return oil filtration 10 µm
Indication of level, filtration and temperature

24 VDC ELECTRICAL SYSTEM

Exposed components are min IP 65 standard
Battery 2 x 115 Ah
Alternator 100 A
Driving LED lights (4 + 2 pcs)
Working LED lights (2 + 2 pcs)
Working LED lights on work platform (3 pcs)
LED parking, brake and indicator lights
LED side lights; amber
Side reversing LED lights
Rotating beacon; amber
Wire harness (self extinguishing) with tinned wires and water tight conduits

DRIVER'S COMPARTMENT

Open 2-man cabin FOPS/ROPS approved
Air suspended driver's seat
Seat with retractable lap seat belt
Forward and side seating for the driver with two sets of pedals (brake and accelerator)
Cabin door interlock switches with safety brake application
MID 070 S Multifunctional Display with:

- Meters; e.g. speed, RPM, operating hours
- Status indicators; e.g. fluid levels, temperatures, pressures, alarms, faults

MACHINE CONNECTIVITY

Machine connectivity hardware (WLAN/3G/4G/LTE)

GREASING SYSTEM

Centralized grease fittings for the carrier

OTHER

12 kg hand held fire extinguisher
Standard symbol labels
Hydraulic support legs on rear frame

Optional equipment

ENGINE

Liquid cooled turbo charged MB OM 904 LA,
90 kW/2200 rpm, TIER 3 approved:

1st gear max.	6 km/h
2nd gear	13 km/h
3rd gear	25 km/h
Max. tractive effort	90 kN
Max speed in upward 1:7 inclined tunnel	12 km/h
Performance curve	4800032

DRIVER'S CABIN

Enclosed cabin
Air suspended T-back seat for driver and passenger

MACHINE CONNECTIVITY

- Data lifetime license (Include connectivity hardware)
- Analytics lifetime license (Include connectivity hardware and data lifetime license)

OTHER

- Warning lights, 1 unit:
- Rotating beacon; red
 - Rotating beacon; blue

Additional equipment

FOR LIFTING AND INSTALLATION WORKS

Hydraulic side extensions 730 mm
Fan rack, Max diameter 1100 mm.
Platform tilt +/- 8° for levelling the platform

Crane Hiab O29-2:

- Lifting capacity 27 kNm
- Max hydraulic outreach 3.4 m
- Hydraulic front support legs

Grapple for crane:

- Min. pipe diameter 70 mm
- Max. opening 1100 mm
- Compressive force 6,4 kN
- Radio remote control
- Rotator for grapple

Hydraulic pipe jacks:

- Lifting height from platform floor 1150 mm - 1750 mm
- Stroke length 600 mm
- Pipe diameter 70 - 273 mm or pipes with a nominal value from 2 1/2" to 10"

SUSPENSION

Front axle suspension

- Hydraulic front support legs

FOR ENCLOSED CABIN

CD/Radio system

Cabin ventilation:

- Cabin heating
- Air conditioning

FIRE SUPPRESSION SYSTEM

Fogmaker: Manually actuated

Fogmaker: Automatically actuated

Ansul: Manually actuated

Ansul: Automatically actuated

GREASING SYSTEM

Automatic lubrication system for carrier and lifter: Lincoln

AIR COMPRESSOR

4 m³ hydraulic driven compressor on front rack

GENERATOR

Hydraulic generator 6,6 kVA

OTHER

Fast fuel filling system: Wiggins

Oil evacuation kit with sample points

Extra hand held fire extinguisher (12 kg)

Hydraulic front support legs

Warning lights, 1 unit:

- Rotating beacon; amber
- Rotating beacon; red
- Rotating beacon; blue
- Strobe light; white

Text labels in: Fin / Por / GB / Swe / Rus / Nor / Ger / Fra / Spa / Ita

Toolbox and maintenance tools

2 wheel chocks with brackets

Reversing camera

Spare wheel

WLAN connection

LTC services

RECOMMENDED SPARE PARTS FOR EARLY LIFE

Spare parts package: A complete package to make sure your machine runs with optimal uptime up to 1000 operation hours*.

Includes periodical maintenance parts and most critical spare parts related to e.g.:

- Engine (e.g. filters, belts)
- Chassis (e.g. wiper blades, throttle pedal connector)
- Hydraulics (e.g. filters)
- Electrics (e.g. sensors, work lights, solenoid coils, contactors)
- Boom (e.g. sliding parts, bearings, cylinders, seals, pins)
- Compressor, if applicable (e.g. filters)

*) In challenging operating environment 1000h of usage may not be reached with this spare parts package.

EXTENDED WARRANTY

Extended warranty extends the standard warranty period (12 months or 2000 usage hours) up to total 24 months or 3000 usage hours, whichever is reached first.

ELECTRONIC MANUALS ON THE WEB

LinkOne electronic spare parts and instruction manuals

TRAINING AND EXPERTISE SERVICES

Available before and at the equipment delivery - and during the whole equipment life-time!

Product training:

Operation and Maintenance
Automation - NorSmart
Foundation of electrics, hydraulics and mechanics
Trouble-shooting

Process & operator improvement audit for:

Concrete spraying
Charging
Scaling

Audit services to improve:

Performance, availability, maintenance & repair efficiency, safety, quality, environmental aspects

SERVICE CONTRACTS FOR

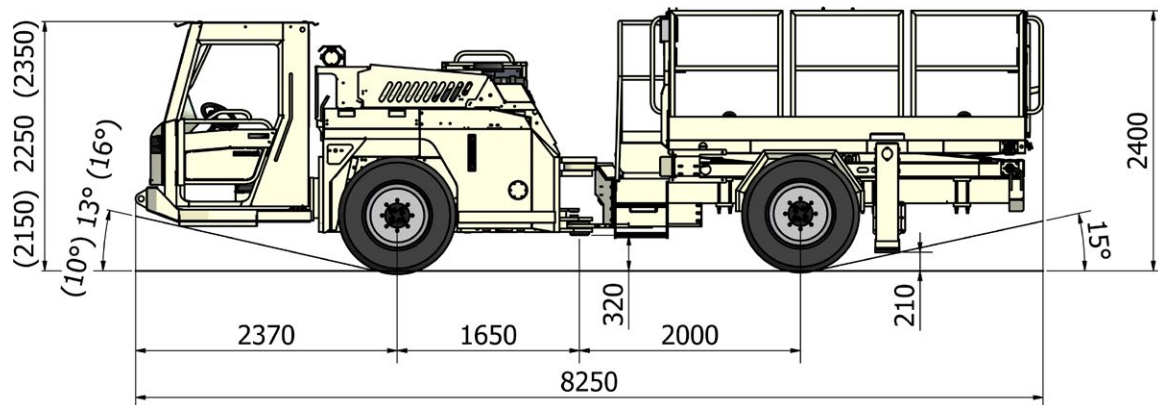
Spare parts supply
Scheduled inspection
Supervision
Scheduled maintenance
Preventive maintenance

EQUIPMENT HAND-OVER SERVICES

	Start-up training	Commissioning
1. Operator training		
1.1 Classroom training		No classroom training included in commissioning
General introduction and operation of machine	Comprehensive	
Safety instructions	Comprehensive	
Use of manuals	Comprehensive	
Technical introduction of equipment	Comprehensive	
Hands-on service and pre-operation checks	Comprehensive	
Controls and driving (starting, driving, stopping, parking)	Comprehensive	
Work method	Comprehensive	
1.2 Practical training		
Pre-operation checks	Comprehensive	Basic
Driving, starting, stopping, parking	Comprehensive	Basic
Preparing the machine for specific operation conditions	Comprehensive	Not covered
Operation	Comprehensive	Basic
Washing the machine	Comprehensive	Basic
Troubleshooting	Comprehensive	Basic
2. Maintenance and repair training		
General operation of machines	Comprehensive	Basic
Symbols of drawings and codes	Comprehensive	Not covered
Understanding hydraulic and electric schematics	Comprehensive	Basic
Control systems	Comprehensive	Basic
Function of main components (depending on equipment)	Comprehensive	Basic
Locations of components in the machine	Comprehensive	Not covered
Periodical maintenance	Comprehensive	Basic
Troubleshooting	Comprehensive	Not covered
Use of manuals	Comprehensive	Basic
Connection of hydraulic and electrical equipment	Comprehensive	Not covered

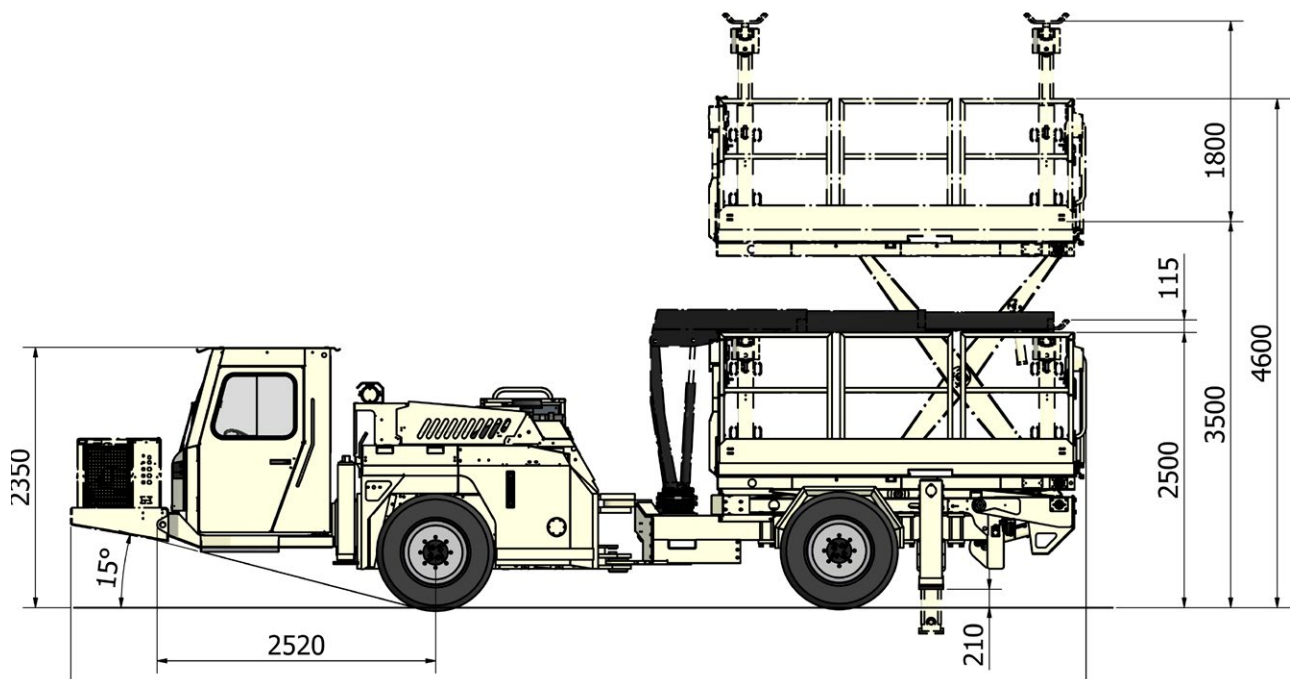
Normet reserves the right to change this specification without further notice.

Dimensions



SIDE VIEW

Basic machine



SIDE VIEW

Machine with options and additional equipment

DIMENSIONS

Length	8250 mm
Width	1800 mm
Height	2400 mm
Wheel base	3650 mm
Track	1650 mm
Ground clearance as shown	210 mm

TURNING RADIUS

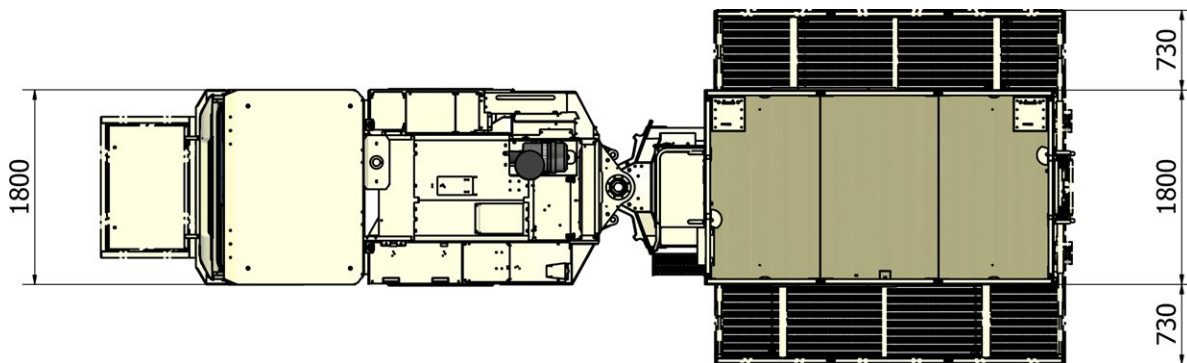
Outer	6400 mm
Inner	4000 mm

WEIGHT

Operating	10500 kg
-----------	----------

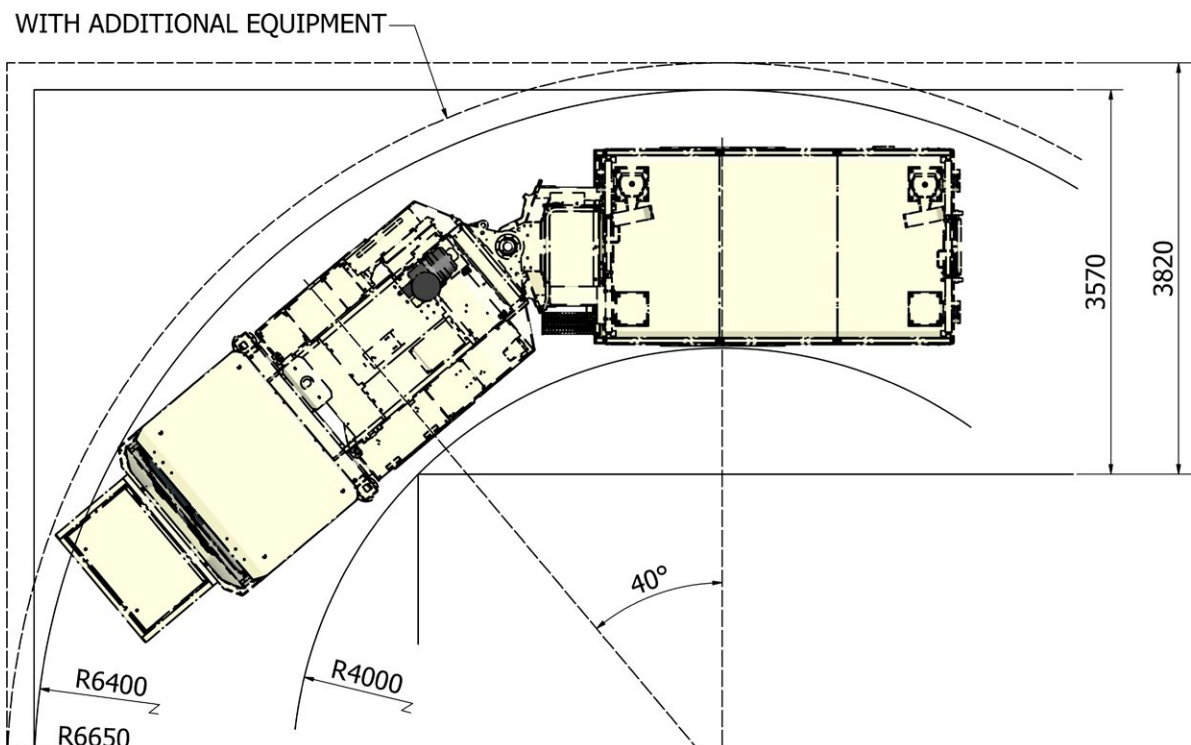
Normet reserves the right to change this specification without further notice.

Dimensions



TOP VIEW

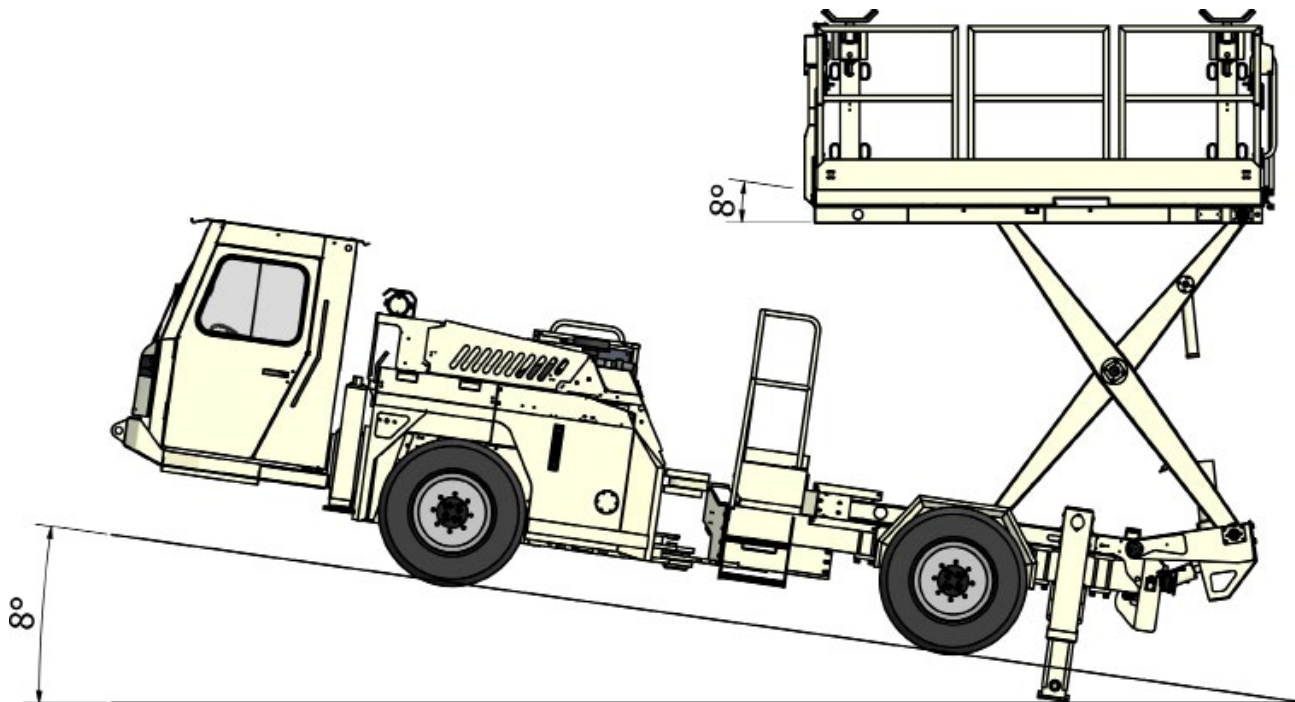
Machine with widened side extensions



TURNING RADIUS

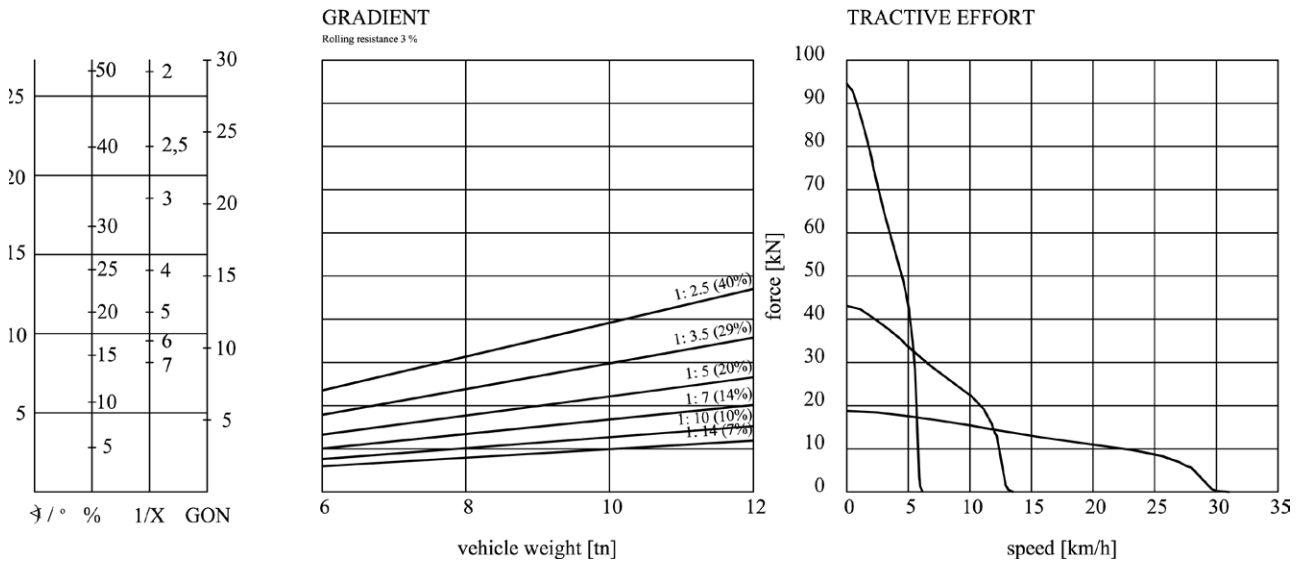
Normet reserves the right to change this specification without further notice.

Dimensions

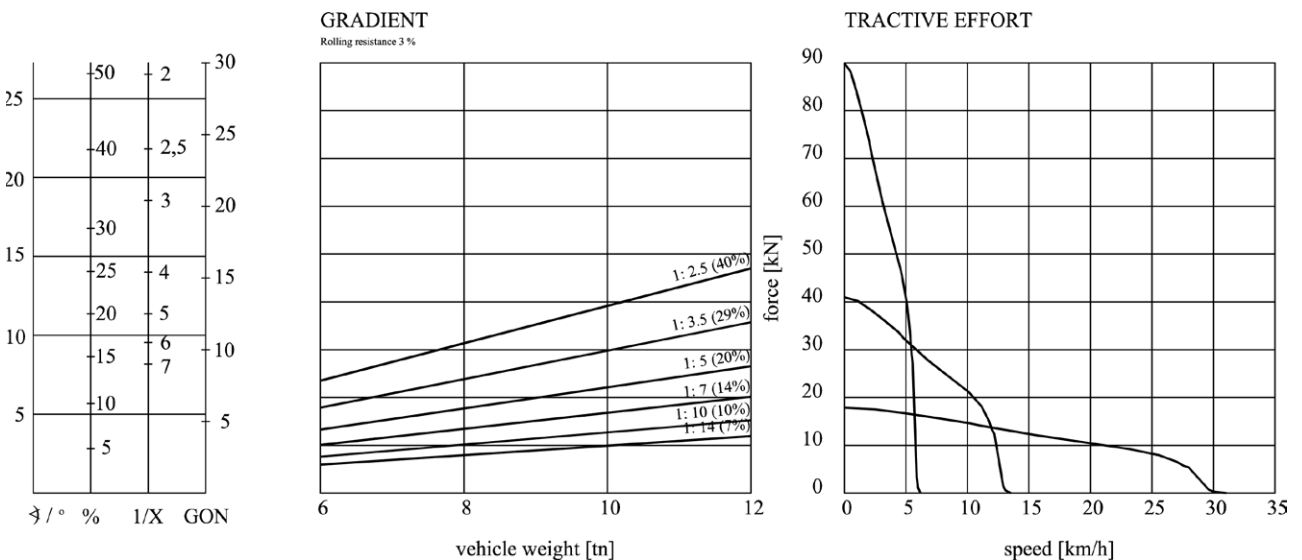


MACHINE IN 1:7 INCLINED (8 DEGREES) TUNNEL
Platform levelled with platform tilt

Tractive efforts



DEUTZ TCD 2012 L4 96 kW
Performance curve 4800031



MERCEDES-BENZ OM 904 LA 90 kW
Performance curve 4800032

Normet reserves the right to change this specification without further notice.