



Aliva®-302.1 Spraying arm

■ For mining and small tunnels

The Aliva®-302.1 spraying arm is perfect for working in mines or small tunnels. If space is limited the height can be custom reduced. With the spraying arm shotcrete can be applied quickly and efficiently.

■ Modular concept

The spraying arm Aliva®-302.1 Standard comes with hydraulic aggregate, control system, incl. cable remote control and headlights. If your carrier vehicle is already equipped with any of these components, the version can be modularly adapted.

■ Easy mounting on carrier vehicle

The Aliva®-302.1 spraying arm can be easily mounted onto your carrier vehicle. Special mounting screws are in the delivery included. The Standard version only requires an external power supply for operation. For this connect the base version with the hydraulic and the control voltage of the carrier vehicle.

normet

aliva III

Aliva[®]-302.1 Spraying arm

ADVANTAGES AND BENEFITS

- Easy assembly
- Easy handling
- Easy maintenance
- Up to 15m³/h (DN65)

STANDARD EQUIPMENT

- Control system
- Remote control (15m cable)
- Hydraulic aggregate
- Valve block
- Mounting screws

OPTIONS

- Radio control
- Head lights 2x460W
- Powered with compressed air
- Other accessories such as Converto Robo Spray, admixture-/air hose are listed in the Aliva[®] Converto spare parts catalog

Technical data sheet

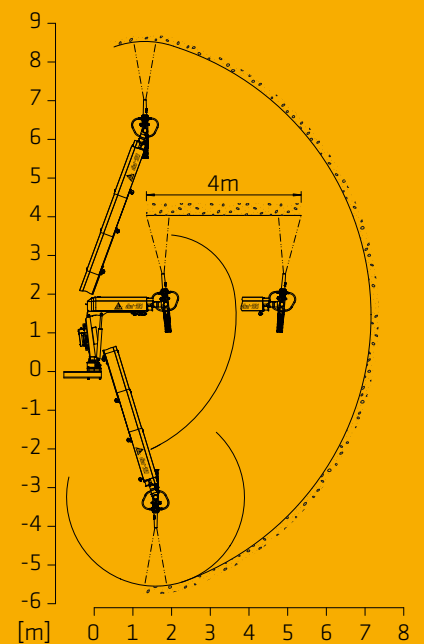
Spraying arm

Type of drive	Hydraulic
Max. oil pressure	210 bar ±5 bar
Required Oil flow	min.28 l/min max.40 l/min
Boom extension	3m
Pivoting range	360°
Raise/lower range	±70°
Rotation Sprayhead	Axial 360°
	Radial 240°
	Nozzle rotation
Transport Dimension incl. power pack mm	length 2260
	height 1290
	width 1300
Weight	580 kg

Power Pack

Type of drive	Electric motor
Oil pressure	210 bar ±5 bar
Oil flow	28 l/min
Motor power	9 kW
Fuse	32 A
Voltage	380-480 V 50/60 Hz
Protection class	IP 65
Tank contents	75 Liter
Dimension mm	length 755
	height 1110
	width 400
Weight (empty)	220 kg

Working area



Prior to use or processing, always consult the current product data sheet of the products used. The current version of our respective General Terms and Conditions applies.

Aliva[®]-302.1 on Aliva[®]-503.3



Aliva[®]-302.1 on a truck



NORMET INTERNATIONAL LIMITED

Aliva Equipment
Bellikerstrasse 218
CH-8967 Widen
Switzerland

Contact

Phone +41 58 436 32 22
www.aliva-equipment.com
aliva.equipment@normet.com

normet **aliva**