

C010 Compressor

C010 COMPRESSOR

TECHNICAL SPECIFICATION

Electric driven screw type compressor	
Free air delivery	10 m ³ /min
Max. pressure	7 bar
Electric motor	55 kW
Mains supply voltage	400 V / 50 Hz (IEC)

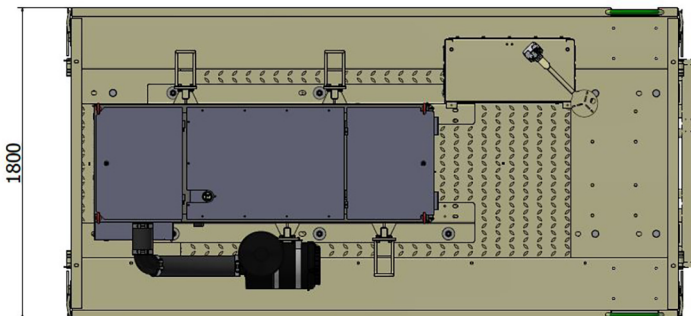
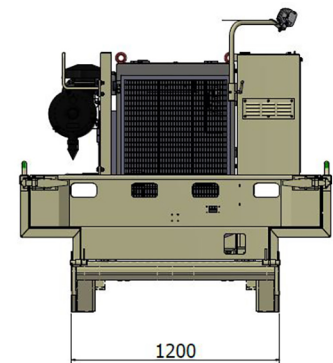
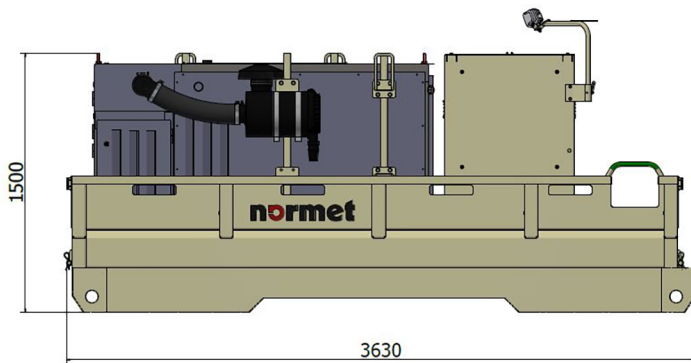
Air outlets:

- 3/4" with claw coupling
- 1 1/4" with screw type quick coupling

DIMENSIONS

Length	3630 mm
Width	1800 mm
Height of cassette	1500 mm
Height with Multimec SF 060 / MF 100	2190 / 2290 mm
Weight	2600 kg

DIMENSIONAL DRAWINGS



Normet reserves the right to change this specification without further notice

Pictures may include options and additional equipment.