

Stainless steel tank

2 separate tank sections

Closed compartment for fueling equipment

TECHNICAL SPECIFICATION

| | |
|----------------------------------|-----------|
| Carrying capacity | 5000 L |
| Hydraulic driven fuel pump | |
| Pumping Capacity | |
| Tank Filling | 300 L/min |
| Refueling | 90 L/min |
| Hose reel with 1" refueling hose | |
| Hose length | 8 m |
| Hand held fire extinguisher | 6 kg |
| Work lights | |

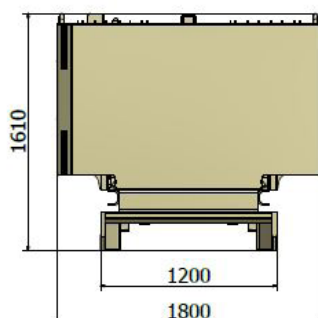
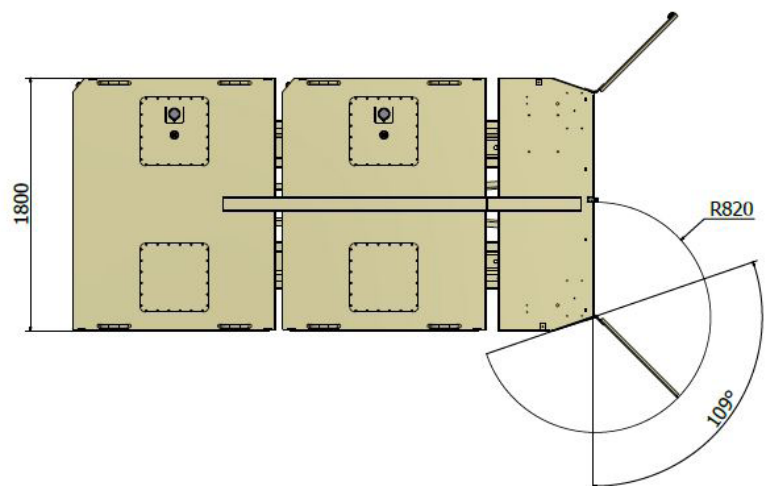
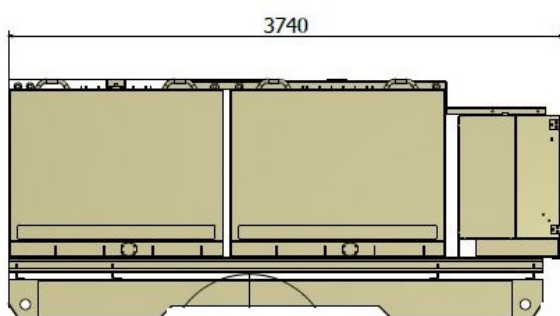
ACCESSORIES

| | |
|----------------------------|-----------|
| ○ Wiggins refueling system | |
| Pumping capacity | 150 L/min |
| Hose length | 6 m |

DIMENSIONS

| | |
|---------------------------------|----------------|
| Length | 3740 mm |
| Width | 1800 mm |
| Height | 1610 mm |
| Height (H) with SF 060 / MF 100 | 2260 / 2360 mm |
| Weight (empty) | 2300 kg |

DIMENSIONAL DRAWINGS



Normet reserves the right to change this specification without further notice.