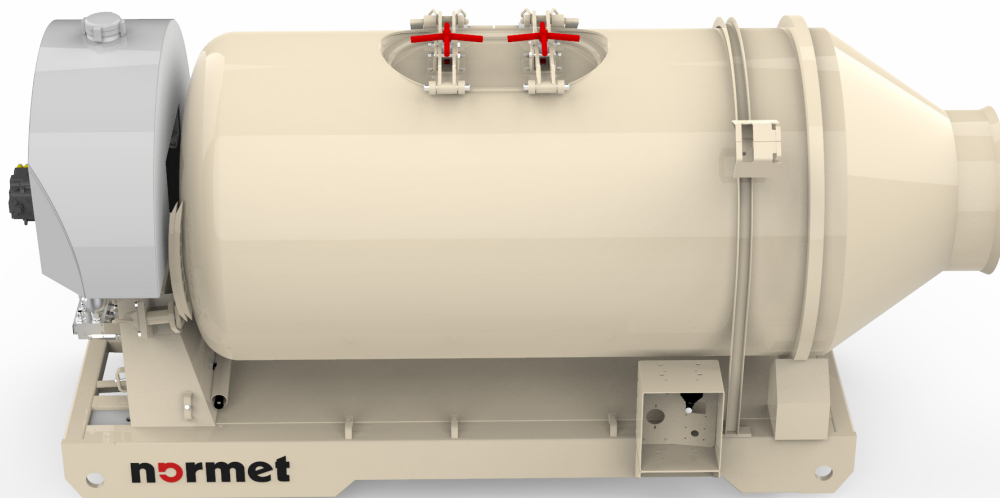


Optional high pressure washer with water tank

2.5 m³ practical carrying capacity



Compact design

TECHNICAL SPECIFICATION

Drum volume (100% fill)	3.1 m ³
Transportation capacity	2.5 m ³
Hydraulically controlled mixing and unloading	
Working lights	
Manual drum lock	

ADDITIONAL EQUIPMENT

- High pressure washer with 250 L water tank
- Water hose reel with 3/8" 15 m hose

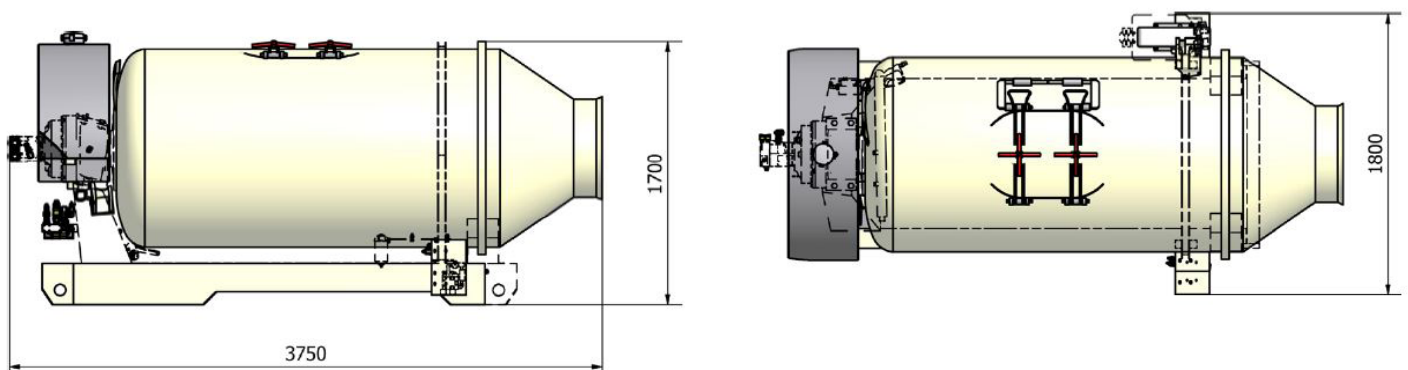
DIMENSIONS

Length	3750 mm
Width	1800 mm
Height	1700 mm
Height with SF 060 / MF 100	2450 / 2550 mm

WEIGHT

Empty	1800 kg
Full	7600 kg

DIMENSIONAL DRAWINGS



Normet reserves the right to change this specification without further notice.