

**WITH DYNAMO  
NO EXTERNAL  
POWER SUPPLY NEEDED**



# Aliva<sup>®</sup>-101 Quick Connect Dynamo SPRAY HEAD FOR YOUR EXCAVATOR

## ■ Quick and easy to mount

The new, robust Aliva-101 Quick Connect spray head is compatible with any standard quick release system and can be mounted on an excavator in no time at all.

## ■ For dry and wet mixes

When fitted with the Aliva<sup>®</sup> Converto spraying unit, the Aliva Quick Connect spray head can be used for dry and wet shotcrete. With the newly invented and stronger "Large" version it is now also possible to spray with a DN80 dense stream nozzle.

## ■ Compatible with rotary machines and concrete pumps

Together with a concrete pump or rotary machine, the Aliva-101 Quick Connect spray head becomes a self-sufficient concrete spraying system.

**normet**

**aliva<sup>®</sup>**

# Aliva® -101 Quick Connect Spray Head

## QUICK, EASY AND FLEXIBLE

The Aliva-101 Quick Connect spray head with a dynamo is the latest clever idea from Aliva! With the integrated dynamo no external power supply for operation is needed any longer. The Quick Connect spray head offers an extremely large and flexible range of applications due to its simple and rapid assembly on various machines, such as diggers, excavators, etc.. No matter whether you are working on slope stabilisations, excavations or tunnelling, with the Aliva Quick Connect spray head you will always be prepared to apply shotcrete with your own equipment.



### ADVANTAGES AND BENEFITS

- Suitable for any excavator
- Radio remote control
- Compatible with any quick-release system
- Connection to excavator hydraulics
- For wet and dry shotcrete
- Can be used with Aliva pumps and rotary machines as a complete, self-sufficient concrete spraying system

### VERSIONS: DYNAMO OR 12 / 24 VDC

- With dynamo, no external power supply needed
- 12 VDC (5A) or 24 VDC (5A), without dynamo

### VERSIONS AVAILABLE IN TWO SIZES:

- Standard for DN65 / 210bar
- Large for DN80 / 210bar (DN65 / 180bar)

### Technical data

Version	Weight in kg	Hose size	Hydraulic connection	Hydraulic oil pressure	Hydraulic oil flow
Standard	210	Max. DN65	G1" IT	Min. 210 bar Max. 350 bar	Min. 15 l/min. Max. 480 l/min
Large	230	Max. DN80	SAE CFS 404-GAS 1¼"		

For spraying you need an additional conveying machine. Prior to use or processing, always consult the current operating manual of the products used. The current version of our respective General Terms and Conditions applies.

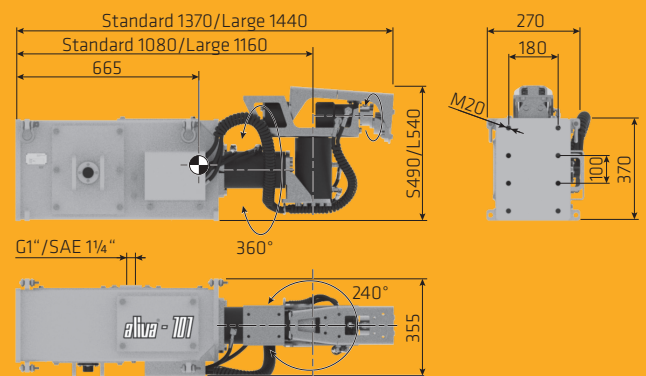
### COMPATIBLE WITH ALIVA SPRAYING SYSTEM

Aliva® Converto RoboSpray dense or thin-stream



### MOUNTING PLATE SYSTEM

Compatible with either a preset screw connection or welded onto any standard quick-release system.



### NORMET INTERNATIONAL LIMITED

Aliva Equipment  
Bellikerstrasse 218  
CH-8967 Widen  
Switzerland

### Contact

Phone +41 58 436 32 22  
www.aliva-equipment.com  
aliva.equipment@normet.com

**normet** **aliva**