

Bulk emulsion unit 1500 kg

Pictured machine may include options and additional equipment.

## FEATURES

Normet Emulsion Charging Module has capability for development and production charging. It is designed for Forciti Kemiitti K810 or Downer DBS AquaMAX 9000 modern site sensitized bulk emulsions. It has capability to deliver decoupled charges in development charging or different densities in production charging. Standard delivery includes development charging hose reel. An optional hose pusher eliminates the physical stress of manual hose handling and makes production charging fast. Graphical user interface is standard enabling ergonomic and fast operation. Different tank capacities cover matrix payloads of 1,5 ton and 3 tons. Payload is optimized for Normet Charmec underground mining carriers.

- **Safety.** Low and high pumping pressure, high temperature and no flow are used to stop process and reason for it is indicated in graphical user interface on man lifting basket. User interface has different access levels enabling safe use starting from limited access of base operating to full access of service and maintenance.
- **Ergonomy.** Graphical user interface with radio control creates ergonomic user environment. Development hose reel drives mechanically charging hose in development charging. Hose pusher eliminates heavy work in production charging.
- **Productivity.** Pumping system has capability up to 95 kg/min matrix delivery which allows convenient and fast charging work to production holes up to diameter of 102 mm.
- **Accuracy.** Charging system can be calibrated to accuracy +/- 5%. Closed loop control system enables fast and accurate process control among other if ambient temperature changes.
- **Reporting and data transferring.** Development and production charging reports are based on JSON standard. USB based data delivery comes with standard and WLAN data transfer is optional.

Normet reserves the right to change this specification without further notice.

**Technical specification****STANDARD DELIVERY**

Emulsion mixing and pumping unit  
Face charging reel  
Radio control for charging  
Frame process lines from charging kit to hose reel  
Process control box in basket

**MATRIX CAPACITY**

1500 kg

**MATRIX DELIVERY RATE**

10 - 95 kg/min

**PRODUCT TYPES**

Forcit Kemiitti K810, DBS AquaMAX 9000

**CONTROL SYSTEM**

NorSmart CAN bus control. Graphical user interface.  
Radio control for all functions. Online process and  
fault diagnostics

**REPORTING**

JSON based round reporting

**DATA TRANSFER**

USB

**OPERATING ENERGY NEED**

Load sense hydraulics max 80 l/min, 130 bar depend-  
ing on options. Electrical supply 10 A, 24 VDC

**ELECTRICAL SYSTEM**

Exposed components are min IP 65 standard. Wire  
harness are self-extinguishing with tinned wires and  
water tight conduits

**CARRIERS**

Standard module is suitable for machines where emul-  
sion module is located in the center of the machine:

- Normet Charmec 1605 and 1610 front cabin
- SF 405/505, MF 505/605

**Optional equipment****MATRIX CAPACITY**

3000 kg

**Additional equipment****CHARGING SYSTEM**

Hose pusher and reel for production charging  
Acetic acid additive dosing system  
Different charging hoses  
Matrix re-filling pump: 200 kg/min  
Matrix tank level sensor  
Electrical operation with power pack

**EMULSION HOSES**

For production charging

- 40/32.6, 30 m or 60 m

**CARRIERS**

**Rear mounting kit** Installation kit for machines where  
emulsion module is located at the rear end of the ma-  
chine. Includes:

- hook mounting
- frame for support legs
- bumper and lights
- service/cover hatches

Ready designed for:

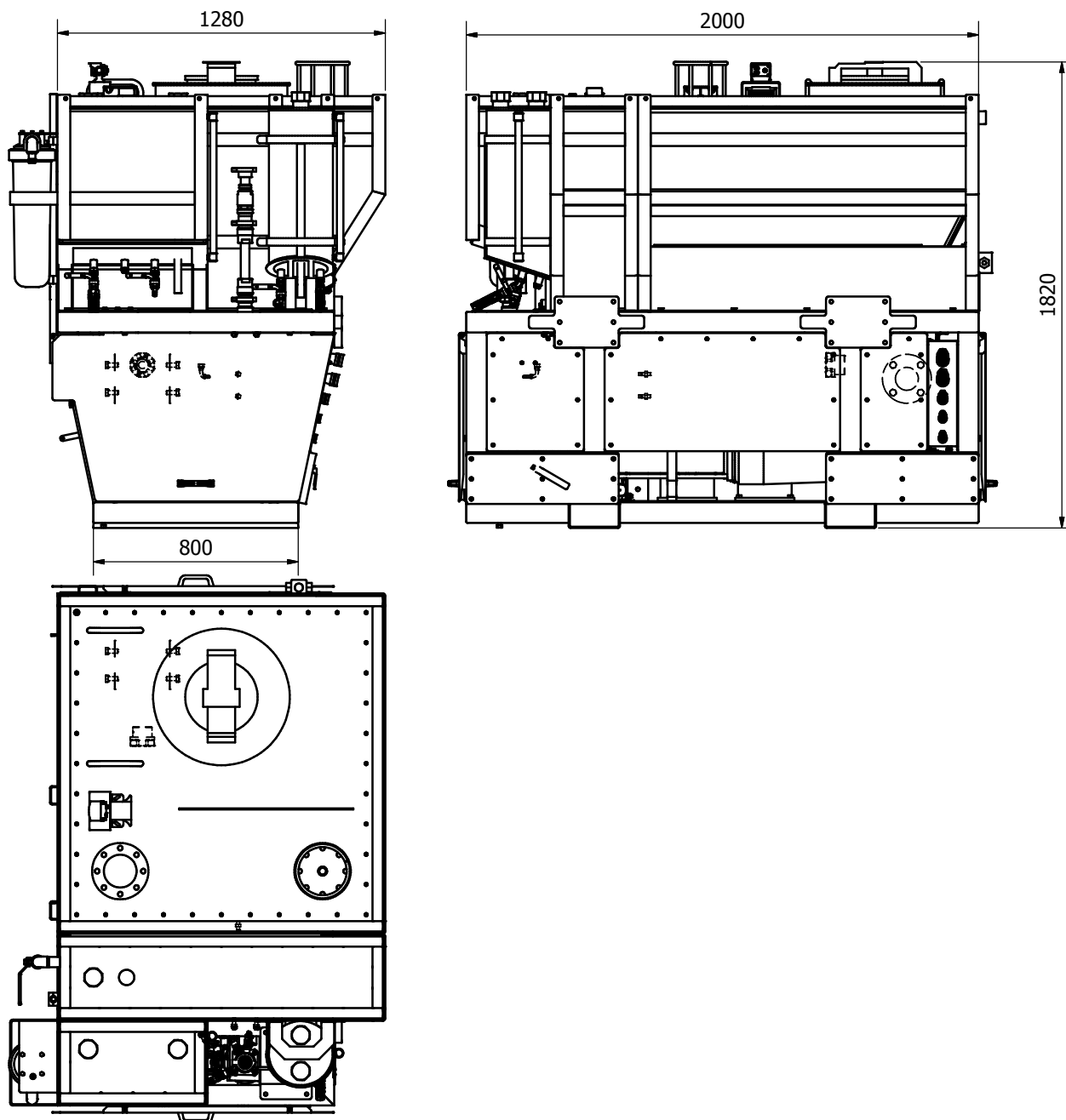
- Normet Charmec 1605 and 1610 center cabin
- MC/LC 605
- RM-carrier
- Others on request

**DATA TRANSFER**

WLAN

Normet reserves the right to change this specification without further notice.

## Dimensions

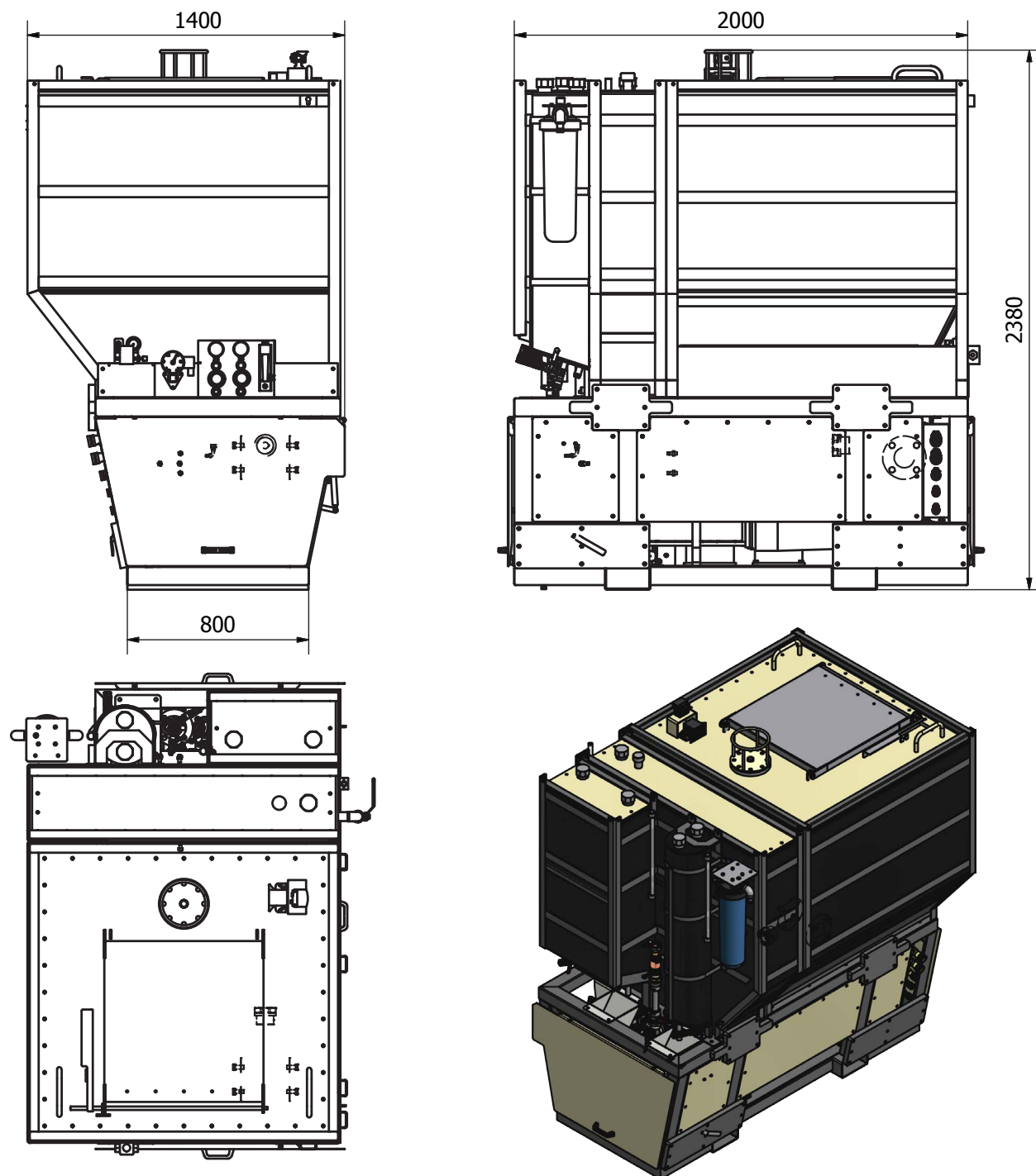
**BULK EMULSION UNIT, 1500 kg matrix capacity**

## Weight

- empty 1450 kg
- loaded 3320 kg

Normet reserves the right to change this specification without further notice.

## Dimensions

**BULK EMULSION UNIT, 3000 kg matrix capacity**

## Weight

- empty 1565 kg
- loaded 5300 kg

Normet reserves the right to change this specification without further notice.



Charmec SF 405 D with 1.5 ton module



Charmec MF 505 D with 1.5 ton module

Normet reserves the right to change this specification without further notice.



Charmec MF 605 D with 1.5 ton module



Charmec MC 605 D with 1.5 ton module

Normet reserves the right to change this specification without further notice.



**Charmec LC 605 D with 3 ton module**



**Charmec RM 905 VEC with 3 ton module**

Normet reserves the right to change this specification without further notice.