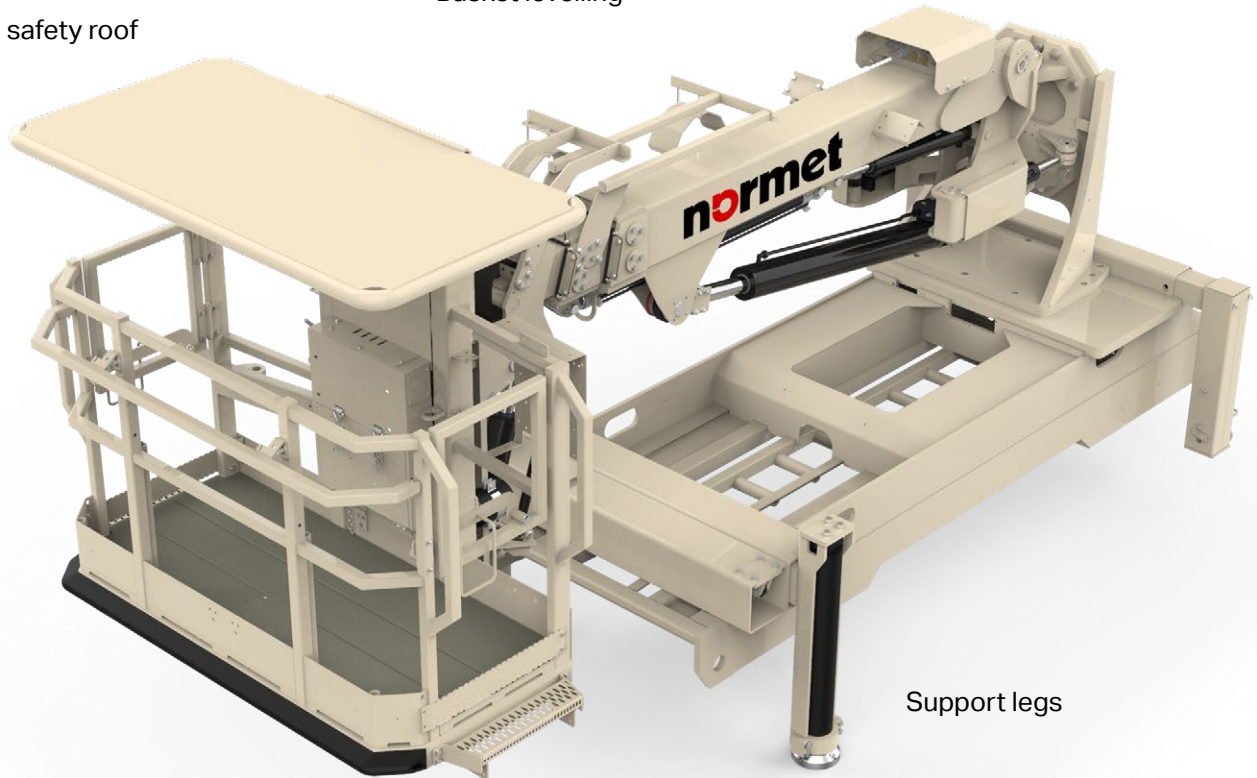


Optional safety roof

Basket levelling



Different size baskets available

Support legs

TECHNICAL SPECIFICATION

2-men short basket	
Lifting capacity	300 kg
Boom lift	-13°...+ 60°
Max. Lifting height (basket floor)	6 m
Max. Vertical reach	7.5 m
Boom slew left 20° and right 25°	
Automatic levelling of basket	
Emergency ladders for emergency escape from basket	
Functional stop actuator in basket and lower control place	
Boom tram support	
Work lights	
CE label not available	

ADDITIONAL EQUIPMENT

- Safety bar
- Safety roof with hydraulic lift
Reduces lifting capacity 100 kg
- Safety roof with hydraulic lift and slide
Reduces lifting capacity 200 kg

DIMENSIONS

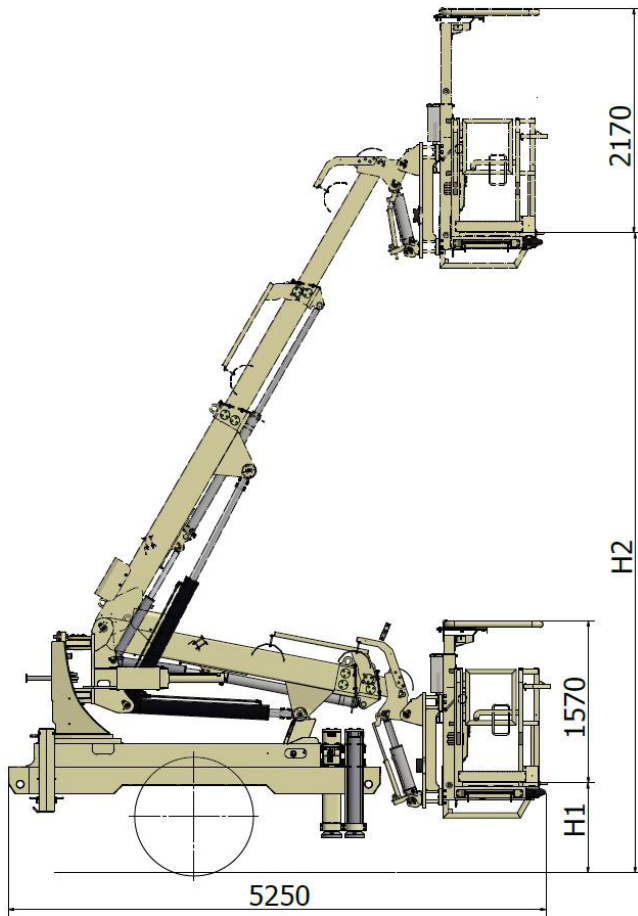
Length	5250 mm
Width	2200 mm
Height with SF 060 / MF 100	2500 mm / 2600 mm
Weight	4800 kg

OPTIONAL EQUIPMENT

- 1-man small basket

Normet reserves the right to change this specification without further notice.

DIMENSIONAL DRAWINGS



SIDE VIEW & BOOM REACH

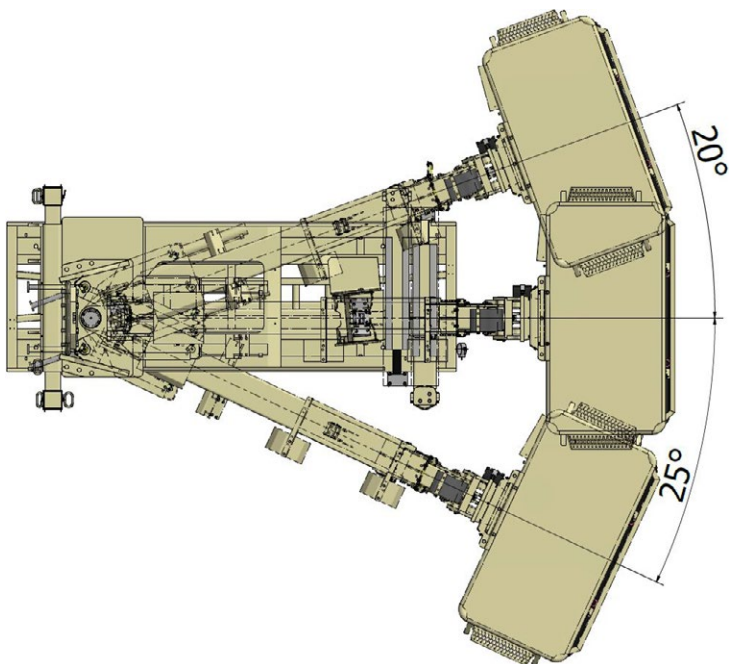
BOOM REACH AND DIMENSIONS

Multimec SF

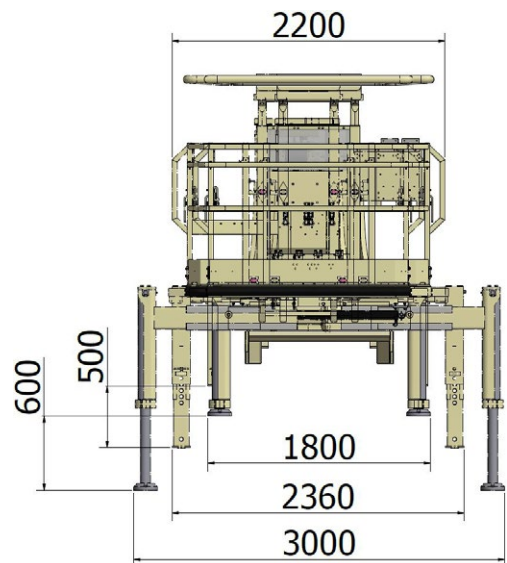
Height H1	850 mm
Height H2	6190 mm
Length	9570 mm
Turning radius	
Outer	6800 mm
Inner	4030 mm

Multimec MF

Height H1	950 mm
Height H2	6290 mm
Length	9740 mm
Turning radius	
Outer	6850 mm
Inner	3950 mm



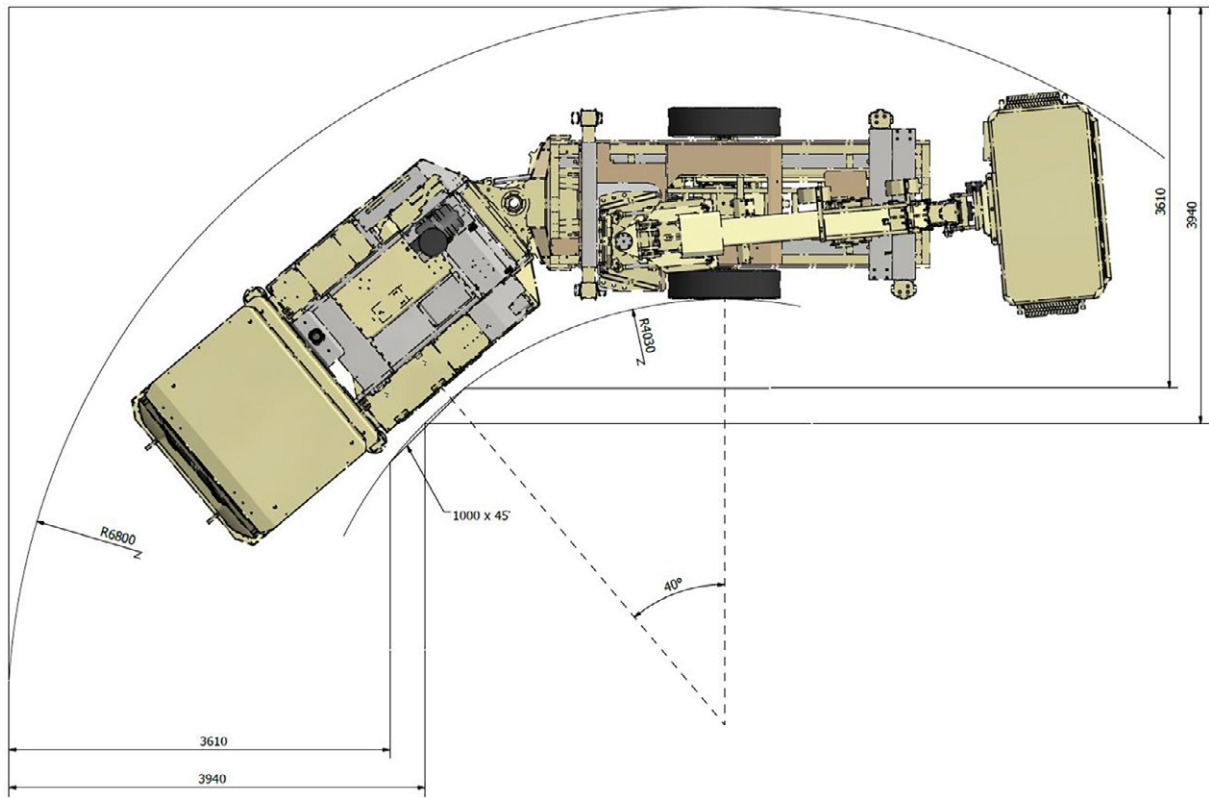
TOP VIEW



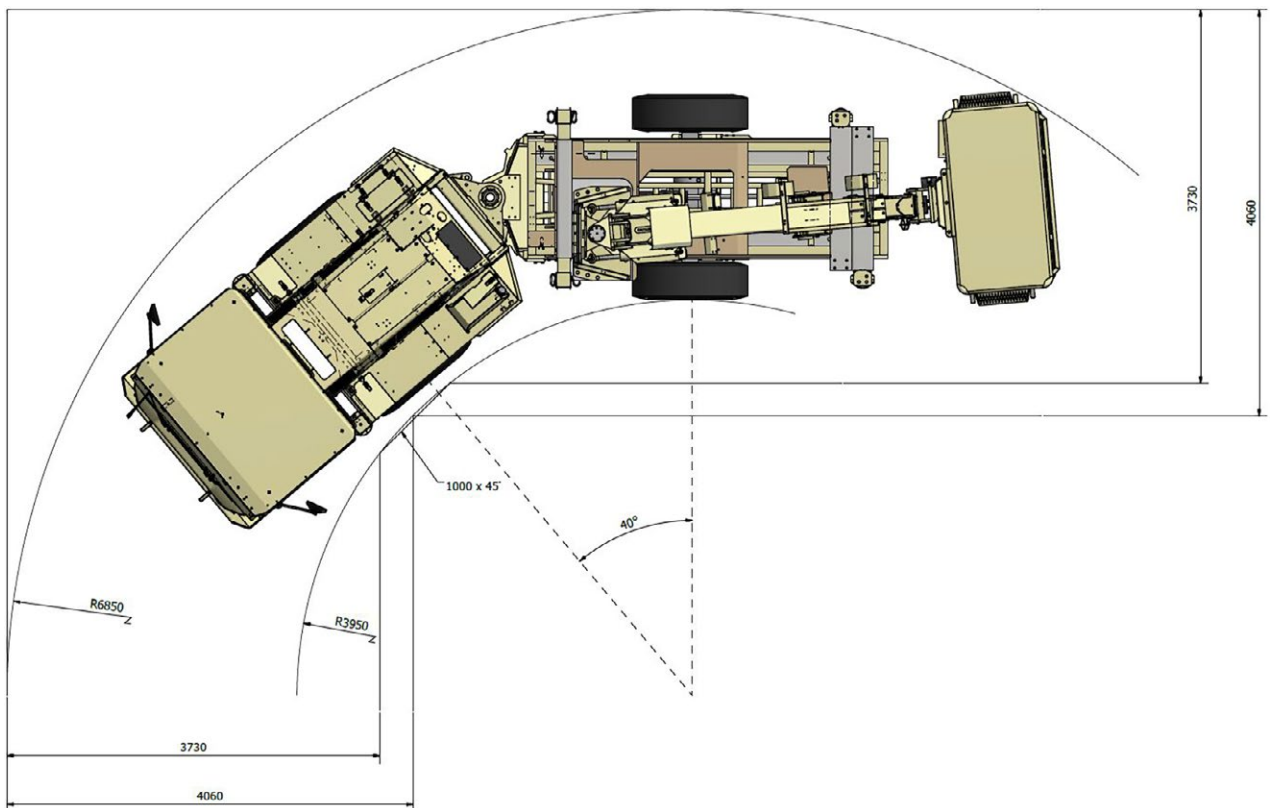
REAR VIEW

Normet reserves the right to change this specification without further notice.

DIMENSIONAL DRAWINGS



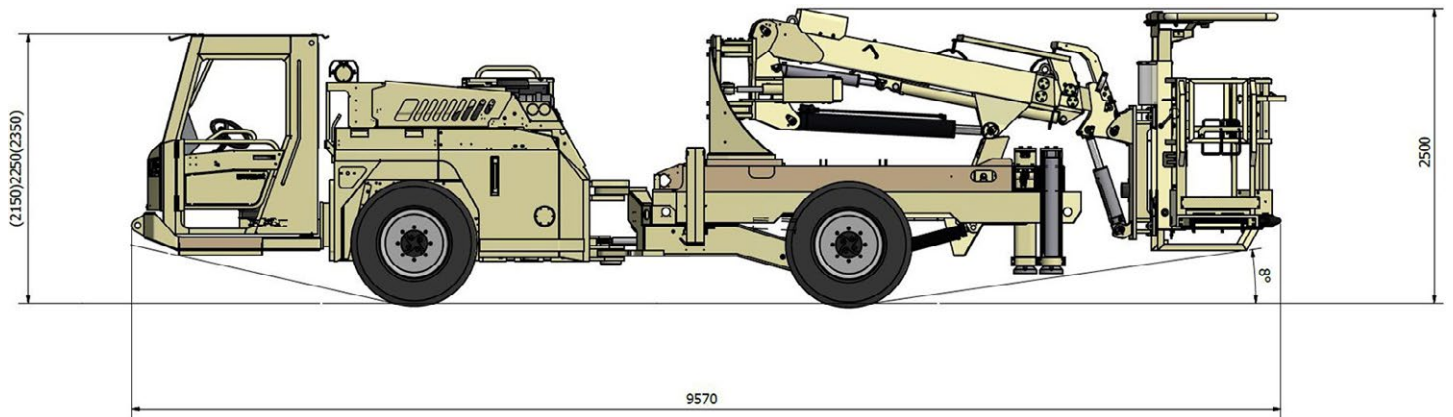
TURNING RADIUS SF 060



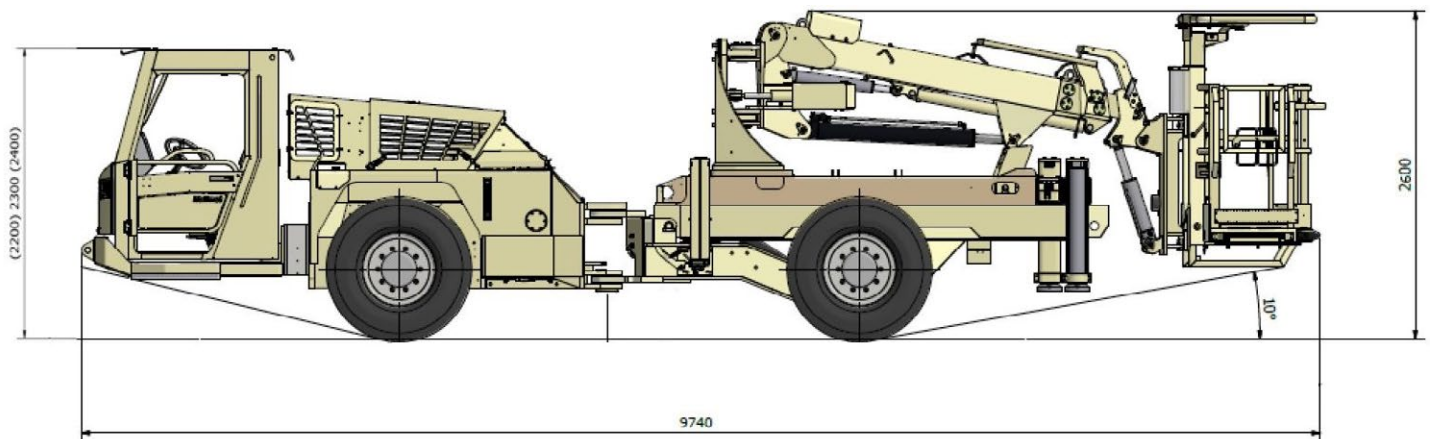
TURNING RADIUS MF 100

Normet reserves the right to change this specification without further notice.

DIMENSIONAL DRAWINGS



SIDE VIEW
CASSETTE WITH MULTIMEC SF 060



SIDE VIEW
CASSETTE WITH MULTIMEC MF 100