



Hydraulic Breakers S-Range



Normet reserves the right to change this specification without further notice

Pictures may include options and additional equipment.

INTRODUCTION

Normet Xrock Breakers are made for professional use for excavators from 4 ton up to 100 ton. Breakers can be used on all common applications and tailored for special applications such as underwater jobs and extreme, hot applications. A diverse selection of breakers with small weight differences between 330 kg and 7200 kg ensure perfect match on every carrier.

S-RANGE

S-range is the most compact range, consisting of two breakers designed to be used in crushing plants, and urban and infrastructure works such as demolition and roadside breaking. Their working weights are 330 kg and 450 kg, meant for excavators from 4 ton up to 9 ton. Both S-range breakers have a wide selection of tools available. They are vibration and noise dampened, and they have membrane type accumulator, and durable polyurethane buffers as a standard. For special applications we offer optional hot and underwater kits.

normet XROCK®



TECHNICAL SPECIFICATION

HYDRAULIC BREAKERS

XB5

Impact rate	440-890 bpm
Tool diameter	70 mm
Noise level	125 dB

XB6

Impact rate	490-990 bpm
Tool diameter	75 mm
Noise level	127 dB

Pressure hose

- Left side
- Right side

HYDRAULIC SYSTEM

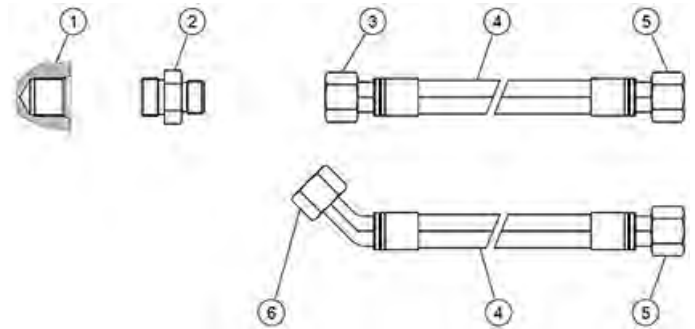
XB5

Oil flow	30-60 l/min
Operating pressure	115-125 bar
Relief pressure	180 bar
Back pressure max.	10 bar

XB6

Oil flow	50-100 l/min
Operating pressure	115-125 bar
Relief pressure	180 bar
Back pressure max.	10 bar

HOSES



- 1 Breaker port
- 2 Breaker port to hose head (nipple size)
- 3 Head of hose (breaker side)
- 4 Hose
- 5 Head of hose (excavator side)
- 6 Head of hose (breaker side)

IN HOSES	Models	
	XB5	XB6
Breaker Port	3/4"	1"
Nipple (Breaker)	3/4" - 1/2"	1" - 3/4"
Hose Head (Breaker)	1/2"	3/4"
Hose size	3/4"	3/4"
Hose working pressure	190-250 bar	190-250 bar
Length (cm)	*	*
Hose Head (Excavator)	*	*

OUT HOSES	Models	
	XB5	XB6
Breaker Port	3/4"	1"
Nipple (Breaker)	3/4" - 1/2"	1" - 3/4"
Hose Head (Breaker)	1/2"	3/4"
Hose size	3/4"	3/4"
Hose working pressure	190-250 bar	190-250 bar
Length (cm)	*	*
Hose Head (Excavator)	*	*

*) The measurement depends on the excavator model

TECHNICAL DOCUMENTATION

Standard documents:

Instruction manuals, hard copy 1 pcs:

- English
- Russian
- One of destination EU languages

Spare parts manuals, hard copy 1 pcs:

- English

PDF manuals on USB-stick 1 pcs, includes instruction and spare parts manuals

Additional documentation:

- Extra hard copies of manuals
- Extra PDF manuals
- LinkOne WebView electronic manuals
- Other than standard language manuals
- Dimensional (G.A.) drawings

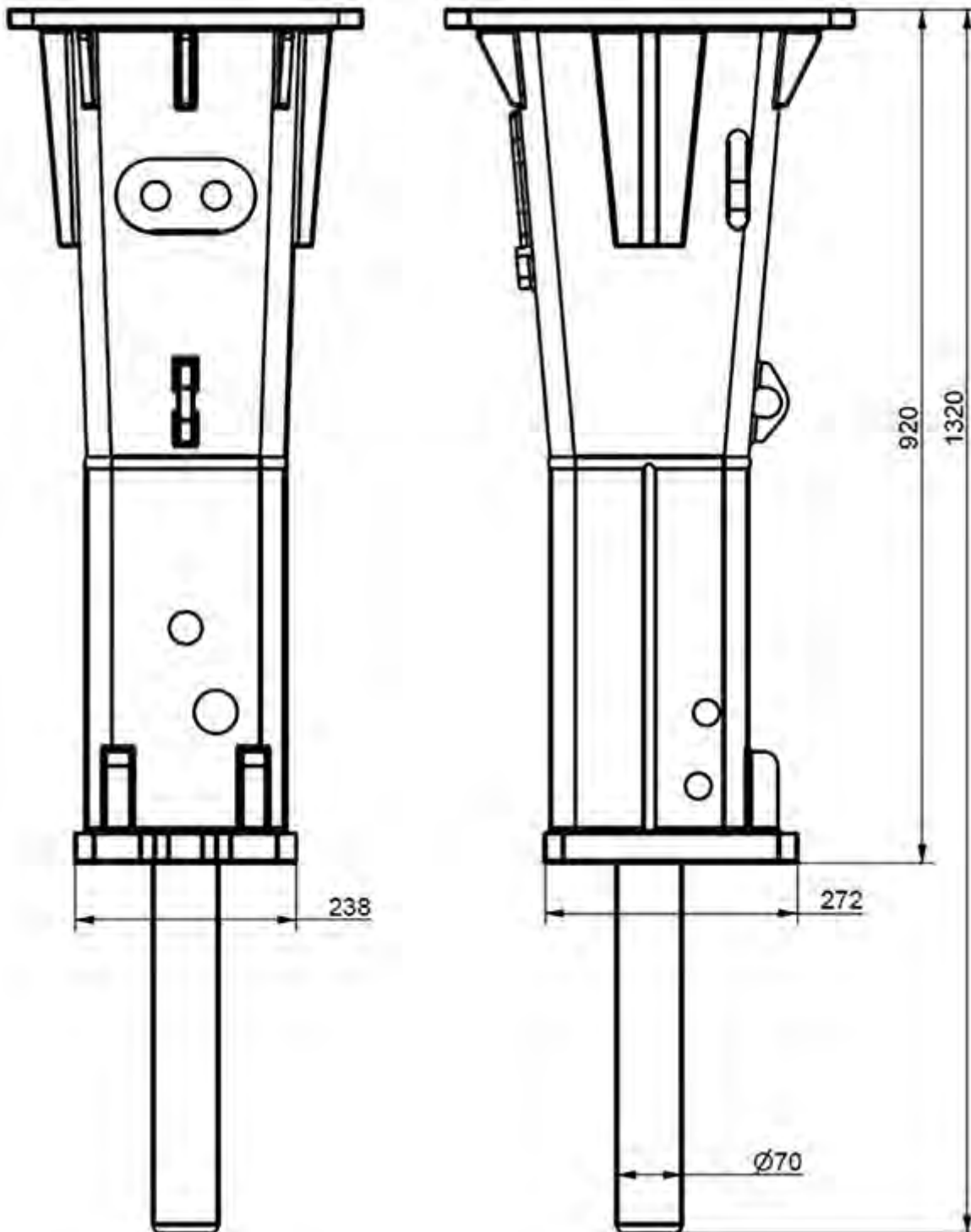
ACCESSORIES

MAIN ACCESSORIES

- Underwater use kit
- Hot application kit

PROCESS PRODUCTIVITY

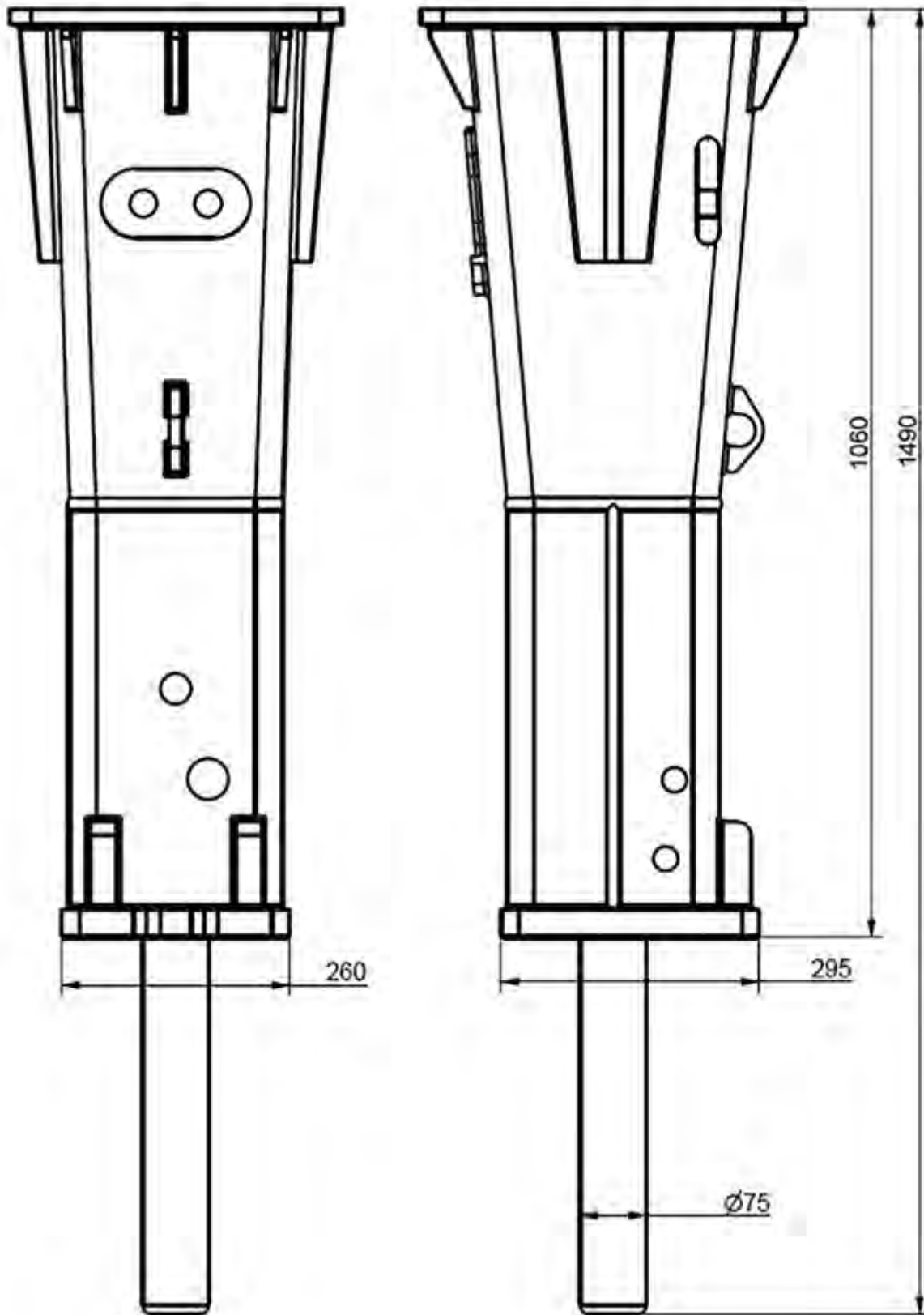
- Automatic lubrication system

DIMENSIONS**SIDE VIEW XB5**

Normet reserves the right to change this specification without further notice

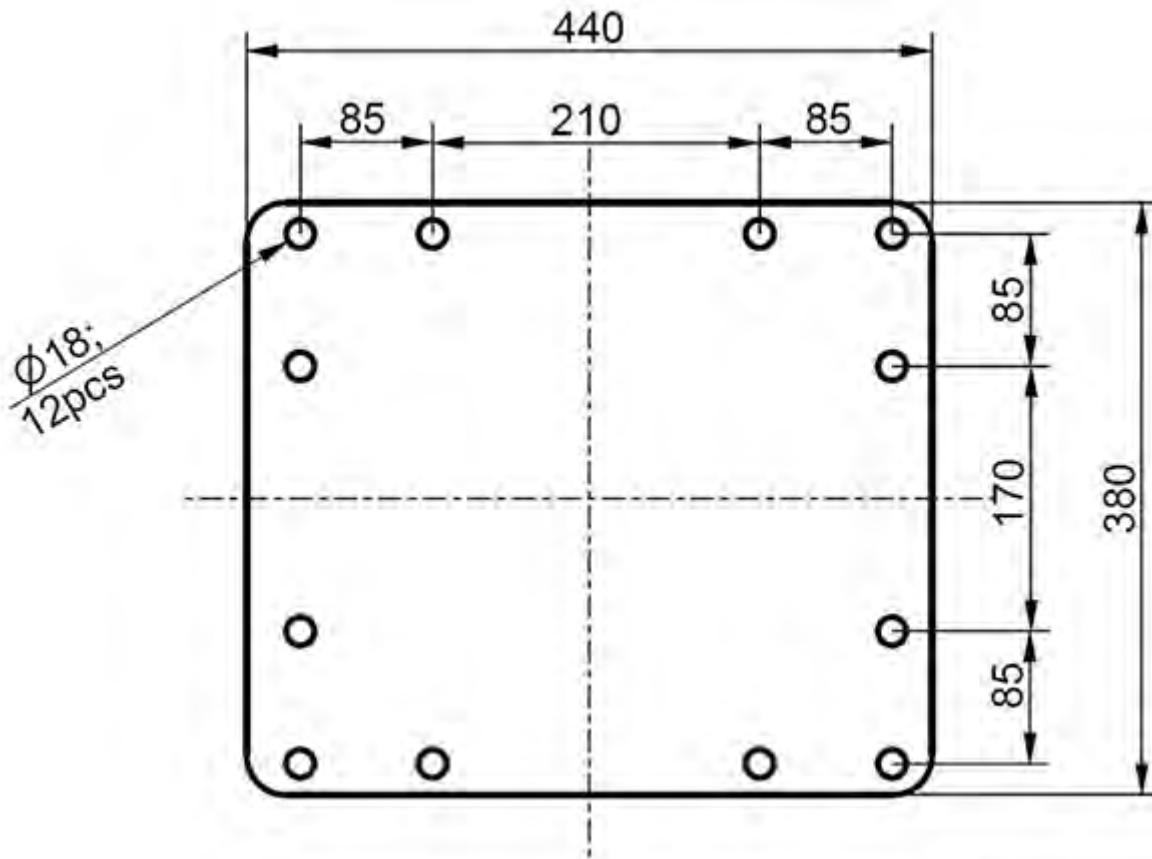
Pictures may include options and additional equipment.

SIDE VIEW XB6

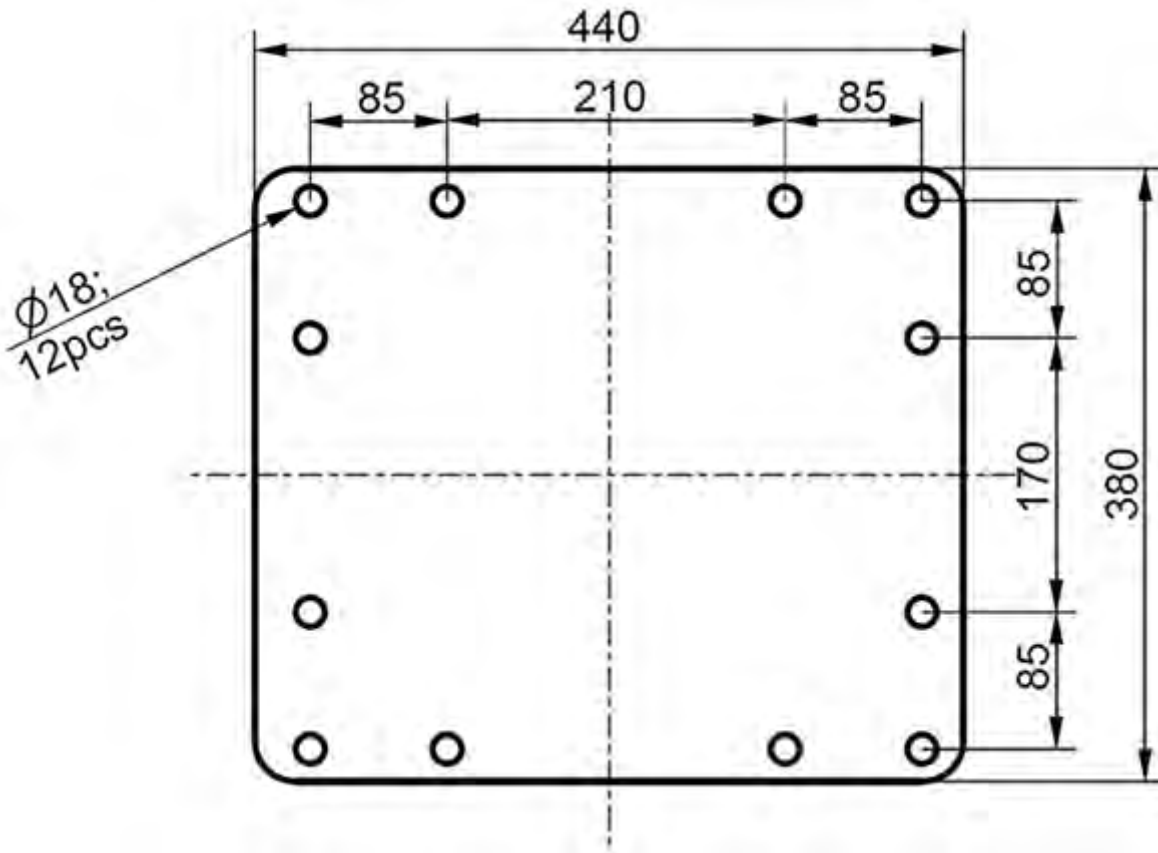


Normet reserves the right to change this specification without further notice

Pictures may include options and additional equipment.

TOP VIEW XB5

TOP VIEW XB6



OPERATING WEIGHT

XB5 weight	330 kg
Excavator weight	4000-7000 kg
XB6 weight	450 kg
Excavator weight	6000-9000 kg

final machine weight variate in agree with selected options

SERVICES

NORMET SERVICES

Our services cover the whole life cycle of your equipment. They include start-up and commissioning, genuine spare parts, upgrades & modifications, and remanufacturing, as well as rental and leasing offerings, and field services. We also offer improvement services such as operator training and process audits.

SPARE PARTS

Genuine parts from Normet Services ensure that you always have the highest quality parts available to keep your equipment up and running. Depending on your needs, we can offer everything from individual parts to complete parts contracts, and our professionals around the world have the experience to ensure that you have the parts you need when you need them.

Initial spare part packages:

Normet Xrock products have service kits available for commissioning, 2-year and 4-year operation and most critical parts.

UPGRADES AND MODIFICATIONS

Our Upgrades and Modifications services are designed to ensure the economical, efficient and purposeful performance of

your equipment over its entire life cycle. A service provided by a reliable OEM like Normet ensures the safety and performance of your equipment. Normet Upgrades and Modifications save you both time and money, while delivering the high quality you expect from us.

SERVICE CONTRACTS

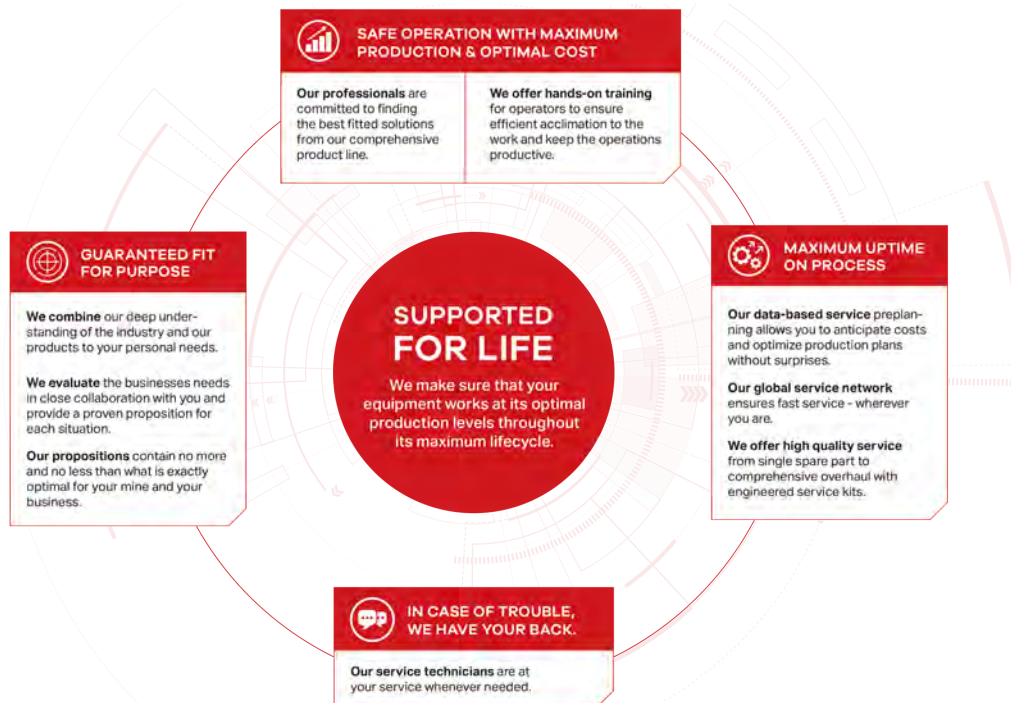
With a service agreement, Normet manages your fleet with guaranteed availability and agreed costs, giving you transparency for your life cycle costs, annual operational budget and fleet uptime. This lets you focus on your core operations. Each service agreement is built and customized to meet the individual customer's needs from our portfolio of services. Depending on the level of service agreement you need, you can choose anything from basic technical support for an individual machine all the way up to services for your entire fleet, as well as process performance. The service levels we offer are:

- Parts Availability
- Fleet Support
- Fleet Availability
- Process Performance

The content of a service level can be tailored to meet your particular requirements.

TRAINING SERVICE

Our Training Services are available for you and your operators throughout the equipment lifecycle and they include:



START-UP AND COMMISSIONING

1. OPERATOR TRAINING

	Start-up training	Commissioning
1.1 Classroom training		
General introduction and operation of machine	Basic	No classroom training included in commissioning
Safety instructions	Basic	
Use of manuals	Basic	
Technical introduction of equipment	Basic	
Hands-on service and pre-operation checks	Basic	
Controls and driving (starting, driving, stopping, parking)	Basic	
1.2 Practical training		
Pre-operation checks	Basic	Introduction
Driving, starting, stopping, parking	Basic	Introduction
Preparing the machine for specific operation conditions	Basic	Not covered
Operation	Basic	Introduction
Washing the machine	Basic	Introduction
Troubleshooting	Basic	Basic

2. MAINTENANCE AND REPAIR TRAINING

General operation of machines	Basic	Introduction
Symbols of drawings and codes	Basic	Not covered
Understanding hydraulic and electric schematics	Basic	Introduction
Control systems	Basic	Introduction
Function of main components (depending on equipment)	Basic	Introduction
Locations of components in the machine	Basic	Not covered
Periodical maintenance	Basic	Introduction
Troubleshooting	Basic	Not covered
Use of manuals	Basic	Introduction
Connection of hydraulic and electrical equipment	Basic	Not covered