



Hydraulic Breakers S-Range



Normet reserves the right to change this specification without further notice

Pictures may include options and additional equipment.

INTRODUCTION

Normet Xrock Breakers are made for professional use for excavators from 4 ton up to 100 ton. Breakers can be used on all common applications and tailored for special applications such as underwater jobs and extreme, hot applications. A diverse selection of breakers with small weight differences between 330 kg and 7200 kg ensure perfect match on every carrier.

S-RANGE

S-range is the most compact range, consisting of two breakers designed to be used in crushing plants, and urban and infrastructure works such as demolition and roadside breaking. Their working weights are 330 kg and 450 kg, meant for excavators from 4 ton up to 9 ton. Both S-range breakers have a wide selection of tools available. They are vibration and noise dampened, and they have membrane type accumulator, and durable polyurethane buffers as a standard. For special applications we offer optional hot and underwater kits.

normet
XROCK®

TECHNICAL SPECIFICATION

HYDRAULIC BREAKERS

XB5

Impact rate	440-890 bpm
Tool diameter	70 mm
Noise level	125 dB

XB6

Impact rate	490-990 bpm
Tool diameter	75 mm
Noise level	127 dB

Pressure hose

- Left side
- Right side

HYDRAULIC SYSTEM

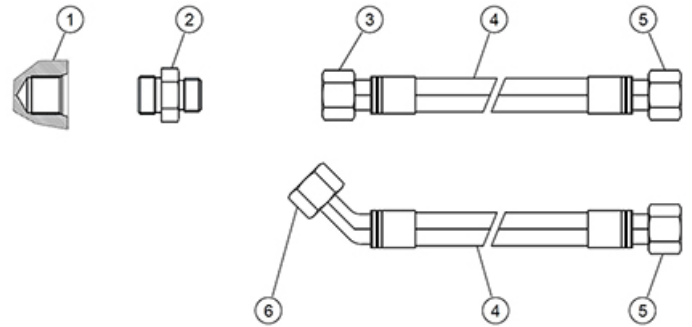
XB5

Oil flow	30-60 l/min
Operating pressure	115-125 bar
Relief pressure	180 bar
Back pressure max.	10 bar

XB6

Oil flow	50-100 l/min
Operating pressure	115-125 bar
Relief pressure	180 bar
Back pressure max.	10 bar

HOSES



- 1 Breaker port
- 2 Breaker port to hose head (nipple size)
- 3 Head of hose (breaker side)
- 4 Hose
- 5 Head of hose (excavator side)
- 6 Head of hose (breaker side)

IN HOSES	Models	
	XB5	XB6
Breaker Port	3/4"	1"
Nipple (Breaker)	3/4" - 1/2"	1" - 3/4"
Hose Head (Breaker)	1/2"	3/4"
Hose size	3/4"	3/4"
Hose working pressure	190-250 bar	190-250 bar
Length (cm)	*	*
Hose Head (Excavator)	*	*

OUT HOSES	Models	
	XB5	XB6
Breaker Port	3/4"	1"
Nipple (Breaker)	3/4" - 1/2"	1" - 3/4"
Hose Head (Breaker)	1/2"	3/4"
Hose size	3/4"	3/4"
Hose working pressure	190-250 bar	190-250 bar
Length (cm)	*	*
Hose Head (Excavator)	*	*

*) The measurement depends on the excavator model

TECHNICAL DOCUMENTATION

Standard documents:

Instruction manuals, hard copy 1 pcs:

- English
- Russian
- One of destination EU languages

Spare parts manuals, hard copy 1 pcs:

- English

PDF manuals on USB-stick 1 pcs, includes instruction and spare parts manuals

Additional documentation:

- Extra hard copies of manuals
- Extra PDF manuals
- LinkOne WebView electronic manuals
- Other than standard language manuals
- Dimensional (G.A.) drawings

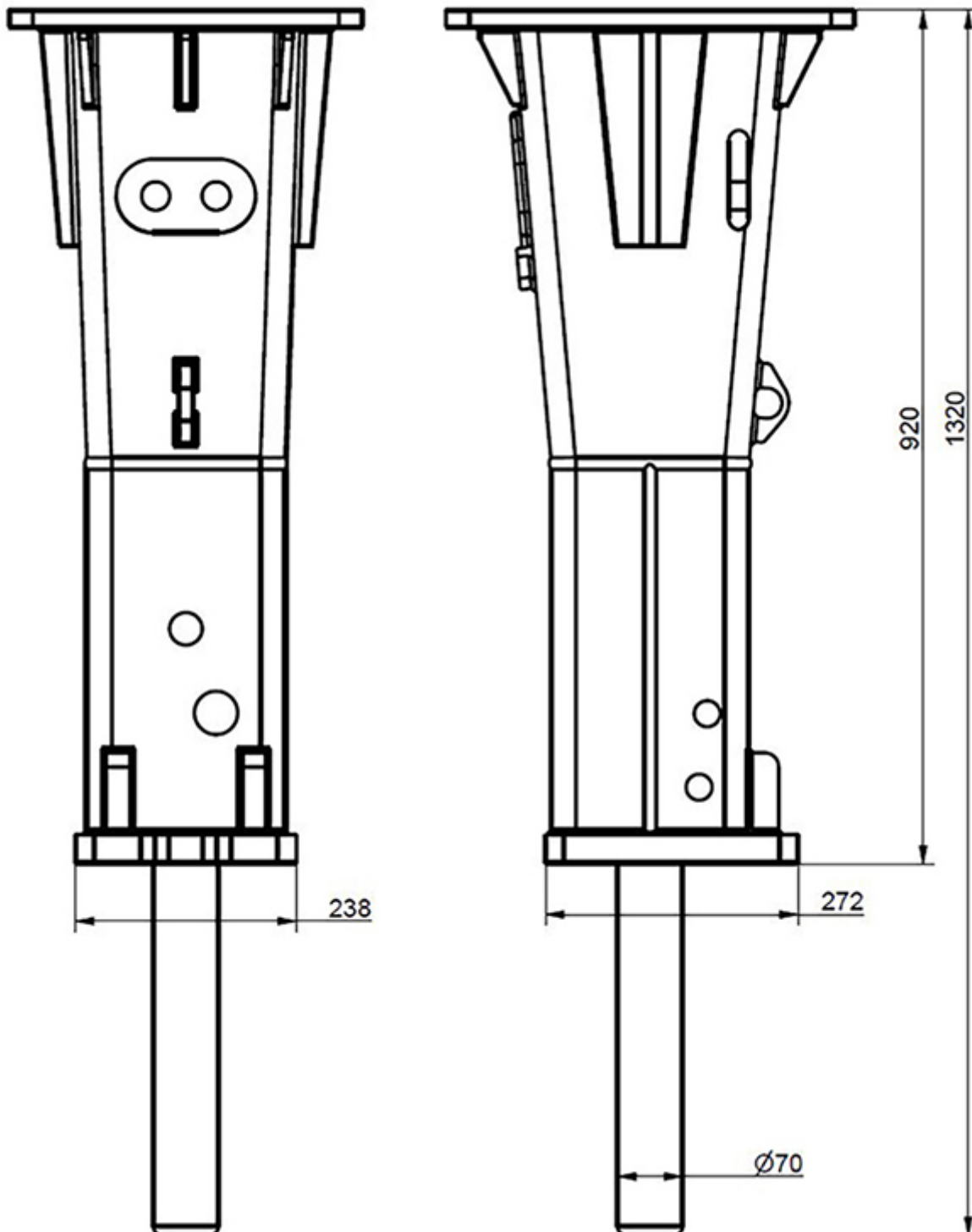
ACCESSORIES

MAIN ACCESSORIES

- Underwater use kit
- Hot application kit

PROCESS PRODUCTIVITY

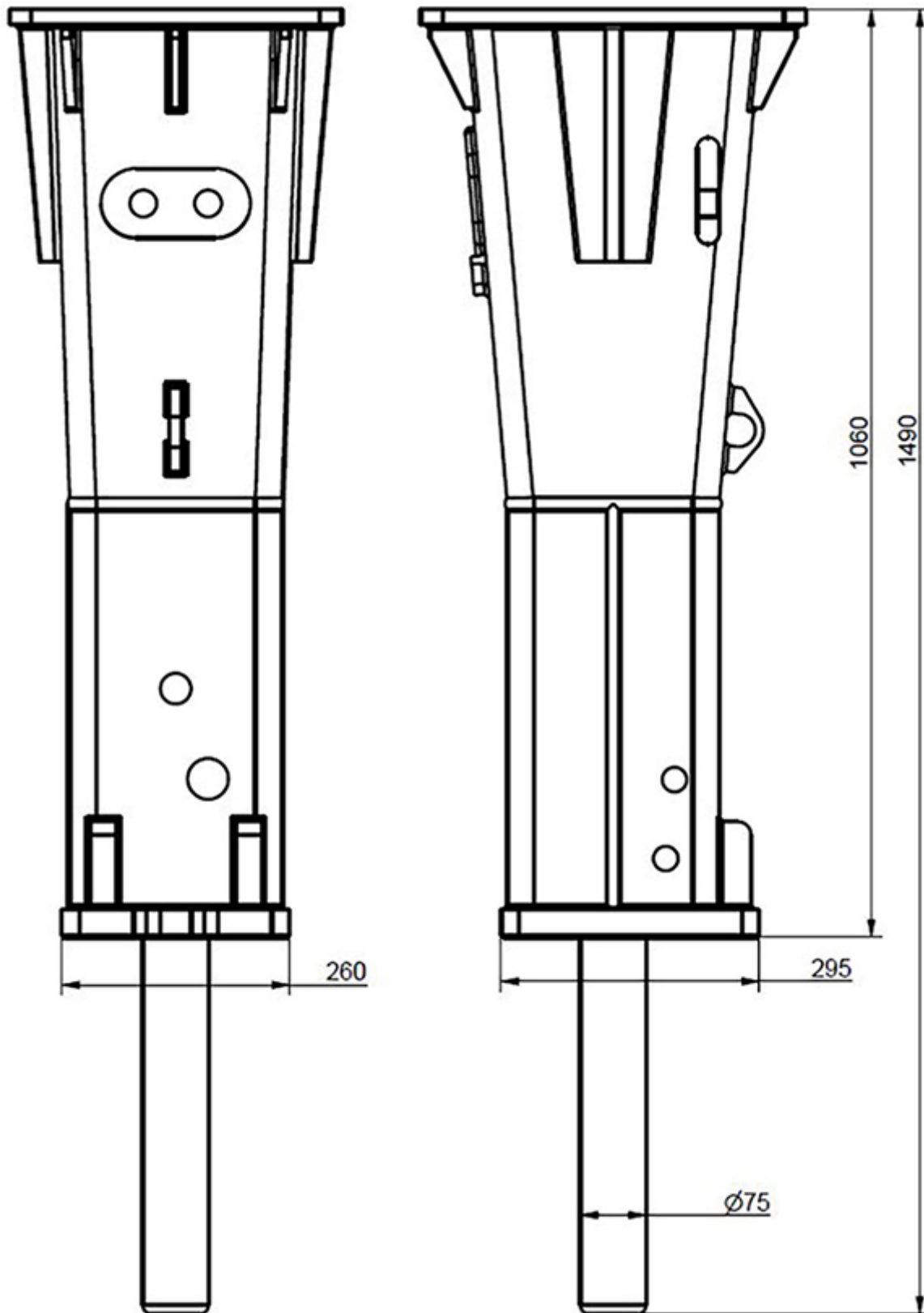
- Tools
 - Blunt
 - Moil point
 - Chisel

DIMENSIONS**SIDE VIEW XB5**

Normet reserves the right to change this specification without further notice

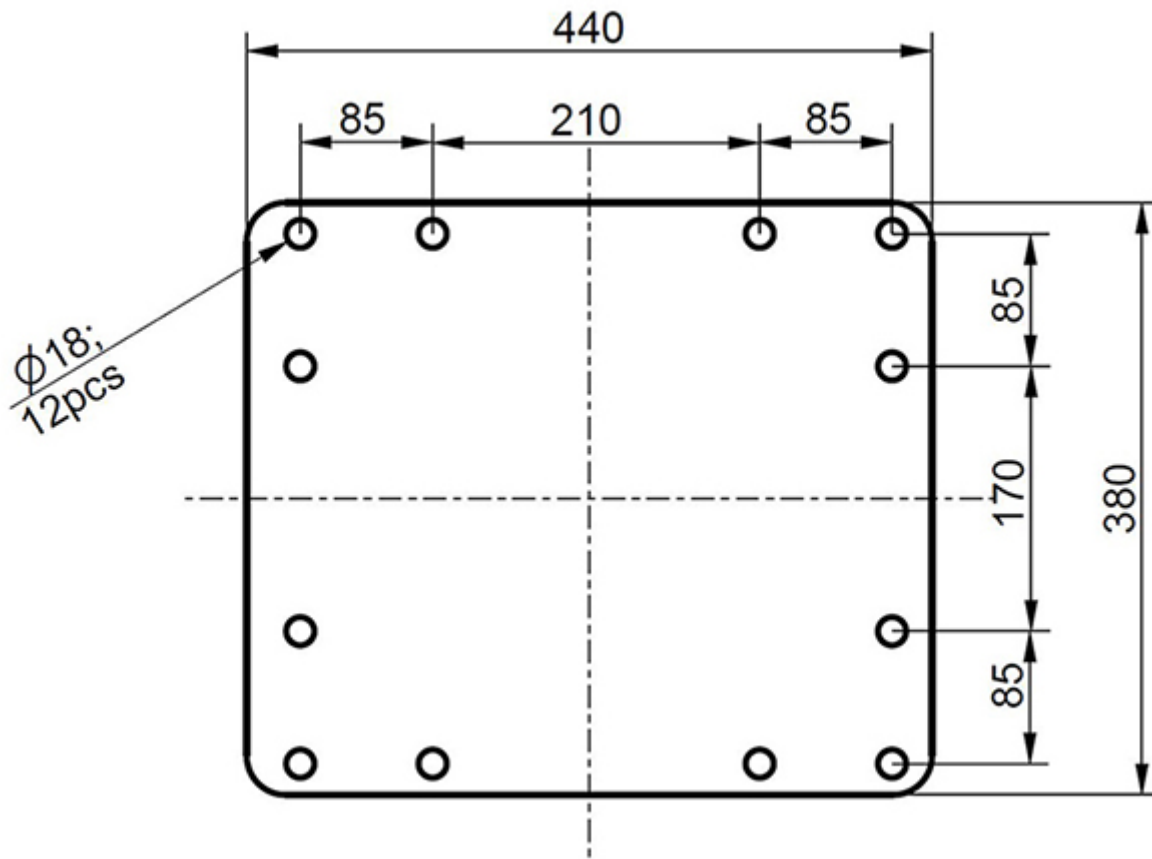
Pictures may include options and additional equipment.

SIDE VIEW XB6

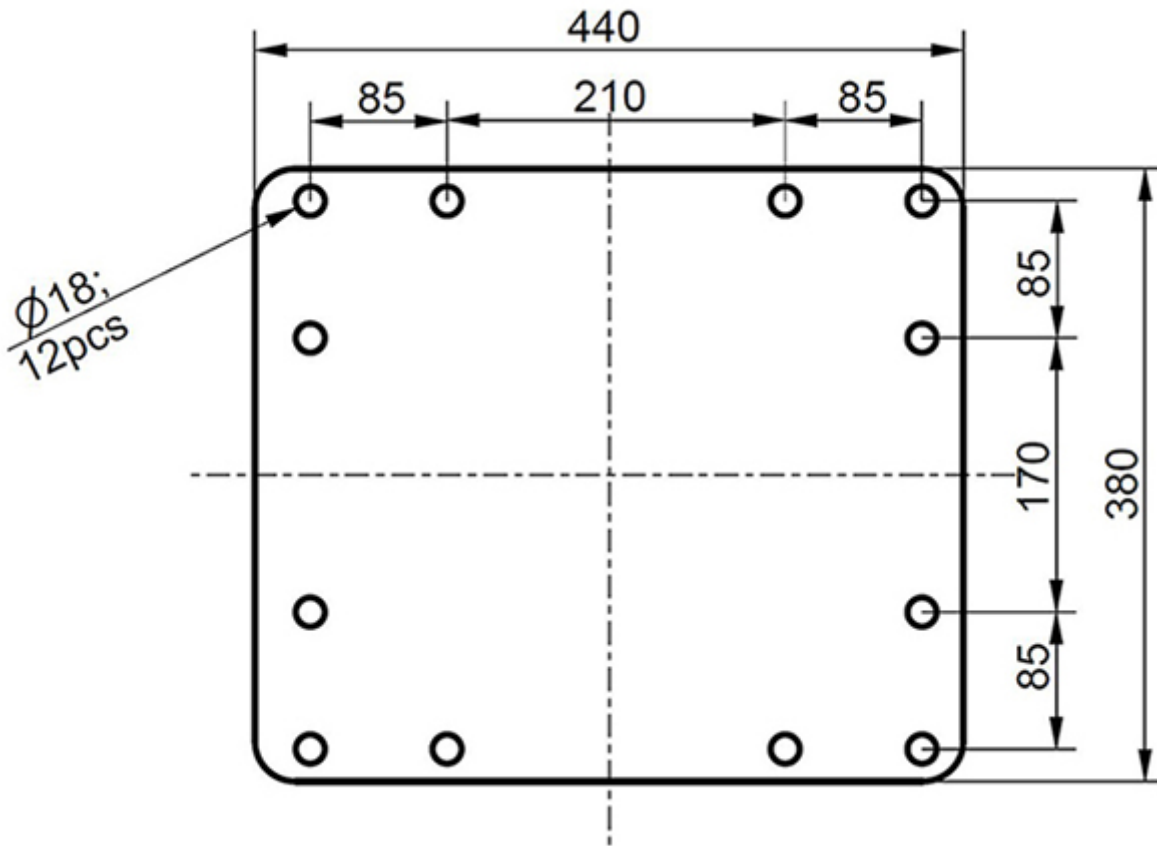


Normet reserves the right to change this specification without further notice

Pictures may include options and additional equipment.

TOP VIEW XB5

TOP VIEW XB6



OPERATING WEIGHT

XB5 weight	330 kg
Excavator weight	4000-7000 kg
XB6 weight	450 kg
Excavator weight	6000-9000 kg

final machine weight variate in agree with selected options

SERVICES

NORMET SERVICES

Normet is committed to servicing its customers all over the world. We provide service from a single machine to an entire fleet. The Normet service offering consists of many different products from delivery of parts and training to fleet performance agreements.

More information check [normet.com](https://www.normet.com):

<https://www.normet.com/en/products-and-services>

For any questions about Normet Services contact local Normet.

<https://www.normet.com/en/contact/>

SPARE PARTS

As a leading global Original Equipment Manufacturer, we are committed to providing a complete solution to your spare parts needs. All of Normet's spare parts are manufactured to the highest possible standards to help maintain the safety and profitability of your projects. Our spare parts improve efficiency and total cost of ownership throughout your operations.

Spare part recommendation / Start-up Spare Part package: Normet Xrock products have service kits available for commissioning, 2-year and 4-year operation and most critical parts.

SERVICE AGREEMENTS

Service agreements are always customized to meet our customer needs, consisting of various Normet service products. The service solution is created together with the customer and the level of an agreement can vary with different support agreements (including e.g. parts, periodical maintenance, on-call services, and audits) up to guaranteed fleet availability or process performance (including e.g. parts, all maintenance activities, operator trainings and process audits).

Note that we can provide Digital solutions with connected equipment.

More information check [normet.com](https://www.normet.com).

TRAININGS

Range from equipment service training to process application training.

We offer a sustainable training path from the beginning of your operation to the execution stage of your project.

More information check [normet.com](https://www.normet.com).

COMMISSIONING

Equipment commissioning concerns **equipment familiarization**. This is included as part of Normet vehicle delivery. Safety introduction and operating basics for Normet Equipment. Review of Normet user and spare parts manuals. Hands-on equipment safety device operational training. Ensure product quality and customer satisfaction during handover.

Commissioning includes machinery handover to customers and safety operating principles without technical insights or process application training.

EXTENDED COMMISSIONING

We offer an extended training package on top of standard commissioning. Normet provides extended commissioning services that offer basic insights into maintenance manuals, periodical and daily maintenance, as well as modern operating perspectives to maximize handling efficiency. Safety-oriented training ensures reliable operations for Battery Electric Vehicles and Diesel-Driven based on your vehicle fleet. This cost-effective solution covers the essential aspects of equipment operation, safety, and maintenance schedules.

To ensure continuous and maximized safe operations with your new equipment and to expand your knowledge scale of operations, this option is the most suitable and recommended option for extending your new equipment training. This cost-effective solution covers the essential aspects of equipment operation, safety, and maintenance schedules.

UPGRADES AND MODIFICATIONS

We build our machines to last. We also understand that your needs on the ground can change - and reacting to that change makes a big difference in your productivity. Normet Upgrades & Modifications provide you with access to product improvements that meet your evolving requirements and let you stay one step ahead of the curve.

Contact your local Normet office for Upgrade offering to your fleet.

More information check [normet.com](https://www.normet.com).

