

TECHNICAL SPECIFICATION

Lifting capacity	1500 kg
Max. Lifting height (platform floor)	2.9 m
Turnable support legs	
Working lights	
Functional stop actuator in platform	
CE label not available	

ADDITIONAL EQUIPMENT

○ Crane 9 kNm:	
Maximum hydraulic outreach	2.7 m
Maximum mechanical outreach	3.8 m
Slewing angle	322°

OPTIONAL EQUIPMENT

- Full wide rear gates

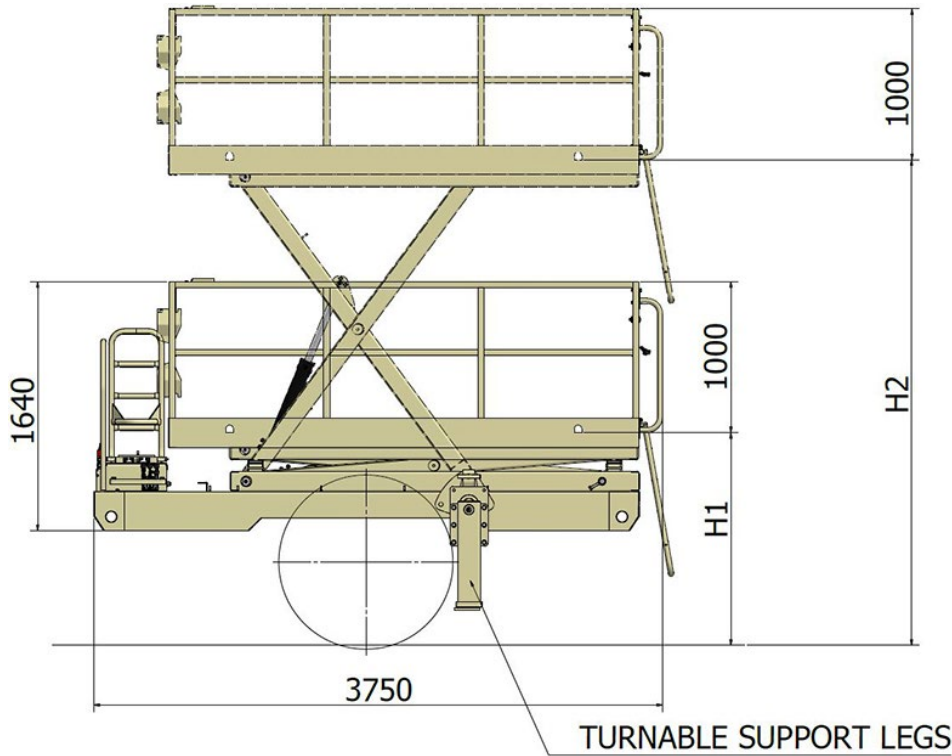
DIMENSIONS

Length	3750 mm
Width	1800 mm
Height	1640 mm
Height with SF 060	2350 mm
H1	1350 mm
H2	2900 mm
Height with MF 100	2450 mm
H1	1450 mm
H2	3000 mm

WEIGHT

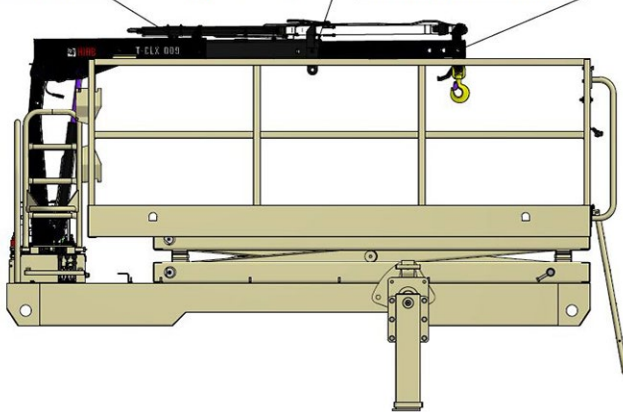
Empty	2300 kg
-------	---------

DIMENSIONAL DRAWINGS

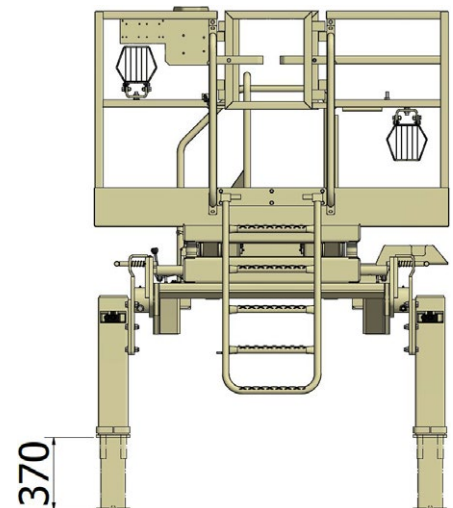
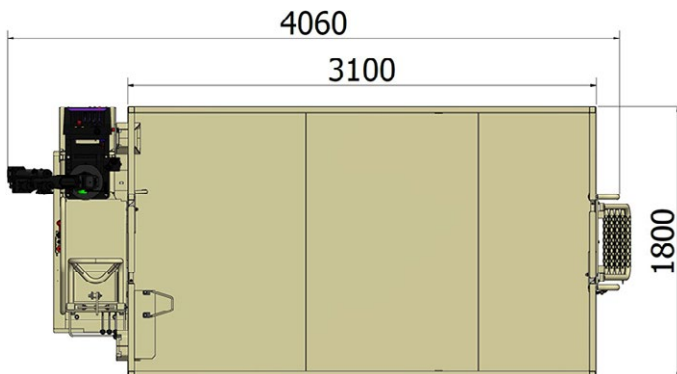
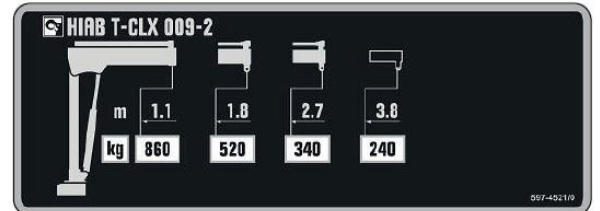


Cassette with options

1.1M / 860KG 1.8M / 520KG 2.7M / 340KG



Capacity plate HIAB T-CLX 009-2



Normet reserves the right to change this specification without further notice.