

TECHNICAL SPECIFICATION

Water tank 1 X 3500 L

Hose reel/pump compartment with a hydraulic pump

Pumping capacity 500 L/min

Water hose

6 kg hand held fire extinguisher

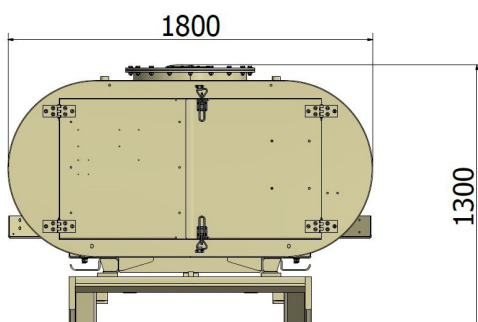
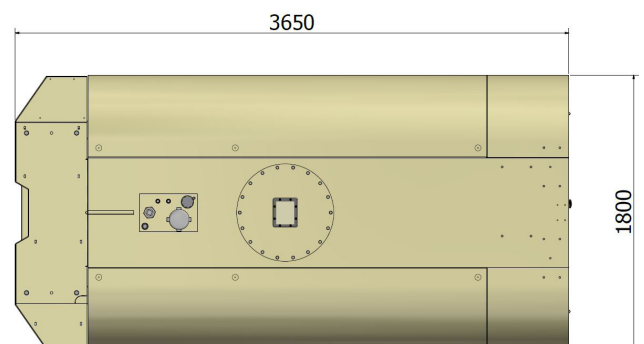
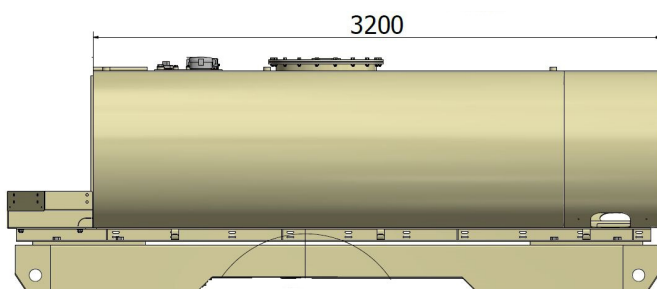
ADDITIONAL EQUIPMENT

Road watering system

DIMENSIONS

Length	3650 mm
Width	1800 mm
Height	1300 mm
Height with SF 060 / MF 100	2000 mm / 2100 mm
Weight (empty)	1400 kg

DIMENSIONAL DRAWINGS



Normet reserves the right to change this specification without further notice.