

Dry-mix concrete spraying machine



Illustrated kit may include options and additional equipment.

Features

The NORMET GM is a dry-mix concrete spraying machine, based on the rotor principle. Its well-proven design makes it extremely robust, easy to setup and simple to operate. Various configurations and a wide choice of specialized nozzle kits make it the machine of choice for small-to-medium applications in:

- Slope protection
- Medium-to-large area repair work
- Swimming pool construction
- House building
- Tunnelling lining
- Emergency and back-up work on TBMs
- Conveyance of all types of dry materials, such as gravel

Main features:

- Very robust and simple design for a long service life
- Easy cleaning due to single-spindle clamping system
- Freely accessible wear parts
- Air distributor with 2 ball valves for conveying air and needle valve for individual control of upper and lower air flow, including magnetic valve in the main air line
- Quick exchange of rotor type and outlet for different outputs/applications
- Rubber pads and friction discs can be refaced for a long service life
- Huge range of nozzle sizes, shapes and materials for all applications and conditions

Disclaimer: Product will be quoted according to information and specification provided.
Images and drawings are indicative only. The final product may not be identical but similar to that illustrated.
Normet reserves the right to change this specification without further notice.

Technical specifications

CONCRETE SPRAYING PUMP/FEED

- > Sturdy hopper and mesh design on silent blocks
- > Special self-levelling, single-spindle clamping system for uniform pressure to all sealing surfaces
- > Fast cleaning device at the upper rubber pad
- > Self-cleaning discharge spout with conical blow-out and rubber inlet
- > Wear-optimized rotor components for a long service life
- > Spraying capacity (max. theoretical) 15.0 m³/h
- > Feeding hopper height 1 390 mm
- > Feeding hopper volume 70 L
- > Conveying distance/height, max 500/100 m
- > Recommended grain size, max 8 mm

CONTROL SYSTEM

- > Easily accessible PLC control system in dust- and splash-proof central control box
- > Simple control elements and 2-wire emergency circuit
- > Motor protection and earth leakage circuit breaker
- > Sockets for vibrator, water booster pump and remote control
- > Hour meter counter

CARRIER

- > Rigid frame with pneumatic tyres, guide fork and tow bar
- > Spur gear reduction drive with protection hood for motor and V-belt pulleys

ELECTRICAL SYSTEM

- > Control system 24V DC
- > Socket with phase change switch CEE 3P/N/E, 32A
- > Protection class IP55

Optional equipment

POWER PACK

- > Electric motor, 2-speed
 - 3 x 400/440V / 50/60Hz
 - 2 stage electric motor 5.0/7.0kW
- > Alternative voltage
 - 3 x 460V / 60Hz
 - 3 x 525V / 50Hz

FEED SYSTEM/ROTORS

- | <u>Rotor type</u> | <u>Practical output capacity</u> |
|---|----------------------------------|
| > 9 round hole rotor <ul style="list-style-type: none"> ◦ normal hardened discs ◦ super hardened discs ◦ rubber lined and super hardened discs | 3.5/4.5 m ³ /h |

- | | |
|---|---------------------------|
| > 9 sector hole rotor <ul style="list-style-type: none"> ◦ normal hardened discs ◦ super hardened discs | 5.0/6.0 m ³ /h |
| > Double rotor <ul style="list-style-type: none"> ◦ 9 round hole rotor, rubber lined and super hardened discs ◦ 9 sector hole rotor, super hardened discs | 5.2/8.0 m ³ /h |

Practical output capacity is based on past experience. Deviations are possible due to different mix design or material characteristics.

MISCELLANEOUS

- > Discharge spout Ø 50/65 mm
- > Hopper mesh sizes 20/25 mm

Additional equipment

SPRAYING/NOZZLE/CONVEYING SYSTEM

- > Conveying/nozzle system Ø50/65 mm
- > Ring gap nozzle system for low dust emission 50 mm

All including conveying hose 20 m, spraying hose 20 m (total hose length 40 m), conical spraying nozzle, couplings and gaskets.

CONTROL SYSTEM

- > Remote control with cable 40 m
- > Extension cable to remote control 40 m

WATER SYSTEM

- > Water booster pump with electric drive
 - max. capacity 17.5 L/min at 12 bar
 - on/off switch
- > High-pressure water hose 2x20m with quick couplings
 - 16/23 mm, 20 bar

ACCESSORIES

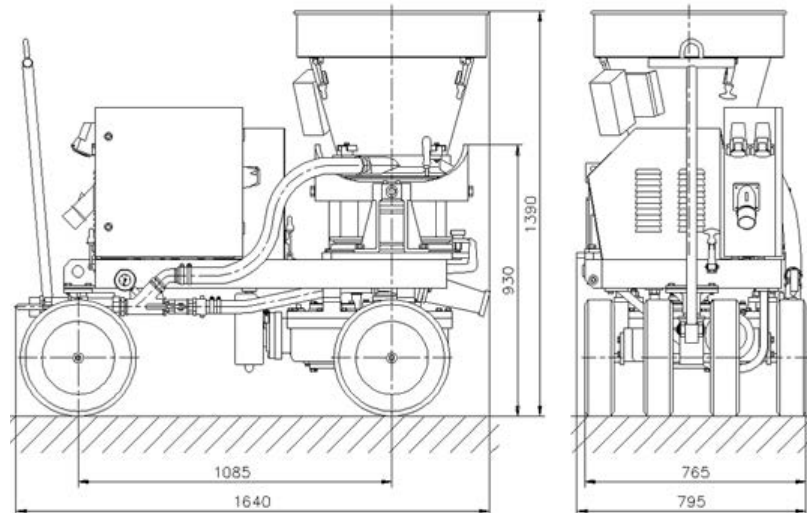
- > Hopper extension weldment with mesh, open 50L
- > Bag ripper for hopper extension
- > Electric vibrator (on hopper)
- > Dust collector with filter bag

ACCELERATOR DOSING SYSTEM

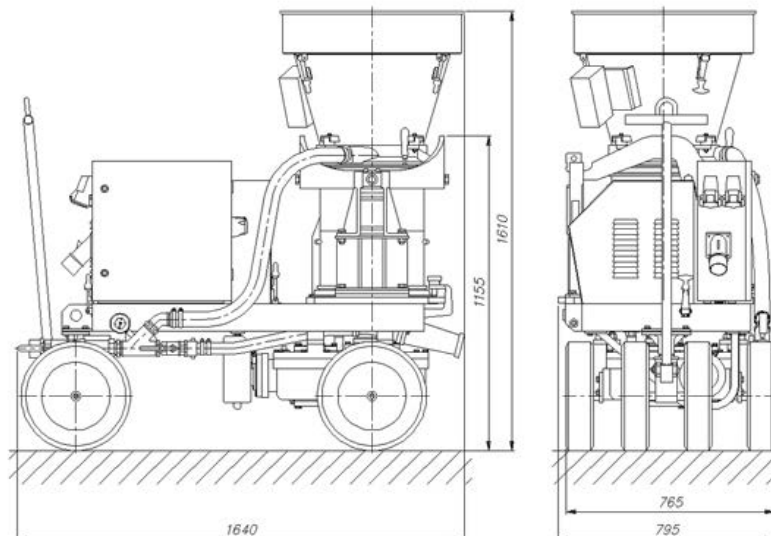
- > Nordosier 4D dosing system for liquid alkali-free accelerator (DOC030146)

Disclaimer: Product will be quoted according to information and specification provided. Images and drawings are indicative only. The final product may not be identical but similar to that illustrated. Normet reserves the right to change this specification without further notice.

Dimensions



SIDE AND FRONT VIEW
 NORMET GM with electric motor and single rotor



SIDE AND FRONT VIEW
 NORMET GM with electric motor and double rotor

DIMENSIONS

➤ Length	1 640 mm
➤ Width	795 mm
➤ Height	
• single rotor	1 390 mm
• double rotor	1 610 mm
➤ Hopper filling height	
• single rotor	1 390 mm
• double rotor	1 610 mm
➤ Weight (machine only)	700-810 kg

Disclaimer: Product will be quoted according to information and specification provided.
 Images and drawings are indicative only. The final product may not be identical but similar to that illustrated.
 Normet reserves the right to change this specification without further notice.

LTC services

SPARE PARTS

Spare parts packages: Available for different working hours. Include periodic service, the most common wear parts and most critical safety parts. Spare parts* packages available on request.

* Recommendations are based on average hours and can vary greatly depending on worksite conditions.

TRAINING SERVICES

Available before delivery, at start-up and after delivery

Product training:

Operation and maintenance

NorSmart

Foundation in electrics, hydraulics and mechanics

Audit

Process training:

Concrete spraying

Charging

Process audit

AUDIT SERVICES

To improve the performance of the machines

To improve the performance of your processes

To help improve the quality of maintenance operations

SERVICE CONTRACTS

Spare parts supply programmes

Scheduled inspection programmes

Supervision programmes

Periodic maintenance programmes

Machine usage programmes

LINK ONE

Link One electronic spare part manuals

WARRANTY SERVICES

Disclaimer: Product will be quoted according to information and specification provided.
Images and drawings are indicative only. The final product may not be identical but similar to that illustrated.
Normet reserves the right to change this specification without further notice.