

Miovision SmartView Approach Hardware Specifications



The Miovision SmartView Approach® is a full HD bullet camera that can expand the use of your Miovision Detection solution to detect vehicles as they approach intersections from up to 200 – 500 feet (61 – 152 meters).

Configure multiple detection zones with single or multilane detection over four lanes and build responsive control schemes and measure free-flow traffic to understand how effectively you are servicing demand.

Device weight (not including cables)

Miovision® SmartView Approach	1.9 lbs (0.862 kg) when using attachment plate 2.87 lbs (1.3 kg) when using base bracket
--------------------------------------	---

Power

Power source and power consumption	PoE (IEEE802 .3af compliant) Device : DC48 V 220 mA, Approx. 10.6 W (Class O device)
---	--

General

Safety	UL (UL62368- 1), c-UL (CSA C22.2 No.62368- 1), CE, IEC62368-1
---------------	---

EMC	FCC (Part15 ClassA), ICES-0 03 ClassA, EN55032 ClassB, EN55035
------------	--

Power Source and Power Consumption	PoE (IEEE802 .3af compliant) Device: DC48 V 220 mA, Approx. 10.6W (Class O device)
---	--

Ambient Operating Temperature	29°F to 165°F (-34°C to 74°C)
--------------------------------------	-------------------------------

Ambient Operating Humidity	5 to 100 % (no condensation)
-----------------------------------	------------------------------

Water and Dust Resistance	Temish element + heater + moisture absorption gel
----------------------------------	---

Shock Resistance	IK10 (IEC 62262)
-------------------------	------------------

Dimensions	5.25 inches (W) x 5.25 inches (H) x 15.09 inches (D) (133 mm (W) x 133 mm (H) x 383 mm (D))
-------------------	--

Mass (approx.)	Approx 5.3 lbs (2.4 kg)
-----------------------	-------------------------

Finish	Main body: Aluminum die cast and resin, white Outer fixing screws: Stainless steel (Corrosion-resistant treatment) Front panel: Polycarbonate resin, clear
---------------	--

Camera

Image Sensor	Approx. 1/2.8 type CMOS image sensor
---------------------	--------------------------------------

Minimum Illumination	Color: 0.011 lx (30IRE, F1.7, 1/30s) Color: 0.015 lx (50IRE, F1.7, 1/30s)
-----------------------------	--

White Balance	ATW1 / ATW2 / AWC
----------------------	-------------------

Shutter Speed	60 fps Mode – 1/60 Fix to 1/10000 Fix 30 fps/15 fps mode – 1/30 Fix to 1/10000 Fix 50 fps Mode – 1/50 Fix to 1/10000 Fix 25 fps/12. 5 fps mode – 1/25 Fix to 1/10000 Fix
----------------------	---

Dynamic Range	Max. 144 dB
----------------------	-------------

Focus Adjustment	Autofocus
-------------------------	-----------

Lens

Optical Zoom	2.3x (Motorized zoom / motorized focus)
---------------------	---

Focal length	0.34 inches – 0.81 inches (9 – 21 mm)
---------------------	---------------------------------------

Angular Field of View	16 : 9 mode – Horizontal: 15° (TELE) – 36° (WIDE), Vertical: 9° (TELE) – 20° (WIDE) 4 : 3 mode – Horizontal: 11° (TELE) – 27° (WIDE), Vertical: 9° (TELE) – 20° (WIDE)
------------------------------	---

Maximum Aperture Ratio	1 : 1.7 (WIDE) – 1 : 3.0 (TELE)
-------------------------------	---------------------------------

Focus Range	78.75 inches (2 m) – ∞
--------------------	------------------------

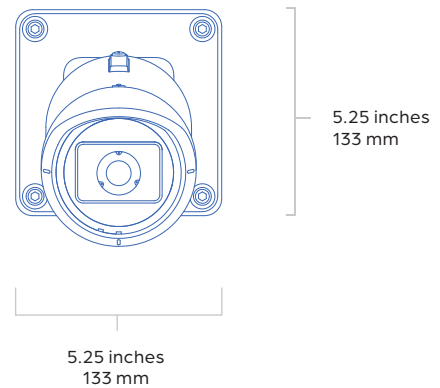
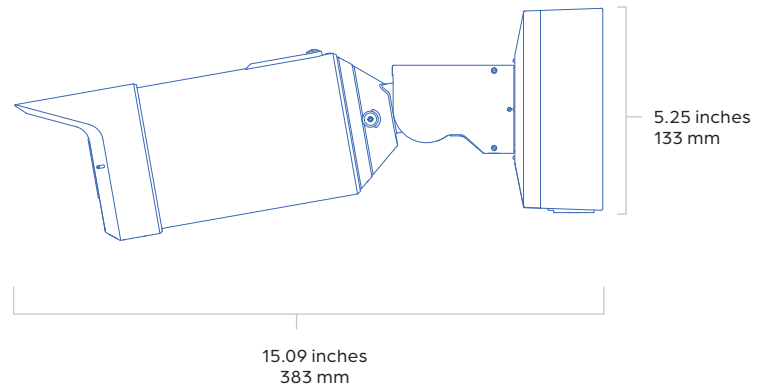
Adjustments

Mounting	Horizontal: ±100° (TILT rotation part)* Vertical: ±100° (TILT rotation part)* Yaw: -190° to +100° (YAW rotation part) <i>* You can change between horizontal and vertical angels by adjusting the PAN rotation part</i>
-----------------	--

Network

Network IF	10Base-T / 100Base-TX, RJ45 connector
Resolution	16 : 9 mode (60 fps model)
H.265 / H. 264 /	16 : 9 mode (30 fps model)
JPEG (MJPEG)	16 : 9 mode (50 fps mode)]
	16 : 9 mode (25 fps model)
	1920x1080, 1280x720, 640x360, 320x180
	4 : 3 mode (30 fps model)
	4 : 3 mode (25 fps model)
	1280x960, VGA, QVGA
	4 : 3 mode (15 fps model)
	4 : 3 mode (12.5 fps model)
	2048x1536"5, 1280x960, VGA, QVGA
Transmission mode	Constant bit rate / VBR / Frame rate / Best effort
Transmission Type	Unicast port (AUTO) / Unicast port (MANUAL) / Multicast
Supported protocol	IPv6: TCP/IP, UDP/IP, HTTP, HTTPS, SSL/TLS, SMTP, DNS, NTP
	IPv4: TCP/IP, UDP/IP, HTTP, HTTPS, SSL/TLS, RTSP, RTP, RTP/RTCP, SMTP, DHCP, DNS, DDNS, NTP, SNMPv1/v2/v3, UPnP, IGMP, ICMP, ARP, IEEE 802.IX, DiffServ, SRTP, SFTP, MQTT, LLDP

Dimensions



For more information, visit help.miovision.com,
email us at support@miovision.com,
or call us NA Toll-free at 1-855-360-7752