

# Miovision SmartView Approach Hardware Specifications



The Miovision SmartView Approach<sup>®</sup> is a full HD bullet camera that can expand the use of your Miovision Detection solution to detect vehicles as they approach intersections from up to 500 feet.

Configure multiple detection zones with single or multilane detection over four lanes and build responsive control schemes and measure free-flow traffic to understand how effectively you are servicing demand.

## General

<b>Safety</b>	UL (UL62368-1), c-UL (CSA C22.2 No.62368-1), CE, IEC62368-1
---------------	---

## Device weight (not including cables)

<b>Miovision<sup>®</sup> SmartView Approach</b>	1.9 lbs (860 g) when using attachment plate 2.87 lbs (1.3 kg) when using base bracket
---	--

## Power

<b>Power source and power consumption</b>	PoE (IEEE802 .3af compliant) Device : DC48 V 220 mA, Approx. 10.6 W (Class O device)
---	--

## General

<b>Safety</b>	UL (UL62368-1), c-UL (CSA C22.2 No.62368-1), CE, IEC62368-1
---------------	---

<b>EMC</b>	FCC (Part15 ClassA), ICES-0 03 ClassA, EN55032 ClassB, EN55035
------------	--

<b>Power Source and Power Consumption</b>	PoE (IEEE802 .3af compliant) Device: DC48 V 220 mA, Approx. 10.6W (Class O device)
---	--

<b>Ambient Operating Temperature</b>	-34°C to +74°C
--------------------------------------	----------------

<b>Ambient Operating Humidity</b>	5 to 100 % (no condensation)
-----------------------------------	------------------------------

<b>Water and Dust Resistance</b>	Temish element + heater + moisture absorption gel
----------------------------------	---

<b>Shock Resistance</b>	IK10 (IEC 62262)
-------------------------	------------------

<b>Dimensions</b>	0133 mm(W) x 133 mm(H) x 383 mm(D) {05- 1{4 inches (W) x 5-1{4 inches (H) x 15-3{32 inches (D)}
-------------------	--

<b>Mass (approx.)</b>	Approx. 2.4kg (5.3lbs)
-----------------------	------------------------

Main body: Aluminum die cast and resin, white

<b>Finish</b>	Outer fixing screws: Stainless steel (Corrosion-resistant treatment)
---------------	--

Front panel: Polycarbonate resin, clear

## Camera

<b>Image Sensor</b>	Approx. 1/2.8 type CMOS image sensor
---------------------	--------------------------------------

<b>Minimum Illumination</b>	Color: 0.011 lx (30I RE, F1.7, 1{30s) Color: 0.015 lx (50I RE, F1.7, 1{30s)
-----------------------------	--

<b>White Balance</b>	ATW1 / ATW2 / AWC
----------------------	-------------------

<b>Shutter Speed</b>	60 fps Mode - 1/60 Fix to 1/10000 Fix 30 fps/15 fps mode - 1/30 Fix to 1/10000 Fix 50 fps Mode - 1/50 Fix to 1/10000 Fix 25 fps/12.5 fps mode - 1/25 Fix to 1/10000 Fix
----------------------	--

<b>Dynamic Range</b>	Max. 144 dB
----------------------	-------------

<b>Focus Adjustment</b>	Autofocus
-------------------------	-----------

## Lens

<b>Optical Zoom</b>	2.3x (Motorized zoom / motorized focus)
---------------------	---

<b>Focal length</b>	9 - 21 mm (11/32 inches - 13/16 inches)
---------------------	---

<b>Angular Field of View</b>	16 : 9 mode - Horizontal: 15° (TELE) - 36° (WIDE), Vertical: 9° (TELE) - 20° (WIDE)
------------------------------	--

	4 : 3 mode - Horizontal: 11° (TELE) - 27° (WIDE), Vertical: 9° (TELE) - 20° (WIDE)
--	---

<b>Maximum Aperture Ratio</b>	1 : 1.7 (WIDE) - 1 : 3.0 (TELE)
-------------------------------	---------------------------------

<b>Focus Range</b>	2m (78 - 3/4 inches) - ∞
--------------------	--------------------------

## Adjustments

<b>Mounting</b>	Horizontal: ±100° (TILT rotation part)*
-----------------	---

Vertical: ±100° (TILT rotation part)\*

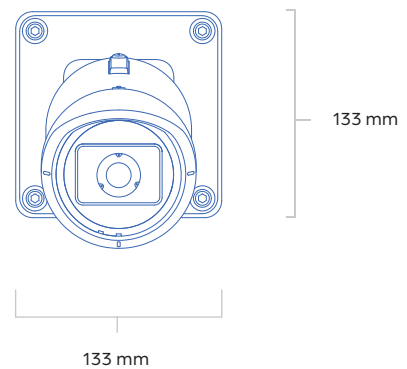
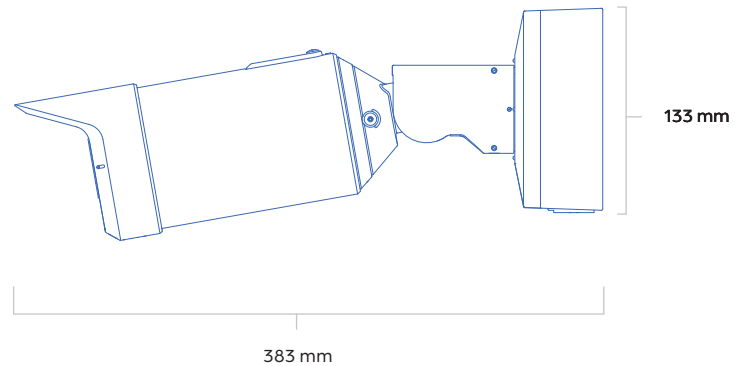
Yaw: -190° to +100° (YAW rotation part)

\* You can change between horizontal and vertical angels by adjusting the PAN rotation part

## Network

<b>Network IF</b>	10Base-T / 100Base-TX, RJ45 connector
<b>Resolution</b>	16 : 9 mode (60 fps model)
<b>H.265 / H. 264 /</b>	16 : 9 mode (30 fps model)
<b>JPEG (MJPEG)</b>	16 : 9 mode (50 fps model)]
	16 : 9 mode (25 fps model)
	1920x1080, 1280x720, 640x360, 320x180
	4 : 3 mode (30 fps model)
	4 : 3 mode (25 fps model)
	1280x960, VGA, QVGA
	4 : 3 mode (15 fps model)
	4 : 3 mode (12.5 fps model)
	2048x1536"5, 1280x960, VGA, QVGA
<b>Transmission mode</b>	Constant bit rate / VBR / Frame rate / Best effort
<b>Transmission Type</b>	Unicast port (AUTO) / Unicast port (MANUAL) / Multicast
<b>Supported protocol</b>	IPv6: TCP/IP, UDP/IP, HTTP, HTTPS, SSL/TLS, SMTP, DNS, NTP
	IPv4: TCP/IP, UDP/IP, HTTP, HTTPS, SSL/TLS, RTSP, RTP, RTP/RTCP, SMTP, DHCP, DNS, DDNS, NTP, SNMPv1/v2/v3, UPnP, IGMP, ICMP, ARP, IEEE 802.IX, DiffServ, SRTP, SFTP, MQTT, LLDP

## Dimensions



For more information, visit [help.miovision.com](https://help.miovision.com),  
email us at [support@miovision.com](mailto:support@miovision.com),  
or call us NA Toll-free at 1-855-360-7752