

## Bulletin 001/2012

**Subject:** Caterpillar D10T and D11T Track Type Tractors fuel system hoses.

**Affected Product:** Caterpillar D10T Serial number prefix: RJG.  
Caterpillar D11T and D11T Carry Dozer with Serial number prefix: AMA, GEB, JEL, JNS, MDG, TPB.

**Risks identified:** Fuel leak and potential fire from chafed flexible hoses.  
This bulletin supersedes all previous bulletins on this subject:  
SHEQ51, 31/08/11 SQM51, 9/08/11 Bulletin 16, 27/08/08

---

### Problem Overview:

The flexible fuel lines fitted in the engine compartment of the affected product are subject to movement and chafing of the hose outer cover on nearby parts if improperly routed or assembled. A fire may occur as a result of improper routing or assembly.

The rubber grommets that are part of the hose clamps are subject to deterioration, due to extended exposure to engine compartment temperatures. Hardening or loss of the grommet can cause hose chafing and early hose failure. Hose failure will result in a fuel leak that may cause a fire.

### Product Configuration Improvements:

Hose clamp grommet material update: The material specification has been changed by Caterpillar to increase the temperature capability of the grommets. The updated grommets are to be fitted in preference to the current parts. Caterpillar part number 353-7952 replaces 6V-1249 and 353-7954 replaces 7V-6571.

Additional clamp for D11T/ D11T Carry Dozers: An additional support bracket and hose clamp is required in D11T models on the 256-3683 lines group to prevent the fuel line rubbing on the muffler bracket at the right rear cylinder head location.

### What to Do:

Daily: Before starting the machine, inspect the engine compartment for fluid leaks or signs of fluid loss in accordance with the Caterpillar Operation and Maintenance Manual task 'Daily Inspection'. Both sides of the engine need to be accessed to perform this inspection.

Every 500 service hours: Inspect and replace hoses and hose clamps in accordance with this bulletin and the latest Caterpillar Operation and Maintenance Manual task: "Hoses and Clamps- Inspect/Replace". Install updated grommets if not installed previously.

Continued on next page

Continued from previous page:

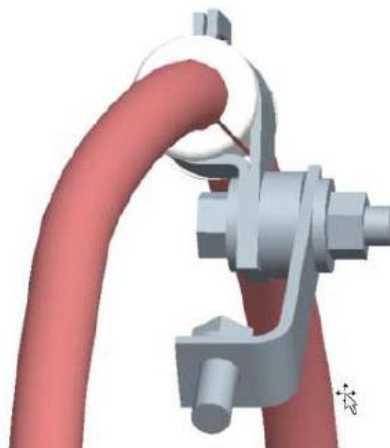
Every 6000 service hours: Replace fuel lines and rubber grommets in accordance with the appropriate Caterpillar Operation and Maintenance Manual task: "Fuel Lines- Inspect/Replace". Replacement hoses must be purchased from a Caterpillar Dealer as complete assemblies of the correct part number. Do not use fabricated fuel hoses. Replace hose shielding if fitted.

### **Inspection Procedure:**

Perform the following inspection with the engine stopped and secured from starting in accordance with site operational procedures. Allow the engine to cool to allow safe handling and inspection of hoses and clamps. Remove guards, covers and components as necessary to allow thorough inspection as per procedure below.

Inspect all hoses in the engine compartment to ensure they are correctly routed and restrained by hose clamps:

- Look for signs of fluid leaks, hose chafing, contact marks, and rubbing which may indicate excessive hose movement.
- All P-clips must have the rubber grommets fitted and secure to prevent grommet loss. Replace any defective or missing parts including hardened or broken grommets with updated parts.
- Ensure the hose does not contact anything other than the rubber grommet in the P-clips. Ensure hose is not chafed underneath a grommet.
- The opening in each grommet is aligned with the joint in the P-clip as shown in Figure 1 below.



**Figure1. The grommet opening is correctly aligned with the joint in the P-clip**



Figure 1 example of poorly routed fuel line.

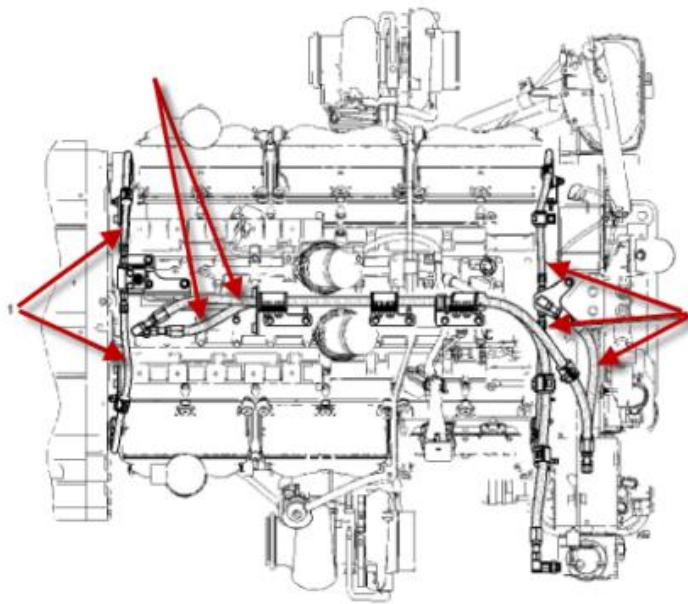


Figure 2 Fuel line identification

**Do not operate the machine until any defects identified in this inspection task are corrected.**

### Contact Details:

If further information is required in regard to this bulletin, contact your nearest Hastings Deering branch on 131 228 and ask to speak to a service advisor.

*This bulletin is to inform you of the recommendations of the supplier in respect of issues dealt with in the bulletin and should not be used as specific advice in respect of any particular events. Advice from a qualified repairer should be sought in respect of any particular events and Hastings Deering (Australia) Ltd accepts no responsibility for any loss or damage occasioned by a party using this general bulletin.*