

Marshall

STANMORE IV – HOME SPEAKER

SPARE PART INSTRUCTIONS

CONTENTS

INDEX

Replacing the top panel knobs	003
Replacing the feet	004
Replacing the front fret	005

INSTRUCTIONS

ENGLISH

REPLACING THE TOP PANEL KNOBS

Before starting the procedure, make sure that you are working in a well-lit, clean and clutter-free area. Unplug any leads before starting the procedure.

REMOVING A TOP PANEL KNOB

- I. Pull the knob straight out, away from the speaker.

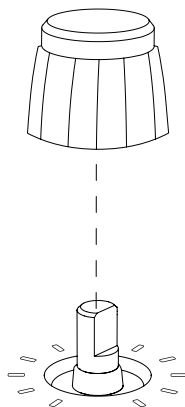
Note: Do not pry or use sharp tools when removing the knob as this might damage the speaker.

ATTACHING THE NEW KNOB

Orient the new knob so that the flat side of the D-shaft matches the notch in the knob.

- I. Place the new knob in position and push it in until it sits securely.

Make sure to recycle old knob in a correct manner.



INSTRUCTIONS

ENGLISH

REPLACING THE FEET

Before starting the procedure, make sure you are working in a well-lit, clean, and clutter-free area. You will need a Torx screwdriver, size 15 (TX15) to remove the feet. Place the speaker on a soft lint-free towel while working to protect it and your working surface. Unplug any leads before starting the procedure.

The feet are identical, and the instruction below applies to all four.

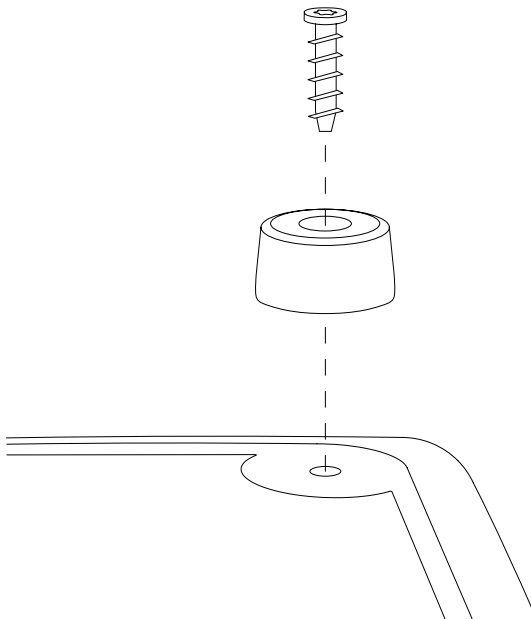
REMOVING THE OLD FOOT

- I. Turn the speaker upside down and place it on a soft, lint-free towel.
- II. Use a TX15 screwdriver to remove the screw holding the foot in place.
- III. Remove the old foot.

ATTACHING THE NEW FOOT

- I. Position the foot on the subwoofer.
- II. Use a TX15 screwdriver to tighten the screw, securing the foot to the speaker.

Make sure to recycle the old feet in a correct manner.



INSTRUCTIONS

ENGLISH

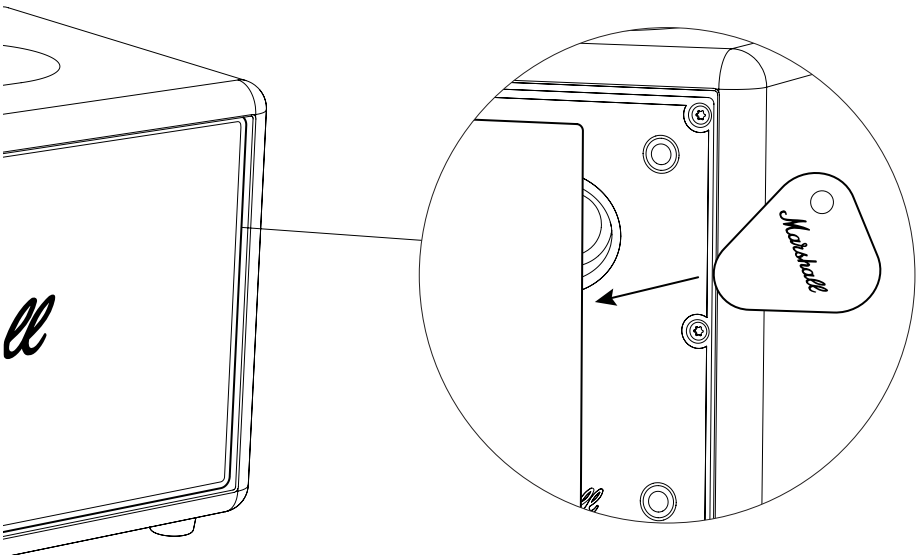
REPLACING THE FRONT FRET

Before starting the procedure, make sure you are working in a well-lit, clean, and clutter-free area. All cables should be disconnected and the speaker powered off. Place the speaker on a soft lint-free towel while working to protect it and your working surface. No additional tools are needed to replace the fret. Unplug any leads before starting the procedure.

Note: Removing the fret will expose the speaker driver membranes. Do not touch the driver membrane as this may damage the driver.

REMOVING THE OLD FRET

- I. Unpack the new fret and use the included plectrum to gently pry open the fret, starting from the lower left side.
- II. Work your way around the fret until it comes loose.
- III. Remove the fret.
- IV. Remove any rubber gasket that are still stuck to the old fret and reattach them in their correct position on the speaker.



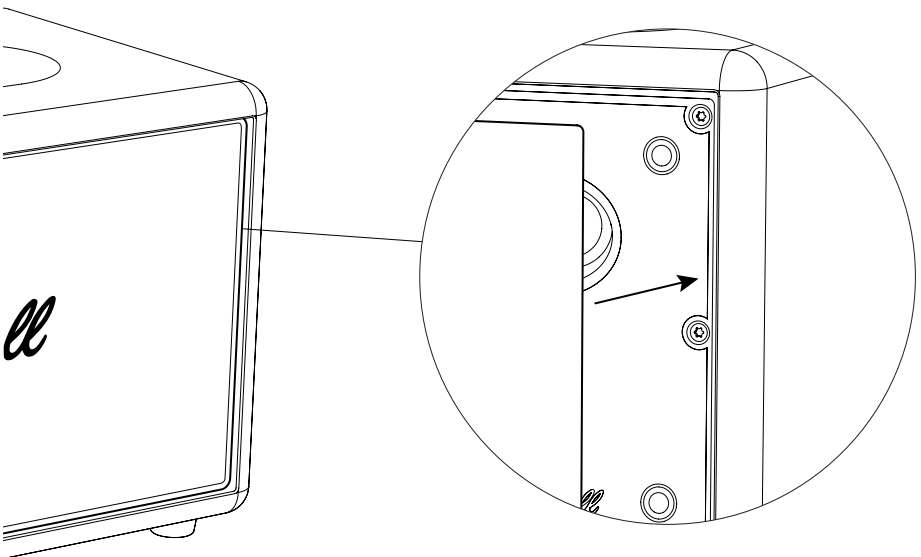
INSTRUCTIONS

ENGLISH

ATTACHING THE NEW FRET

- I. Position the new fret on the speaker, aligning the pins on the fret with the holes on the speaker.
- II. Gently push the fret down.
- III. Push across the fret to secure it in place.

Make sure to recycle the old fret in a correct manner.



All intellectual property in the product and packaging (including the MARSHALL trade mark, copyright, designs, and patents) are owned by Marshall Group AB and may not be used without permission. All rights reserved. Marshall Group AB, Centralplan 15, 111 20 Stockholm, Sweden. R 1.0