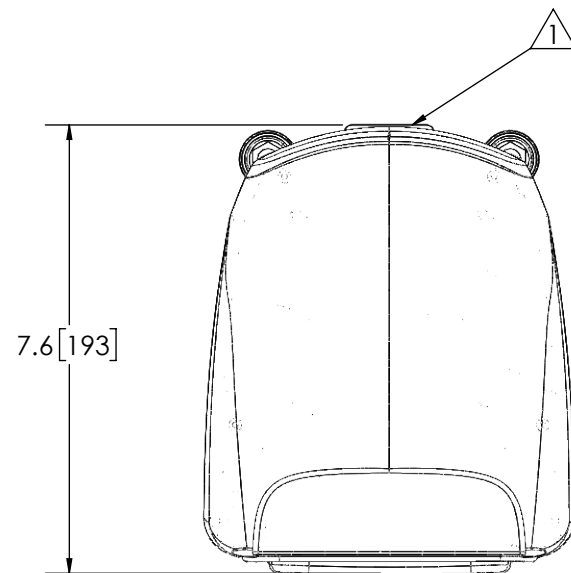
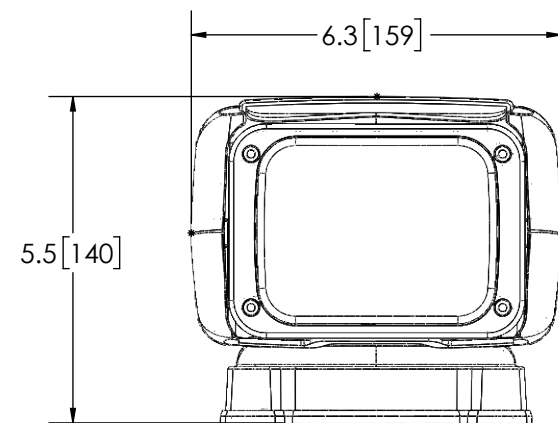


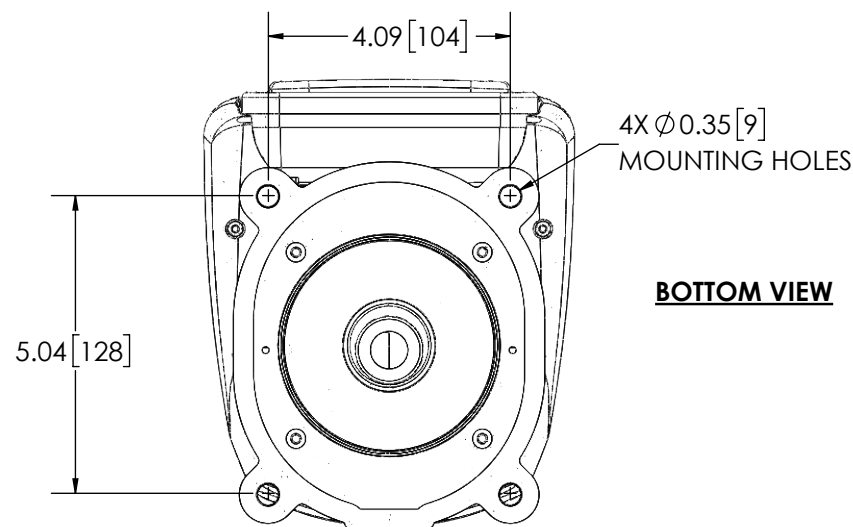
REVISION HISTORY		
REV.	DESCRIPTION	DATE
03	REVISED PER EL0057	2017-08-24
A	INITIAL RELEASE PER EL0057	2017-08-29
B	REVISE PER EL0057	2017-10-12



TOP VIEW



FRONT VIEW



BOTTOM VIEW

SPECIFICATIONS

- CERTIFICATIONS:
Note: Unique components, accessories, and hardware kits are not typically included in the Product Certification Test Protocols. Unless otherwise Specified, the Product Certifications referred to herein are predicated upon the base product model configuration.
- RAW LUMENS: 1645 lumens
- EFFECTIVE LUMENS: 1507 lumens
- ILLUMINANCE: 92.3 lux
- PEAK BEAM INTENSITY: 86035 Candela
- EFFICACY: 64.2 lm/W
- CORRELATED COLOR TEMPERATURE: 5541K
- VOLTAGE (NOMINAL): 12-24 VDC
- VOLTAGE (EXTREME): 9-32 VDC
- CURRENT (PEAK): 1.7A (@ 12 VDC NOMINAL)
- POWER (MAXIMUM): 23.2W (@ 12 VDC NOMINAL)
- TEMPERATURE RANGE: -22°F (-30°C) TO 122°F (50°C)
- CONNECTION:
- MOUNTING: 4 BOLT
- HOUSING MATERIAL: ALUMINUM
- LENS MATERIAL: POLYCARBONATE
- PRODUCT WEIGHT: 3.48 LBS (1.57 Kg)

MOUNTING DISCLAIMER
MOUNTING MEASUREMENT IS FOR REFERENCE ONLY.
MEASURE BEFORE DRILLING.


COLOR CHART	
FGS P/N	HOUSING COLOR
EW3000	BLACK
EW3001	WHITE

DISCLAIMER
DIMENSIONS, ILLUSTRATIONS, SPECIFICATIONS AND CERTIFICATIONS CONTAINED IN THIS DOCUMENT ARE TYPICAL OF THE ACTUAL PRODUCT AND ARE SUBJECT TO CHANGE.
ECCO ENGINEERING DOES NOT MAINTAIN FORMAL DESIGN CONTROL OF THIS PRODUCT.

NOTES:

- WIRES NOT SHOWN FOR CLARITY
2-18 AWG WIRES W/ BULLET TERMINALS
RED - POSITIVE (+), BLACK - NEGATIVE (-)
WIRE DIMENSION IS 8.00±0.50[203±13] FROM WIRE EXIT TO BACK OF TERMINALS
- DIMENSIONS IN INCHES[MILLIMETERS (FOR REFERENCE)]

NON DISCLOSURE AGREEMENT
THIS DRAWING AND THE DESIGN IT DISCLOSES ARE THE PRIVATE PROPERTY OF ELECTRONIC CONTROLS CO. AND IS ISSUED IN CONFIDENCE FOR ENGINEERING INFORMATION ONLY. THE DRAWING AND / OR DESIGN MAY NOT BE USED, COPIED, REPRODUCED, OR OTHERWISE DISCLOSED IN PART OR AS A WHOLE TO OUTSIDERS OR USED FOR ANY OTHER PURPOSE WITHOUT THE PRIOR WRITTEN CONSENT OF ELECTRONIC CONTROLS CO. THE DRAWING IS SUBJECT TO RECALL AT ANY TIME. YOUR POSSESSION OF THIS DOCUMENT CONSTITUTES ACCEPTANCE OF THESE TERMS. © 2017 ELECTRONIC CONTROLS CO.

SCALE 1:3.25	APPROVALS	DATE	 ECCO www.eccolink.com Americas (800) 635-5900 Europe +44 (0)113 237 5340 Asia Pacific +61 (0)3 63322444								
CAD GENERATED DRAWING DO NOT MANUALLY UPDATE. MODEL REFERENCED: A	DRAWN BY	2017-09-28									
TOLERANCES ARE IN INCHES, AND MILLIMETERS TOLERANCES UNLESS OTHERWISE STATED ARE:	CHECKED ABB	2017-10-03	WIRELESS SPTLIGHT, 6LED PERM, 12-24V CUSTOMER PART NO. _____ PRODUCT SERIES: _____ SEE CHART								
<table border="1"> <tr> <th>MILLIMETERS DECIMALS</th> <th>INCHES DECIMALS</th> <th>ANGLES</th> </tr> <tr> <td>XX ± 1.0mm</td> <td>X.X ± 0.1</td> <td>± 0.5°</td> </tr> <tr> <td>XX.X ± 0.5mm</td> <td>X.XX ± 0.04</td> <td>FRACTIONS ± 1/64</td> </tr> </table>	MILLIMETERS DECIMALS	INCHES DECIMALS		ANGLES	XX ± 1.0mm	X.X ± 0.1	± 0.5°	XX.X ± 0.5mm	X.XX ± 0.04	FRACTIONS ± 1/64	MECH. ENG.
MILLIMETERS DECIMALS	INCHES DECIMALS	ANGLES									
XX ± 1.0mm	X.X ± 0.1	± 0.5°									
XX.X ± 0.5mm	X.XX ± 0.04	FRACTIONS ± 1/64									
	ELEC. ENG.		SIZE: B								
	TEST ENG.		DWG. NO. EW300X								
	SALES. JPT	2017-10-12	REV. B								
	Electronically Controlled Use Latest Copy		Project: EL0057								
	SHEET 1 OF 1		Date Created: 2017-06-13								