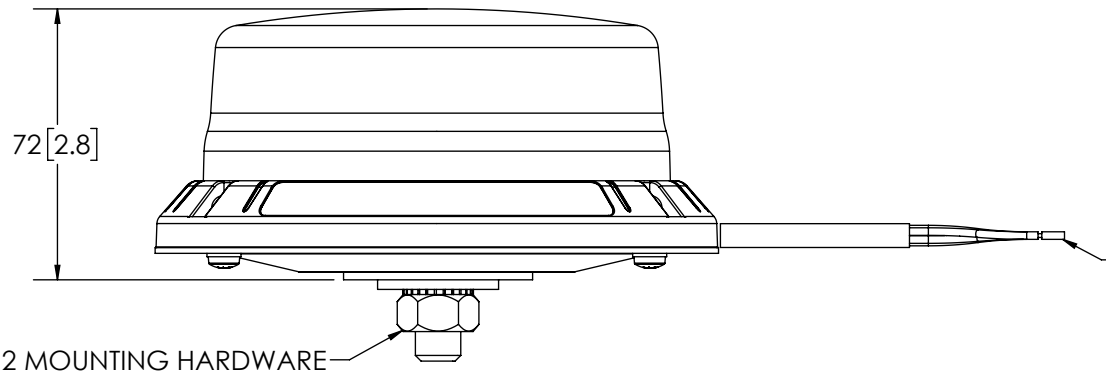
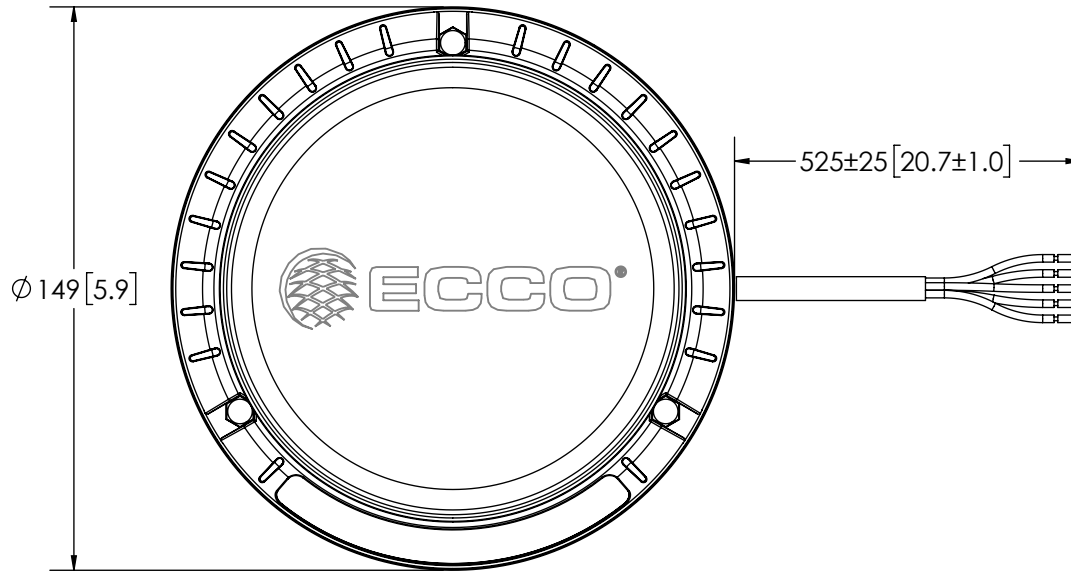


REVISION HISTORY		
REV.	DESCRIPTION	DATE
01	PRELIMINARY RELEASE PER LP0001	2020-11-16
A	INITIAL RELEASE PER LP0001	2020-12-17



5-18 AWG WIRES  
 RED - POSITIVE (+) COLOUR 1  
 WHITE - POSITIVE (+) N/A  
 BLACK -NEGATIVE (-)  
 BLUE - PATTERN SELECT & DIM  
 YELLOW - SYNC

## SPECIFICATIONS

- CERTIFICATIONS: ; ECE R10; Reg 65 (SEE CHART); IP69K  
 Note: Unique components, accessories, and hardware kits are not typically Included in the Product Certification Test Protocols. Unless otherwise Specified, the Product Certifications referred to herein are predicated upon the base product model configuration.
- FLASH MODE: ROTATE : 150 ± 10 FLASHES PER MINUTE  
 SINGLE : 150 ± 10 FLASHES PER MINUTE  
 DOUBLE : 150 ± 10 FLASHES PER MINUTE  
 TRIPLE : 150 ± 10 FLASHES PER MINUTE  
 QUAD : 150 ± 10 FLASHES PER MINUTE  
 AIRPORT : 75 ± 5 FLASHES PER MINUTE
- VOLTAGE (NOMINAL): 12-24 VDC
- VOLTAGE (EXTREME): 10-32 VDC
- CURRENT (PEAK): 5.5A (@ 10.5 VDC NOMINAL)
- POWER (MAXIMUM): 60W (@ 10.5 VDC NOMINAL)
- TEMPERATURE RANGE: -30°C (-22°F) TO 50°C (122°F)
- CONNECTION: 5-18 AWG. WIRES
- MOUNTING: 1 BOLT
- BASE MATERIAL: ALUMINIUM
- LENS MATERIAL: POLYCARBONATE
- PRODUCT WEIGHT: 0.75 Kg (1.65 LBS)

FGS. PRODUCT CHART		
FGS. NO.	COLOUR	ECE R65
EB5101AA	AMBER/AMBER	YES
EB5101CA	CLEAR/AMBER	YES
EB5101CG	CLEAR/GREEN	-

- NOTES:  
 1. ROHS COMPLIANT  
 2. DIMENSIONS IN MILLIMETRES [INCHES (FOR REFERENCE)]

SCALE 1:2		APPROVALS	DATE
CAD GENERATED DRAWING DO NOT MANUALLY UPDATE. MODEL REFERENCED: 01		DRAWN BY: LSH	2020-11-18
TOLERANCES ARE IN INCHES, AND MILLIMETERS TOLERANCES UNLESS OTHERWISE STATED ARE:		CHECKED: PC	2020-12-02
MILLIMETERS DECIMALS XX. ± 1.0mm XX.X ± 0.5mm	INCHES DECIMALS X.X ± 0.1 X.XX ± 0.04 X.XXX ± 0.02	MECH. ENG. KW	2020-11-25
	ANGLES ± 0.5°	ELEC. ENG. MMG	2020-11-17
	FRACTIONS ± 1/64	TEST ENG. AD	2020-12-16
		SALES. GM	2020-12-17
THIRD ANGLE PROJECTION		Electronically Controlled Use Latest Copy	

**ECCO**® [www.eccolink.com](http://www.eccolink.com)

Americas (800) 635-5900 | Europe +44 (0)113 237 5340 | Asia Pacific +61 (0)3 63322444

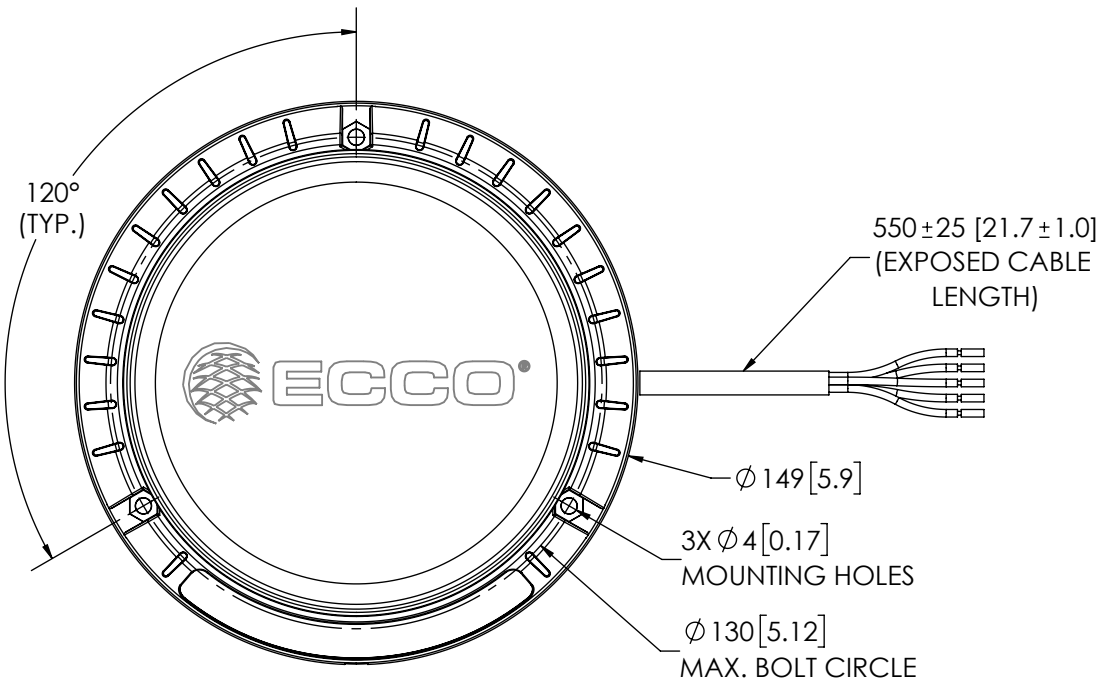
LOW PROFILE, SINGLE BOLT, R65, 12/24V

CUSTOMER PART NO.  
SEE CHART

SIZE: A4	DWG. NO. EB5101XX	REV. A
SHEET 1 OF 1		Project: LP0001
Date Created: 2020-10-27		

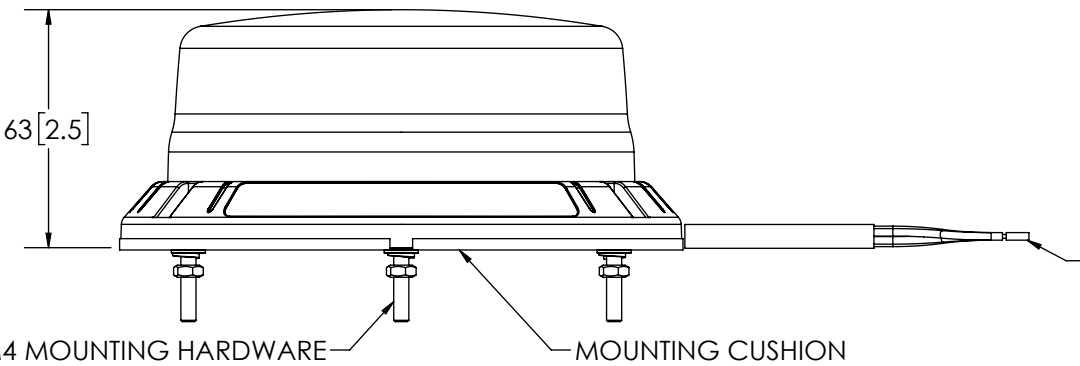
PROPRIETARY AND CONFIDENTIAL INFORMATION  
 THIS DRAWING AND THE DESIGN AND OTHER INFORMATION DISCLOSED HEREIN ARE THE PROPERTY OF ELECTRONIC CONTROLS COMPANY AND/OR ITS ECCO SAFETY GROUP AFFILIATES ("ECCO") AND IS ISSUED IN CONFIDENCE TO RECIPIENT FOR ENGINEERING INFORMATION PURPOSES ONLY. THIS DRAWING AND THE DESIGN AND OTHER INFORMATION DISCLOSED HEREIN MAY NOT BE USED, COPIED, REPRODUCED OR OTHERWISE DISCLOSED IN PART OR IN WHOLE TO THIRD PARTIES OR USED FOR ANY OTHER PURPOSE WITHOUT PRIOR ECCO WRITTEN CONSENT. ECCO RESERVES ALL PATENT, COPYRIGHT, TRADEMARK, AND OTHER PROPRIETARY RIGHTS TO THIS DOCUMENT, INCLUDING ALL DESIGN, MANUFACTURING, REPRODUCTION, USE AND SALES RIGHTS THEREOF. THIS DRAWING IS SUBJECT TO RECALL BY ECCO AT ANY TIME, AND YOUR POSSESSION AND/OR USE CONSTITUTES ACCEPTANCE OF THESE TERMS. ©2020 ELECTRONIC CONTROLS COMPANY

REVISION HISTORY		
REV.	DESCRIPTION	DATE
01	PRELIMINARY RELEASE PER LP0001	2020-10-28
A	INITIAL RELEASE PER LP0001	2020-11-04



## SPECIFICATIONS

- CERTIFICATIONS: ; ECE R10; Reg 65 (SEE CHART); IP69K  
 Note: Unique components, accessories, and hardware kits are not typically included in the Product Certification Test Protocols. Unless otherwise Specified, the Product Certifications referred to herein are predicated upon the base product model configuration.
- FLASH MODE: ROTATE : 150 ± 10 FLASHES PER MINUTE  
 SINGLE : 150 ± 10 FLASHES PER MINUTE  
 DOUBLE : 150 ± 10 FLASHES PER MINUTE  
 TRIPLE : 150 ± 10 FLASHES PER MINUTE  
 QUAD : 150 ± 10 FLASHES PER MINUTE  
 AIRPORT : 75 ± 5 FLASHES PER MINUTE
- VOLTAGE (NOMINAL): 12-24 VDC
- VOLTAGE (EXTREME): 10-32 VDC
- CURRENT (PEAK): 5.5A (@ 10.5 VDC NOMINAL)
- POWER (MAXIMUM): 60W (@ 10.5 VDC NOMINAL)
- TEMPERATURE RANGE: -30°C (-22°F) TO 50°C (122°F)
- CONNECTION: 5-18 AWG. WIRES
- MOUNTING: 3 BOLT
- BASE MATERIAL: ALUMINIUM
- LENS MATERIAL: POLYCARBONATE
- PRODUCT WEIGHT: 0.45 Kg (0.99 LBS)



5-18 AWG WIRES  
 RED - POSITIVE (+) COLOUR 1  
 WHITE - POSITIVE (+) N/A  
 BLACK -NEGATIVE (-)  
 BLUE - PATTERN SELECT & DIM  
 YELLOW - SYNC

FGS. PRODUCT CHART		
FGS. NO.	COLOUR	ECE R65
EB5102AA	AMBER/AMBER	YES
EB5102CA	CLEAR/AMBER	YES
EB5102CG	CLEAR/GREEN	-

NOTES:  
 1. ROHS COMPLIANT  
 2. DIMENSIONS IN MILLIMETRES [INCHES (FOR REFERENCE)]

SCALE 1:2		APPROVALS	DATE
CAD GENERATED DRAWING DO NOT MANUALLY UPDATE. MODEL REFERENCED: B+		DRAWN BY: LSH	2020-11-03
TOLERANCES ARE IN INCHES, AND MILLIMETERS TOLERANCES UNLESS OTHERWISE STATED ARE:		CHECKED: GM	2020-11-04
MILLIMETERS DECIMALS XX ± 1.0mm XX.X ± 0.5mm	INCHES DECIMALS X.X ± 0.1 X.XX ± 0.04 X.XXX ± 0.02	MECH. ENG. SGS	2020-11-04
	ANGLES ± 0.5°	ELEC. ENG. MMG	2020-10-29
	FRACTIONS ± 1/64	TEST ENG. FP	2020-11-03
	THIRD ANGLE PROJECTION	SALES. GM	2020-11-04

Americas (800) 635-5900 | Europe +44 (0)113 237 5340 | Asia Pacific +61 (0)3 63322444

**LOW PROFILE, 3 BOLT, R65, 12/24V**

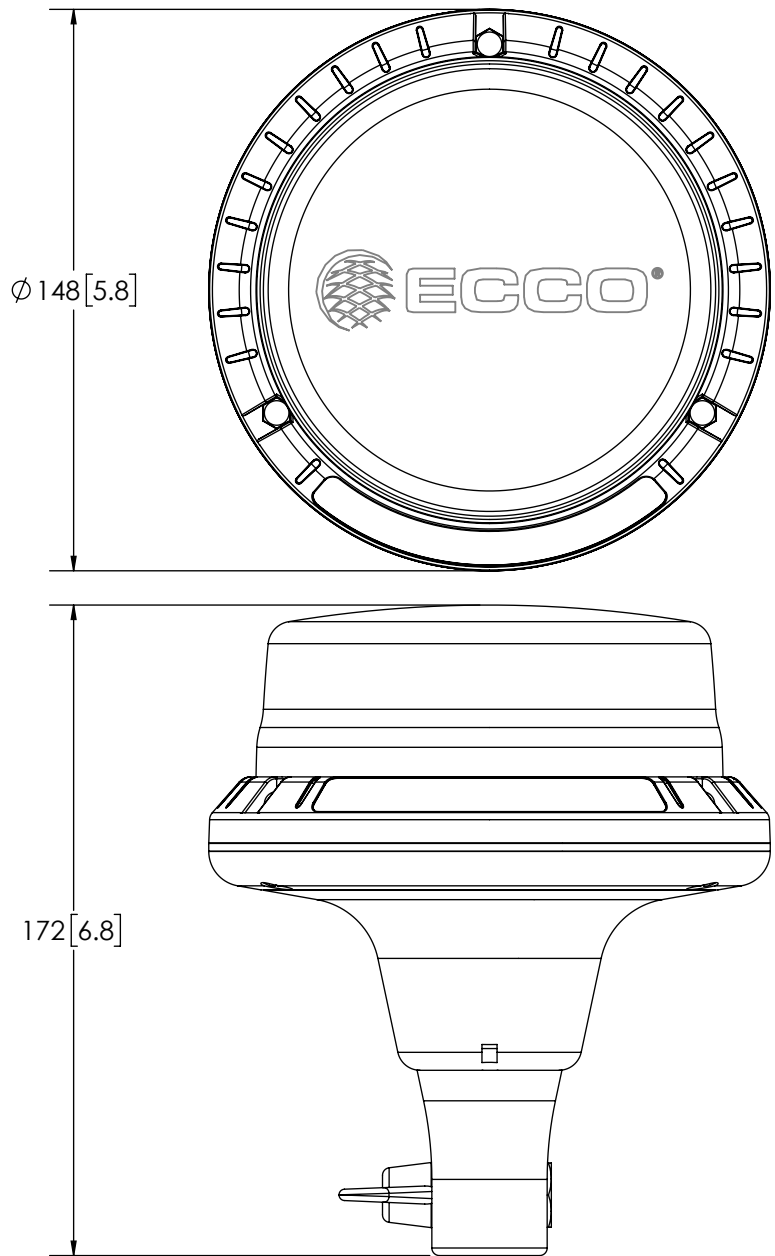
CUSTOMER PART NO.  
**SEE CHART**

SIZE: A4	DWG. NO. EB5102XX	REV. A
----------	-------------------	--------

Electronically Controlled Use Latest Copy SHEET 1 OF 1 Project: LP0001 Date Created: 2020-10-27

PROPRIETARY AND CONFIDENTIAL INFORMATION  
 THIS DRAWING AND THE DESIGN AND OTHER INFORMATION DISCLOSED HEREIN ARE THE PROPERTY OF ELECTRONIC CONTROLS COMPANY AND/OR ITS ECCO SAFETY GROUP AFFILIATES ("ECCO") AND IS ISSUED IN CONFIDENCE TO RECIPIENT FOR ENGINEERING INFORMATION PURPOSES ONLY. THIS DRAWING AND THE DESIGN AND OTHER INFORMATION DISCLOSED HEREIN MAY NOT BE USED, COPIED, REPRODUCED OR OTHERWISE DISCLOSED IN PART OR IN WHOLE TO THIRD PARTIES OR USED FOR ANY OTHER PURPOSE WITHOUT PRIOR ECCO WRITTEN CONSENT. ECCO RESERVES ALL PATENT, COPYRIGHT, TRADEMARK AND OTHER PROPRIETARY RIGHTS TO THIS DOCUMENT, INCLUDING ALL DESIGN, MANUFACTURING, REPRODUCTION, USE AND SALES RIGHTS THEREOF. THIS DRAWING IS SUBJECT TO RECALL BY ECCO AT ANY TIME, AND YOUR POSSESSION AND/OR USE CONSTITUTES ACCEPTANCE OF THESE TERMS. ©2020 ELECTRONIC CONTROLS COMPANY

REVISION HISTORY		
REV.	DESCRIPTION	DATE
01	PRELIMINARY RELEASE PER LP0001	2020-11-18
A	INITIAL RELEASE PER LP0001	2020-12-17



## SPECIFICATIONS

- CERTIFICATIONS: ; ECE R10; Reg 65 (SEE CHART); IP69K  
 Note: Unique components, accessories, and hardware kits are not typically included in the Product Certification Test Protocols. Unless otherwise Specified, the Product Certifications referred to herein are predicated upon the base product model configuration.
- FLASH MODE: ROTATE : 150 ± 10 FLASHES PER MINUTE
- VOLTAGE (NOMINAL): 12-24 VDC
- VOLTAGE (EXTREME): 10-32 VDC
- CURRENT (PEAK): 5.5A (@ 10.5 VDC NOMINAL)
- POWER (MAXIMUM): 60W (@ 10.5 VDC NOMINAL)
- TEMPERATURE RANGE: -30°C (-22°F) TO 50°C (122°F)
- CONNECTION: 2-18 AWG. WIRES
- MOUNTING: FLEXI DIN POLE MOUNT
- BASE MATERIAL: ALUMINIUM
- LENS MATERIAL: POLYCARBONATE
- PRODUCT WEIGHT: 0.72 Kg (1.59 LBS)

FGS. PRODUCT CHART		
FGS. NO.	COLOUR	ECE R65
EB5103AA	AMBER/AMBER	YES
EB5103CA	CLEAR/AMBER	YES
EB5103CG	CLEAR/GREEN	-

NOTES:  
 1. ROHS COMPLIANT  
 2. DIMENSIONS IN MILLIMETRES [INCHES (FOR REFERENCE)]

SCALE 1:2		APPROVALS	DATE
CAD GENERATED DRAWING DO NOT MANUALLY UPDATE. MODEL REFERENCED: 01		DRAWN BY: LSH	2020-11-19
TOLERANCES ARE IN INCHES, AND MILLIMETERS TOLERANCES UNLESS OTHERWISE STATED ARE:		CHECKED: PC	2020-12-02
MILLIMETERS DECIMALS XX. ± 1.0mm XX.X ± 0.5mm	INCHES DECIMALS X.X ± 0.1 X.XX ± 0.04 X.XXX ± 0.02	MECH. ENG. KW	2020-11-25
	ANGLES ± 0.5°	ELEC. ENG. MMG	2020-11-20
	FRACTIONS ± 1/64	TEST ENG. AD	2020-12-16
		SALES. GM	2020-12-17
THIRD ANGLE PROJECTION		Electronically Controlled Use Latest Copy	

**ECCO** www.eccolink.com  
 Americas (800) 635-5900 | Europe +44 (0)113 237 5340 | Asia Pacific +61 (0)3 63322444

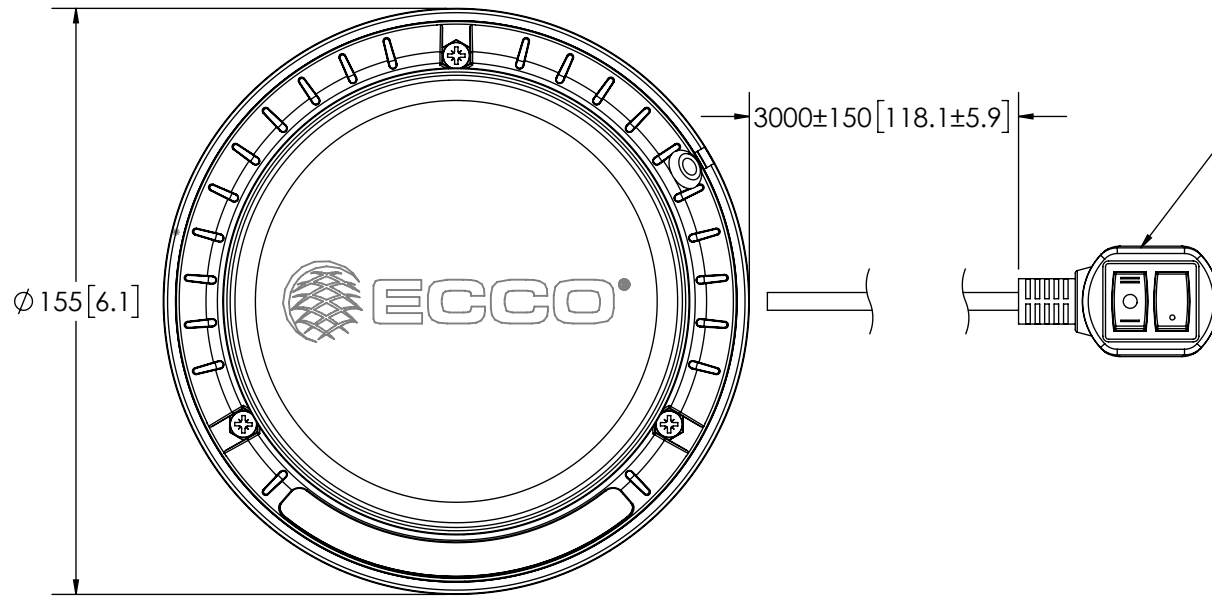
**LOW PROFILE, FLEX DIN, R65, 12/24V**

CUSTOMER PART NO.  
**SEE CHART**

SIZE: A4	DWG. NO. EB5103XX	REV. A
SHEET 1 OF 1		Project: LP0001
Date Created: 2020-11-18		

PROPRIETARY AND CONFIDENTIAL INFORMATION  
 THIS DRAWING AND THE DESIGN AND OTHER INFORMATION DISCLOSED HEREIN ARE THE PROPERTY OF ELECTRONIC CONTROLS COMPANY AND/OR ITS ECCO SAFETY GROUP AFFILIATES ("ECCO") AND IS ISSUED IN CONFIDENCE TO RECIPIENT FOR ENGINEERING INFORMATION PURPOSES ONLY. THIS DRAWING AND THE DESIGN AND OTHER INFORMATION DISCLOSED HEREIN MAY NOT BE USED, COPIED, REPRODUCED OR OTHERWISE DISCLOSED IN PART OR IN WHOLE TO THIRD PARTIES OR USED FOR ANY OTHER PURPOSE WITHOUT PRIOR ECCO WRITTEN CONSENT. ECCO RESERVES ALL PATENT, COPYRIGHT, TRADEMARK, AND OTHER PROPRIETARY RIGHTS TO THIS DOCUMENT, INCLUDING ALL DESIGN, MANUFACTURING, REPRODUCTION, USE AND SALES RIGHTS THEREOF. THIS DRAWING IS SUBJECT TO RECALL BY ECCO AT ANY TIME, AND YOUR POSSESSION AND/OR USE CONSTITUTES ACCEPTANCE OF THESE TERMS. ©2020 ELECTRONIC CONTROLS COMPANY

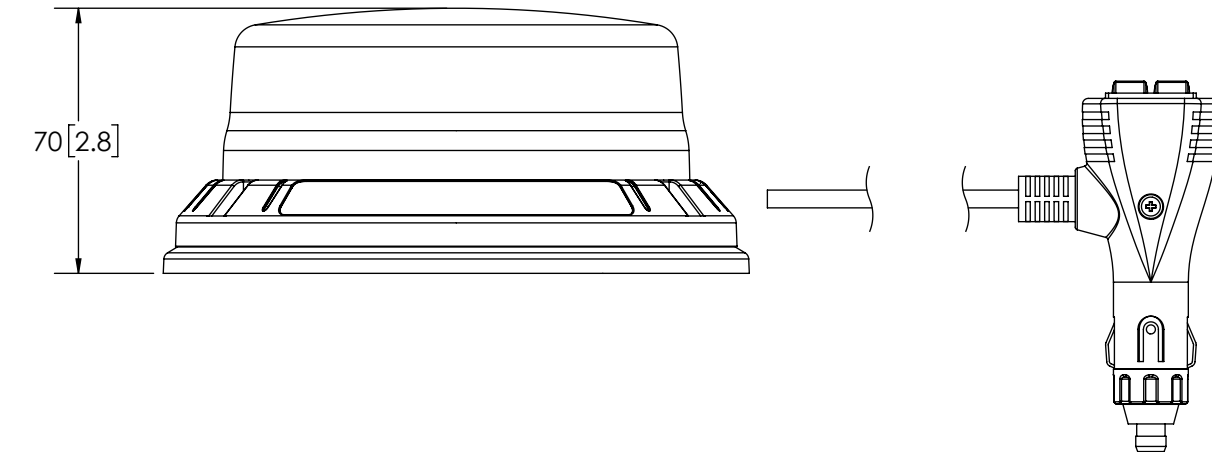
REVISION HISTORY		
REV.	DESCRIPTION	DATE
01	PRELIMINARY RELEASE PER LP0001	2020-11-19
A	INITIAL RELEASE PER LP0001	2020-12-17



CABLE W/ DUAL SWITCH LIGHTER ADAPTER

### SPECIFICATIONS

- CERTIFICATIONS: ; ECE R10; Reg 65 (SEE CHART); IP69K  
 Note: Unique components, accessories, and hardware kits are not typically included in the Product Certification Test Protocols. Unless otherwise Specified, the Product Certifications referred to herein are predicated upon the base product model configuration.
- FLASH MODE: ROTATE : 150 ± 10 FLASHES PER MINUTE  
 SINGLE : 150 ± 10 FLASHES PER MINUTE  
 DOUBLE : 150 ± 10 FLASHES PER MINUTE  
 TRIPLE : 150 ± 10 FLASHES PER MINUTE  
 QUAD : 150 ± 10 FLASHES PER MINUTE  
 AIRPORT : 75 ± 5 FLASHES PER MINUTE
- VOLTAGE (NOMINAL): 12-24 VDC
- VOLTAGE (EXTREME): 10-32 VDC
- CURRENT (PEAK): 5.5A (@ 10.5 VDC NOMINAL)
- POWER (MAXIMUM): 60W (@ 10.5 VDC NOMINAL)
- TEMPERATURE RANGE: -30°C (-22°F) TO 50°C (122°F)
- CONNECTION: DUAL SWITCH LIGHTER ADAPTER
- MOUNTING: MAGNETIC
- BASE MATERIAL: ALUMINIUM
- LENS MATERIAL: POLYCARBONATE
- PRODUCT WEIGHT: 0.88 Kg (1.94 LBS)



FGS. PRODUCT CHART		
FGS. NO.	COLOUR	ECE R65
EB5104AA	AMBER/AMBER	YES
EB5104CA	CLEAR/AMBER	YES
EB5104CG	CLEAR/GREEN	-

NOTES:  
 1. ROHS COMPLIANT  
 2. DIMENSIONS IN MILLIMETRES [INCHES (FOR REFERENCE)]

SCALE 1:2	APPROVALS	DATE
CAD GENERATED DRAWING DO NOT MANUALLY UPDATE. MODEL REFERENCED: 01	Dr. Larry Hainsworth	2020-11-19
TOLERANCES ARE IN INCHES, AND MILLIMETERS TOLERANCES UNLESS OTHERWISE STATED ARE:	CHECKED	
MILLIMETERS DECIMALS XX. ± 1.0mm XX.X ± 0.5mm	MECH. ENG.	
INCHES DECIMALS X.X ± 0.1 X.XX ± 0.04 X.XXX ± 0.02	ELEC. ENG.	
ANGLES ± 0.5°	TEST ENG.	
FRACTIONS ± 1/64	SALES	
THIRD ANGLE PROJECTION	Electronically Controlled Use Latest Copy	



**ECCO**® www.eccolink.com  
 Americas (800) 635-5900 | Europe +44 (0)113 237 5340 | Asia Pacific +61 (0)3 63322444

**LOW PROFILE, MAG, R65, 12/24V**

CUSTOMER PART NO.  
**SEE CHART**

SIZE: A4	DWG. NO. EB5104XX	REV. A
SHEET 1 OF 1	Project: LP0001	Date Created: 2020-10-27

PROPRIETARY AND CONFIDENTIAL INFORMATION  
 THIS DRAWING AND THE DESIGN AND OTHER INFORMATION DISCLOSED HEREIN ARE THE PROPERTY OF ELECTRONIC CONTROLS COMPANY AND/OR ITS ECCO SAFETY GROUP AFFILIATES ("ECCO") AND IS ISSUED IN CONFIDENCE TO RECIPIENT FOR ENGINEERING INFORMATION PURPOSES ONLY. THIS DRAWING AND THE DESIGN AND OTHER INFORMATION DISCLOSED HEREIN MAY NOT BE USED, COPIED, REPRODUCED OR OTHERWISE DISCLOSED IN PART OR IN WHOLE TO THIRD PARTIES OR USED FOR ANY OTHER PURPOSE WITHOUT PRIOR ECCO WRITTEN CONSENT. ECCO RESERVES ALL PATENT, COPYRIGHT, TRADEMARK AND OTHER PROPRIETARY RIGHTS TO THIS DOCUMENT, INCLUDING ALL DESIGN, MANUFACTURING, REPRODUCTION, USE AND SALES RIGHTS THEREOF. THIS DRAWING IS SUBJECT TO RECALL BY ECCO AT ANY TIME, AND YOUR POSSESSION AND/OR USE CONSTITUTES ACCEPTANCE OF THESE TERMS. ©2020 ELECTRONIC CONTROLS COMPANY