



# WORKLIGHTS

## EW2025R

### Outdoor Pedestrian Boundary Line



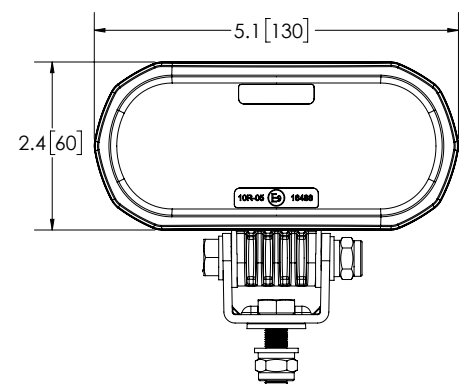
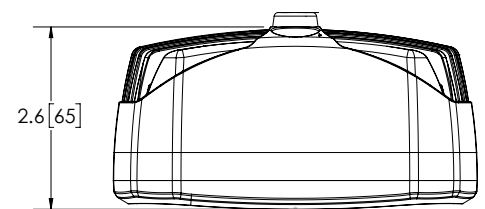
The EW2025R Outdoor Pedestrian Boundary Line is designed for material handling applications to provide a visual warning for mobile equipment and heavy machinery. This adjustable LED device projects a solid red boundary on the side of the vehicle. Combined with traditional warning and lighting equipment, the additional safety capability is especially useful when operating in the yard, near pedestrian traffic and around blind corners. Featuring 12-80 VDC operation, a stainless-steel mounting bracket and PMMA acrylic lens, the EW2025R is extremely resistant to impacts and vibration.

#### Models

PART NO.	VDC	LENS COLOUR	LED COLOUR	LUMENS	AMPS	WATTS
EW2025R	12-80	Clear	■	263	1.5	19.5

#### Features and Benefits

- Ideal for low intensity light application (not recommended during high-noon sun)
- Great for heavy machinery as well as heavy pedestrian areas
- Robust design
- PMMA acrylic lens
- Aluminum heatsink housing
- Stainless steel mounting bracket
- Temperature range: -40°C to +70°C (-40°F to +158°F)
- Works well with EW2010 Series Arrow, EW2015 Series, EW2030R Boundary or EW2002B Spot



T: 1800 815 000 | E: [aftermarket@esg.global](mailto:aftermarket@esg.global)