



# BEACONS



A, B & R  
Only

A & R  
Only

## 7660 RotoLED™ SAE Class I LED Hybrid

The 7660 Series beacon combines all the major benefits of the latest LEDs with the unmistakable warning signal of a rotator, all without compromising reliability. LED hybrid technology uses a brushless magnetic drive system to spin the reflector disk, reducing noise and eliminating the typical motor/gear drawbacks associated with conventional rotators. The 7660 also features eight high-intensity LEDs and a TIR optic to provide SAE Class I light output. Additional benefits include low amp draw, extended service-free life, and a 5-year warranty. Now CISPR25 Certified to level 3 for Radiated Emissions. This beacon meets the requirements of Heavy Vehicle Regulation 2013 No.77.

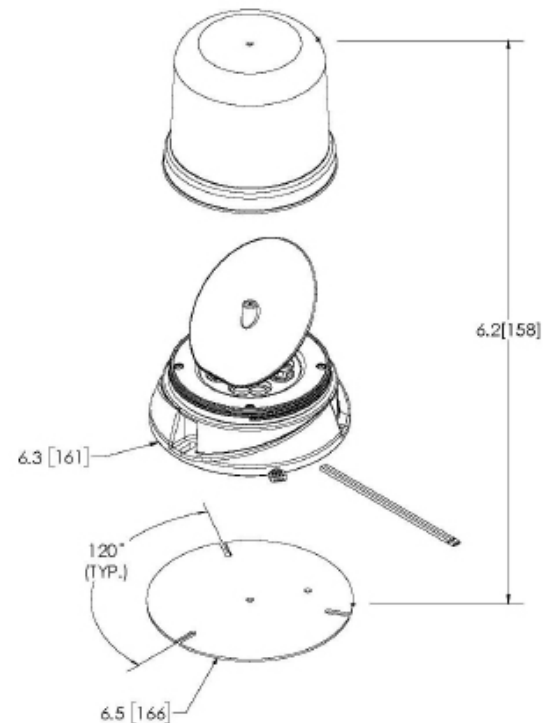
### Models

PART NO.	VOLTAGE	AMPS	FPM	LENS/ILLUMINATION	MOUNT
7660X	12-24	2.1	75 / 125	Specify Color	3 Bolt Flange/1" Pipe
7660CA	12-24	2.1	75 / 125	Clear/Amber	3 Bolt Flange/1" Pipe
7660X-VM	12-24	2.1	75 / 125	Specify Color	Vacuum Magnet
7660CA-VM	12-24	2.1	75 / 125	Clear/Amber	Vacuum Magnet

Replace X in part number with desired color: A = amber, B = blue, C = clear, G = green, R = red

### Features and Benefits

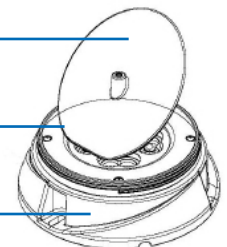
- 1 Flash pattern, 2 different rotating speeds; 70 at 75FPM and 120 at 125FPM
- LED hybrid technology provides a high intensity rotating warning signal with no gears, brushes or bulbs to wear out
- Eight high-intensity LEDs combined with a TIR optic
- UV hard coated lens to greatly reduce cracking, hazing, abrasion and fading
- Universal bolt pattern for simple mounting
- Temperature Range: -22°F to +122°F (-30°C to +50°C)
- EMC compliant with CISPR 25 level 3  
\*CISPR 25 Radiated Emissions only



45° angled reflector driven by a quiet brushless magnetic drive system provides an exceptional warning beam without compromising reliability

Eight high intensity, 3-watt LEDs combined with a unique TIR optic project light onto the reflector to provide SAE Class I light output

Unique base design efficiently dissipates heat from the LEDs



T 1800 815 000 | [esgaps@esg.global](mailto:esgaps@esg.global)