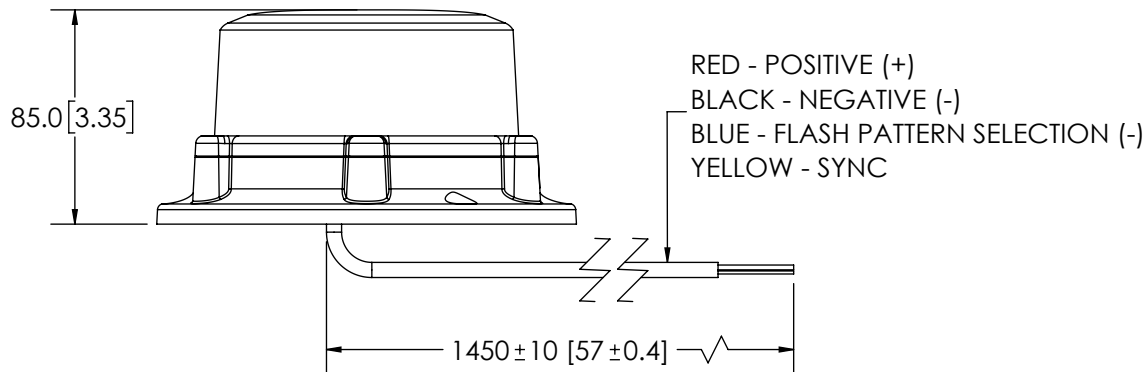
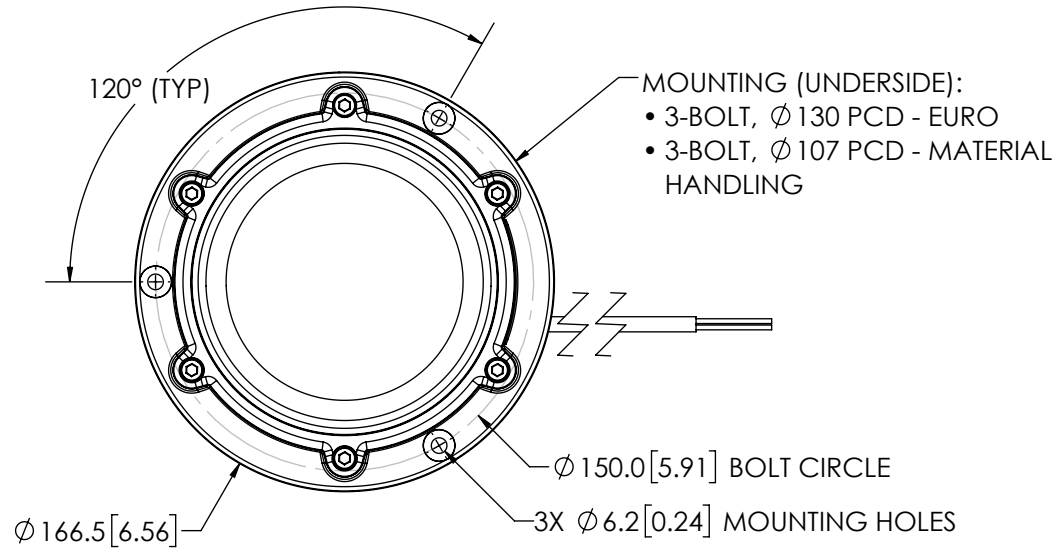


REVISION HISTORY		
REV.	DESCRIPTION	DATE
A	INITIAL RELEASE	2021-11-04




SPECIFICATIONS

- CERTIFICATIONS: IP67/IP69K; ECE R10; SAE J845 (JUN 2013) CLASS 1A - YELLOW(SEE CHART); CISPR-25 CLASS 5; T13 (E); ACMA RCM
Note: Unique components, accessories, and hardware kits are not typically included in the Product Certification Test Protocols. Unless otherwise Specified, the Product Certifications referred to herein are predicated upon the base product model configuration.
- FLASH MODE: 20 FLASH PATTERNS - SEE PRODUCT MANUAL FOR FLASH RATES AND APPROVALS
- VOLTAGE (NOMINAL): 12 to 24 VDC
- VOLTAGE (EXTREME): 10.0 to 32.0 VDC
- CURRENT (PEAK): 4.4A (@ 13.8 VDC)
- POWER (MAXIMUM): 60.7W (@ 13.8 VDC)
- TEMPERATURE RANGE: -40°C (-40°F) TO 60°C (140°F)
- CONNECTION: 2x 22AWG + 2x 16AWG WIRES
- MOUNTING: FLANGE
- BASE MATERIAL: CAST ALUMINIUM
- LENS MATERIAL: POLYCARBONATE WITH U.V. HARDCOAT
- PRODUCT WEIGHT: 0.85kg (1.87 lbs)

FG PRODUCT CHART			
FG P/N	COLOUR	SAE J845	T13
EB8160A	AMBER	CLASS 1A	CLASS E
EB8160CA	CLEAR/AMBER	CLASS 1A	CLASS E

- NOTES:
- DIMENSIONS IN MILLIMETERS [INCHES (FOR REFERENCE)]

SCALE 1:3		APPROVALS	DATE
CAD GENERATED DRAWING DO NOT MANUALLY UPDATE. MODEL REFERENCED:		DRAWN BY ACS	2021-11-04
TOLERANCES ARE IN INCHES, AND MILLIMETERS TOLERANCES UNLESS OTHERWISE STATED ARE:		CHECKED	
MILLIMETERS DECIMALS	INCHES DECIMALS	MECH. ENG.	
XX ± 1.0mm	X.X ± 0.1	ELEC. ENG.	
XX.X ± 0.5mm	X.XX ± 0.04	TEST ENG.	
	X.XXX ± 0.02	SALES	
	ANGLES ± 0.5°		
	FRACTIONS ± 1/64		
THIRD ANGLE PROJECTION		 ECCO ® www.eccolink.com Americas (800) 635-5900 Europe +44 (0)113 237 5340 Asia Pacific +61 (0)3 63322444	
LED HD BEACON, 3 BOLT, 10-30VDC CUSTOMER PART NO. SEE CHART			
SIZE: A4	DWG. NO. EB8160X	REV. A	
Electronically Controlled Use Latest Copy SHEET 1 OF 1		Project:	Date Created:

PROPRIETARY AND CONFIDENTIAL INFORMATION

THIS DRAWING AND THE DESIGN AND OTHER INFORMATION DISCLOSED HEREIN ARE THE PROPERTY OF ELECTRONIC CONTROLS COMPANY AND/OR ITS ECCO SAFETY GROUP AFFILIATES ("ECCO") AND IS ISSUED IN CONFIDENCE TO RECIPIENT FOR ENGINEERING INFORMATION PURPOSES ONLY. THIS DRAWING AND THE DESIGN AND OTHER INFORMATION DISCLOSED HEREIN MAY NOT BE USED, COPIED, REPRODUCED OR OTHERWISE DISCLOSED IN PART OR IN WHOLE TO THIRD PARTIES OR USED FOR ANY OTHER PURPOSE WITHOUT PRIOR ECCO WRITTEN CONSENT. ECCO RESERVES ALL PATENT, COPYRIGHT, TRADEMARK, AND OTHER PROPRIETARY RIGHTS TO THIS DOCUMENT, INCLUDING ALL DESIGN, MANUFACTURING, REPRODUCTION, USE AND SALES RIGHTS THEREOF. THIS DRAWING IS SUBJECT TO RECALL BY ECCO AT ANY TIME, AND YOUR POSSESSION AND/OR USE CONSTITUTES ACCEPTANCE OF THESE TERMS. ©2021 ELECTRONIC CONTROLS COMPANY