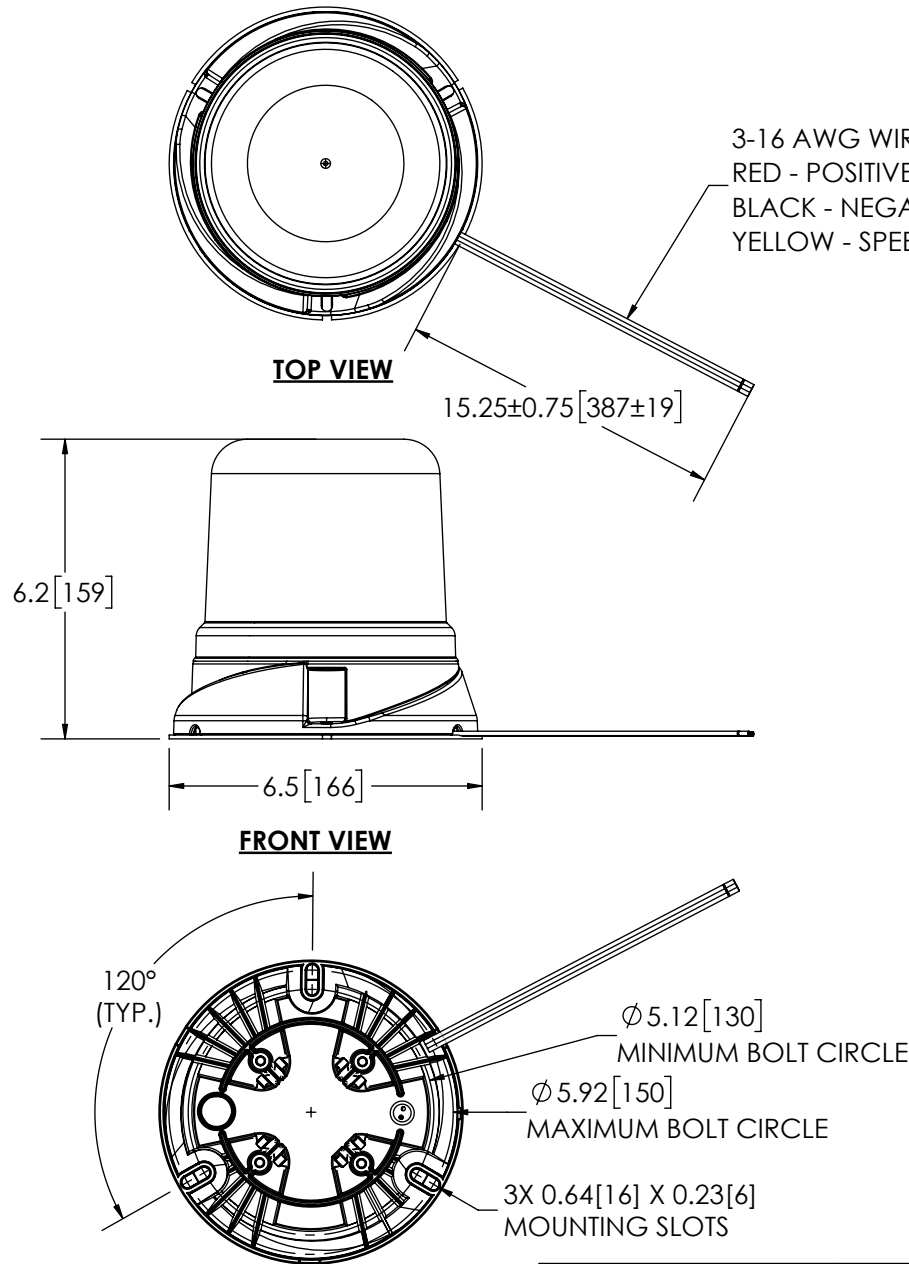


REVISION HISTORY		
REV.	DESCRIPTION	DATE
C	REVISE PER P13027	2017-08-07
D	REVISE PER P13027	2018-08-28
E	REVISED PER EC6640	2023-03-28



## SPECIFICATIONS

- CERTIFICATIONS: **CE**; ECE R10; SAE (SEE CHART); ; CA Title 13 (SEE CHART); TITLE Reg 65 CertTA1-E9-00.1873 (SEE CHART); IP6K6D/|P6K7D  
Note: Unique components, accessories, and hardware kits are not typically included in the Product Certification Test Protocols. Unless otherwise Specified, the Product Certifications referred to herein are predicated upon the base product model configuration.
- FLASH MODE: SINGLE : 130 ± 5 FLASHES PER MINUTE  
SINGLE : 75 ± 5 FLASHES PER MINUTE
- VOLTAGE (NOMINAL): 12-24 VDC
- VOLTAGE (EXTREME): 9-32 VDC
- CURRENT (PEAK): 2.08A (@ 12 VDC NOMINAL)
- POWER (MAXIMUM): 26.6W (@ 12 VDC NOMINAL)
- TEMPERATURE RANGE: -22°F (-30°C) TO 122°F (50°C)
- CONNECTION: 3-16 AWG. WIRES
- MOUNTING: FLANGE MOUNT
- BASE MATERIAL: ALUMINUM
- LENS MATERIAL: POLYCARBONATE
- PRODUCT WEIGHT: 2.53 LBS (1.14 Kg)

FGS. PRODUCT CHART				
FGS. NO.	COLOR	TITLE 13	J845 (JUN 2013)	ECE R65
7660A	AMBER	CLASS E	CLASS I	CLASS 1
7660B	BLUE	-	CLASS 2	-
7660G	GREEN	-	-	-
7660R	RED	-	CLASS I	CLASS 1

### BOTTOM VIEW - BOTTOM GASKET NOT SHOWN FOR CLARITY

- NOTES:
- ROHS COMPLIANT
  - DIMENSIONS IN INCHES[MILLIMETERS (FOR REFERENCE)]

PROPRIETARY AND CONFIDENTIAL INFORMATION

THIS DRAWING AND THE DESIGN AND OTHER INFORMATION DISCLOSED HEREIN ARE THE PROPERTY OF ELECTRONIC CONTROLS COMPANY AND/OR ITS ECCO SAFETY GROUP AFFILIATES ("ECCO") AND IS ISSUED IN CONFIDENCE TO RECIPIENT FOR ENGINEERING INFORMATION PURPOSES ONLY. THIS DRAWING AND THE DESIGN AND OTHER INFORMATION DISCLOSED HEREIN MAY NOT BE USED, COPIED, REPRODUCED OR OTHERWISE DISCLOSED IN PART OR IN WHOLE TO THIRD PARTIES OR USED FOR ANY OTHER PURPOSE WITHOUT PRIOR ECCO WRITTEN CONSENT. ECCO RESERVES ALL PATENT, COPYRIGHT, TRADEMARK AND OTHER PROPRIETARY RIGHTS TO THIS DOCUMENT, INCLUDING ALL DESIGN, MANUFACTURING, REPRODUCTION, USE AND SALES RIGHTS THERETO. THIS DRAWING IS SUBJECT TO RECALL BY ECCO AT ANY TIME, AND YOUR POSSESSION AND/OR USE CONSTITUTES ACCEPTANCE OF THESE TERMS. ©2008 ELECTRONIC CONTROLS COMPANY

SCALE 1:4		APPROVALS	DATE
CAD GENERATED DRAWING DO NOT MANUALLY UPDATE.		DRAWN BY ABD	2023-03-22
TOLERANCES ARE IN INCHES, AND MILLIMETERS TOLERANCES UNLESS OTHERWISE STATED ARE:		CHECKED BTK	2023-03-24
MILLIMETERS DECIMALS XX. ± 1.0mm XX.X ± 0.5mm		MECH. ENG. JLA	2023-03-23
INCHES DECIMALS X.X ± 0.1 X.XX ± 0.04 X.XXX ± 0.02		ELEC. ENG. SPO	2023-03-27
ANGLES ± 0.5°		TEST ENG. JRT	2023-03-27
FRACTIONS ± 1/64		SALES.	
THIRD ANGLE PROJECTION			


**ECCO**<sup>®</sup> [www.eccolink.com](http://www.eccolink.com)  
Americas (800) 635-5900 | Europe +44 (0)113 237 5340 | Asia Pacific +61 (0)3 63322444

### LED HYBRID BEACON, 12-24VDC

CUSTOMER PART NO.  
**SEE CHART**

SIZE: A	DWG. NO. 7660X	REV. E
Electronically Controlled Use Latest Copy		SHEET 1 OF 1
Project: 08022		Date Created: 2008-06-23