



## WORKLIGHTS



### EW2530 120° Lens LED Worklight

The EW2530 worklight offers the latest technology and the very brightest white light. This compact LED worklight has a 120 degree lens and comes with a heavy duty stainless steel mounting bracket and aluminium housing making this worklight perfect for a variety of applications. The EW2530 worklight is also EMC compliant, offers over 80,000 hours of maintenance-free life expectancy coupled with low amp draw and a built-in vent to prevent fogging.

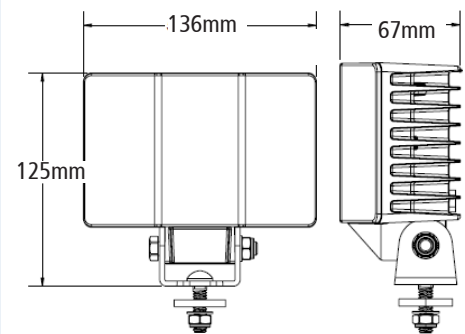
#### Models

PART NO.	TYPE	RAW LUMENS	EFFECTIVE LUMENS	AMPS
EW2530	Flood	3,750	3,074	3.6

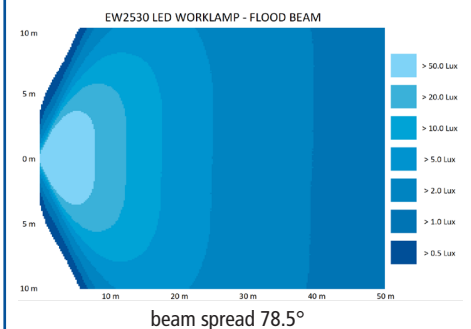
#### Features

- 6 × 10 Watt LEDs
- CISPR 25 Level 5
- Wider light spread
- 12-24 VDC
- Over/Under Voltage Protection
- Heavy-duty stainless-steel mounting bracket
- Reverse Polarity Protection
- Built-in Deutsch connector
- Built-in vent to prevent fogging
- Aluminium housing
- Polycarbonate lens
- Temperature range: -40°C to 65°C (-40°F to 149°F)
- 80,000+ hr LED Lifespan

#### Dimensions



#### Beam Pattern



T 1800 815 000 | [aftermarket@esg.global](mailto:aftermarket@esg.global)

[www.ecco.esg.com/au](http://www.ecco.esg.com/au)

An ECCO SAFETY GROUP™ Company