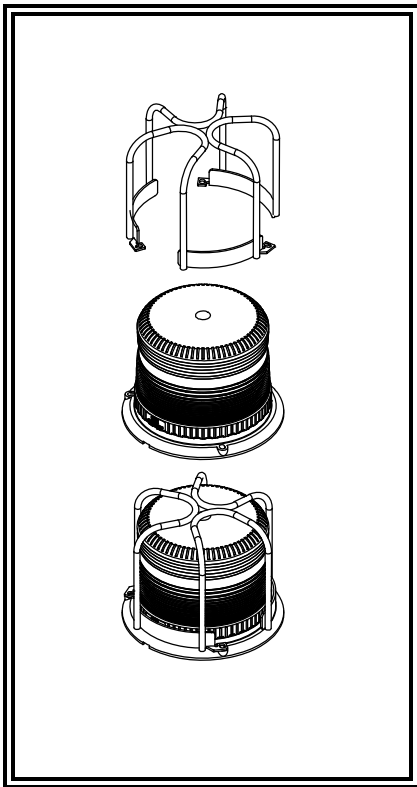




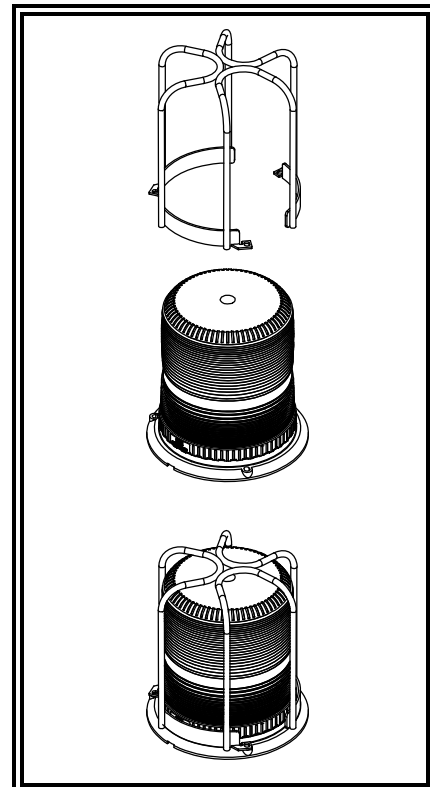
Installation Instructions

Branch Guard

Model A6050BG
(Fits Model 6550)



Model A6070BG
(Fits Model 6570)



Installation:

1. Remove existing mounting screws.
2. Place branch guard over strobe lens as shown and line up with the 3 mounting holes in the base.
3. Install branch guard with the screws removed in step 1.

Installation Questions? Call ECCO Customer Service at 1-800-635-5900

ECCO[®]
Electronic Controls Co.
An Employee Owned Company

833 West Diamond St.
Boise, Idaho 83705
P. O. Box 7246
Boise, Idaho 83707
(800) 635-5900
Fax (800) 688-3226
<http://www.eccolink.com>