



BUS LIGHTS



200 Series School Bus Flashers

Surface | Retrofit | Window





The 200 Series is the next generation of bus signal lighting. Featuring enhanced styling with easier installation. The 200 series is designed to be fitted into new and existing builds with multiple mounting options- Surface mount, Retrofit or Window mount. The Retrofit mount follows the existing bolt-hole patterns from the legacy 830-1XX series Hazard Systems bus flashers for a fast and easy upgrade.

All models feature a steady burn mode for backwards compatibility with legacy flasher controllers, a built-in wig wag and sync flash patterns. All models outperform photometric and surface area standards for Australian bus flashers.

Indicated models include a 70mm black plate for selected state requirements (such as TS150)



Models:

PART NO.	COLOUR	VOLTAGE	AMPS	MOUNT	PLATE
830-200A		12-24	1.2	SURFACE	-
830-201A		12-24	1.2	SURFACE	70mm Black
830-202A		12-24	1.2	RETROFIT	-
830-203A		12-24	1.2	WINDOW	-

1800 025 921 | esgapcs@esg.global

200 Series School Bus Flashers

Surface | Retrofit | Window



830-200A

830-201A

SURFACE:

Surface mount 830-200A and 830-201A models are designed with functionality in mind. Featuring a built-in wig-wag as well as steady-burn flash patterns, these surface mount models are built for new and existing builds. Furthermore, the 830-201A includes a 70mm black border to comply with local state requirements.

RETROFIT:

The 830-202A is designed as a retrofit for the former recessed 830-210A and 830-211A models. With the same easy mounting holes the 830-202A is an easy solution for an existing retrofit build. With enhanced luminosity and the same built-in wig-wag option as the 830-200A, along with the trusted standard steady-burn, the 830-202A is a great solution.



830-202A



830-203A

WINDOW:

Window mount 830-203A is designed for installation to the internal glass window. The 830-203A is perfect for integration into new and existing builds and features an integrated wig-wag flash pattern and a clean no-drill mounting solution with black VHB (3M-4991B) adhesive.

1800 025 921 | esgapcs@esg.global

www.ecco.esg.com/au

An ECCO SAFETY GROUP Company

200 Series School Bus Flashers

Surface | Retrofit | Window



Luminous Intensity Chart:

Luminous Intensity of Warning Lights. 830-200A.

		Horizontal								
		-30°	-20°	-10°	-5°	0°	5°	10°	20°	30°
Vertical	10°				50 624	80 666	50 583			
	5°		180 742	320 981	350 1219	450 1408	350 1105	320 895	180 653	
	0	75 631	450 1042	1000 1301	1250 1659	1500 2002	1250 1509	1000 1220	450 937	75 535
	-5°	40 576	270 933	450 1176	570 1392	600 1556	570 1291	450 1106	270 883	40 523
	-10°				75 804	75 847	75 789			

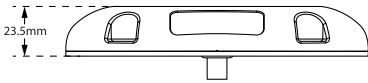
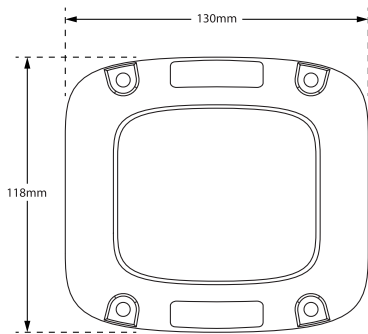
Top number = requirement

Bottom number = measured (bold)

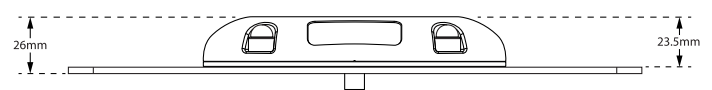
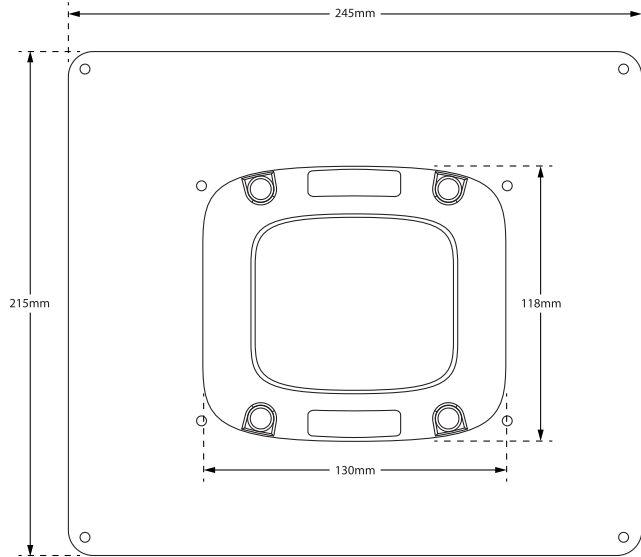
200 Series School Bus Flashers

Surface | Retrofit | Window

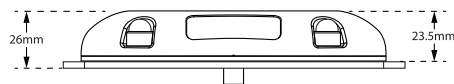
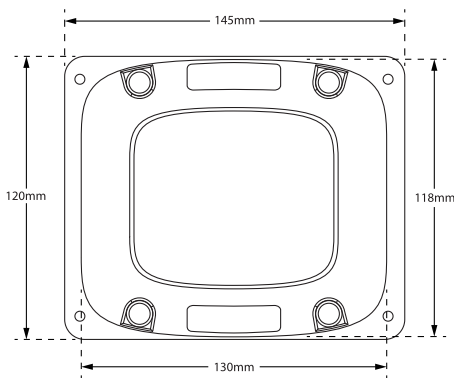
830-200A



830-201A



830-202A



830-203A

