



# WORKLAMPS

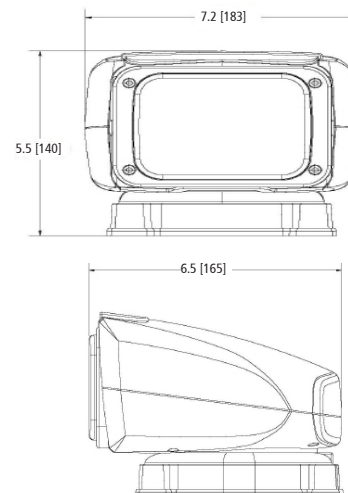


Lighthouse only

## FOCUS360™ SERIES Remote Spotlight LEDs

ECCO's EW3000 Series Remote Spotlights are multifunctional, motorized searchlights featuring a 12-24 VDC operation. Both spotlights can be installed wirelessly and are protected by a polycarbonate lens and the housings are available in black or white.

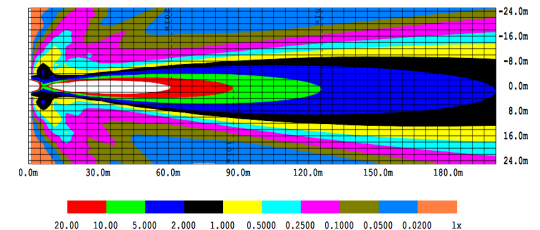
The EW3000/3001 offers 350-degree rotation and a 90 degree tilt range, with patent pending reflective optics. ASA resin housing makes the EW3000/3001 corrosion, UV and impact resistant.



### Models

PART NO.	VOLTAGE	AMPS	BEAM DISTANCE	CANDELAS	TILT RANGE	COLOR
EW3000	12-24	1.7	2,050 ft	88,000	90°	Black
EW3001	12-24	1.7	2,050 ft	88,000	90°	White

### ISOLUX



### Features and Benefits

- Six 5-watt LEDs
- Permanent or magnet mount available
- Aluminum heatsink light head
- Polycarbonate housing

### Replacement Parts & Accessories

Description	Part No.
Replacement Remote	ER3010
Magnet Mount Kit, Black (EW3000)	EZ3014
Magnet Mount Kit, White (EW3001)	EZ3015

T 1800 815 000 | [aftermarket@eccogroup.com](mailto:aftermarket@eccogroup.com)