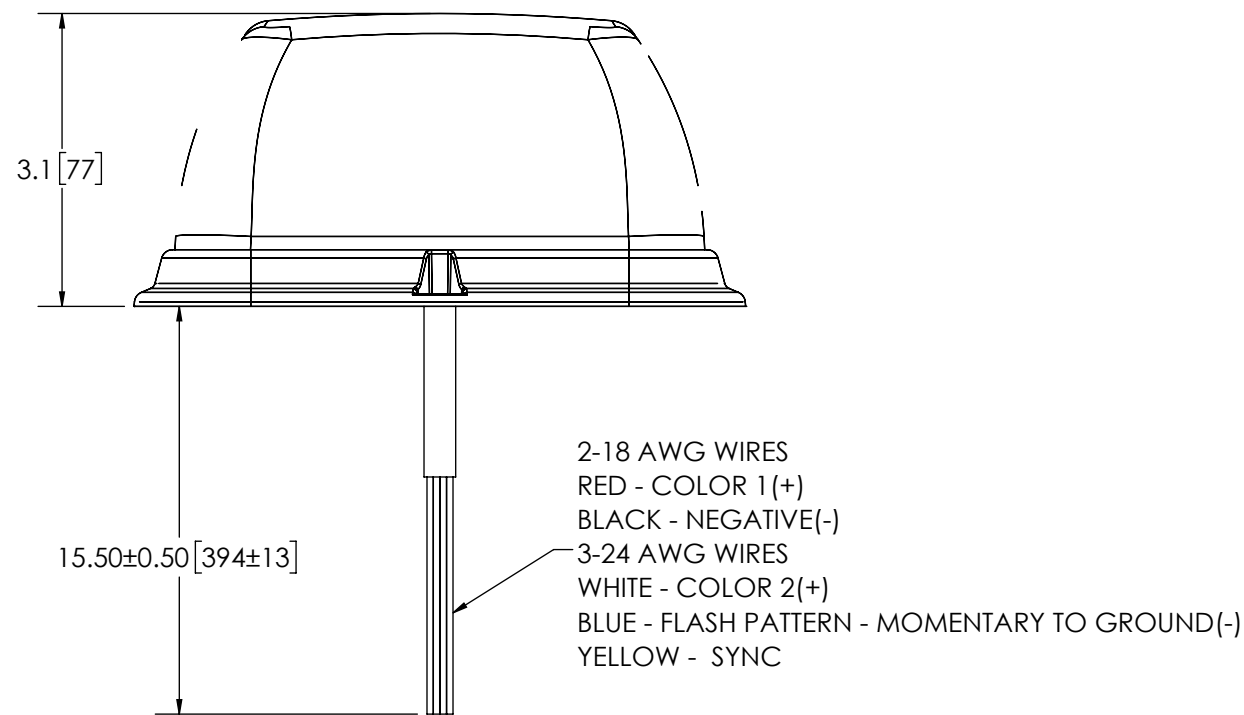
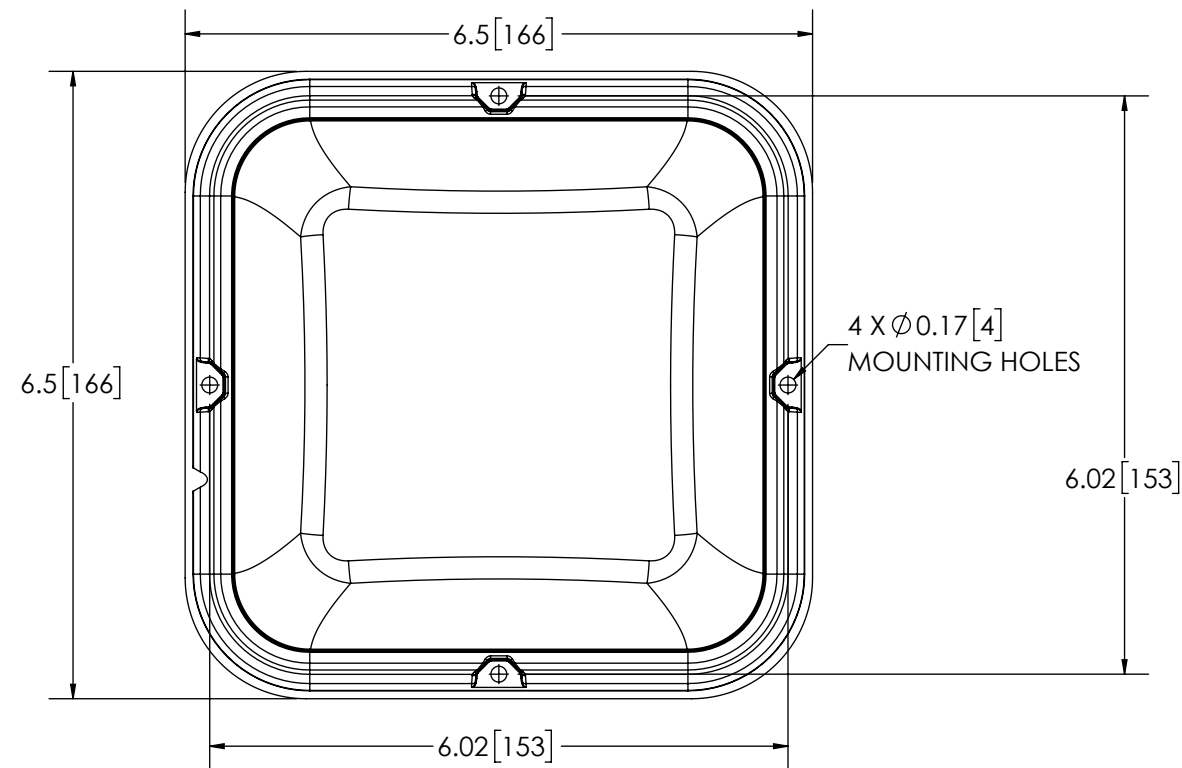


REVISION HISTORY		
REV.	DESCRIPTION	DATE
D	REVISE PER EL0005	2017-04-11
E	REVISE PER	2018-06-19
F	REVISED PER EC5278	2019-08-05



SPECIFICATIONS

- CERTIFICATIONS: ECE R10; SAE (SEE CHART) ; CA Title 13 (SEE CHART) ; IP55
 Note: Unique components, accessories, and hardware kits are not typically included in the Product Certification Test Protocols. Unless otherwise Specified, the Product Certifications referred to herein are predicated upon the base product model configuration.
- FLASH MODE: SINGLE : 120 ± 5 FLASHES PER MINUTE
 DOUBLE : 120 ± 5 FLASHES PER MINUTE
 QUAD : 120 ± 5 FLASHES PER MINUTE
- VOLTAGE (NOMINAL): 12 to 24 VDC
- VOLTAGE (EXTREME): 10 to 30 VDC
- CURRENT (PEAK): 8.56A (@ 12 VDC NOMINAL)
- POWER (MAXIMUM): 109.6W (@ 12 VDC NOMINAL)
- TEMPERATURE RANGE: -22°F (-30°C) TO 122°F (50°C)
- CONNECTION: 2 - 18 AWG + 3 - 24 AWG CABLE
- MOUNTING: 4 BOLT
- BASE MATERIAL: ALUMINUM
- LENS MATERIAL: POLYCARBONATE
- PRODUCT WEIGHT: 1.5 LBS (0.68 Kg)

FGS PRODUCT CHART			
FGS NO.	COLOR	J845 (JUN 2013)	CA T13
EB7185AAA	AMBER/AMBER/AMBER	CLASS 1; AMBER	CLASS E
EB7185CAC	WHITE/AMBER/WHITE	CLASS 1; AMBER, WHITE	CLASS E
EB7185CCC	WHITE/WHITE/WHITE	CLASS 1; WHITE	-
EB7185CAA	WHITE/AMBER/AMBER	CLASS 1; AMBER	CLASS E
EB7185CAB	WHITE/AMBER/BLUE	CLASS 1; AMBER, BLUE	CLASS E
EB7185CAG	WHITE/AMBER/GREEN	CLASS 1; AMBER	CLASS E
EB7185CAR	WHITE/AMBER/RED	CLASS 1; AMBER, RED	CLASS E

DISCLAIMER
 DIMENSIONS, ILLUSTRATIONS, SPECIFICATIONS, AND CERTIFICATIONS CONTAINED IN THIS DOCUMENT ARE TYPICAL OF THE ACTUAL PRODUCT AND ARE SUBJECT TO CHANGE. ECCO ENGINEERING DOES NOT MAINTAIN FORMAL DESIGN CONTROL OF THIS PRODUCT

MOUNTING DISCLAIMER:
 MOUNTING MEASUREMENT IS FOR REFERENCE ONLY.
 MEASURE BEFORE DRILLING.

- NOTES:**
- ROHS COMPLIANT
 - DIMENSIONS IN INCHES[MILLIMETERS (FOR REFERENCE)]

PROPRIETARY AND CONFIDENTIAL INFORMATION

THIS DRAWING AND THE DESIGN AND OTHER INFORMATION DISCLOSED HEREIN ARE THE PROPERTY OF ELECTRONIC CONTROLS COMPANY AND/OR ITS ECCO SAFETY GROUP AFFILIATES ("ECCO") AND IS ISSUED IN CONFIDENCE TO RECIPIENT FOR ENGINEERING INFORMATION PURPOSES ONLY. THIS DRAWING AND THE DESIGN AND OTHER INFORMATION DISCLOSED HEREIN MAY NOT BE USED, COPIED, REPRODUCED OR OTHERWISE DISCLOSED IN PART OR IN WHOLE TO THIRD PARTIES OR USED FOR ANY OTHER PURPOSE WITHOUT PRIOR ECCO WRITTEN CONSENT. ECCO RESERVES ALL PATENT, COPYRIGHT, TRADEMARK AND OTHER PROPRIETARY RIGHTS TO THIS DOCUMENT, INCLUDING ALL DESIGN, MANUFACTURING, REPRODUCTION, USE AND SALES RIGHTS THEREIN. THIS DRAWING IS SUBJECT TO RECALL BY ECCO AT ANY TIME, AND YOUR POSSESSION AND/OR USE CONSTITUTES ACCEPTANCE OF THESE TERMS. ©2019 ELECTRONIC CONTROLS COMPANY

SCALE 1:2		APPROVALS	DATE
CAD GENERATED DRAWING DO NOT MANUALLY UPDATE. MODEL REFERENCED: A		DRAWN BY ABD	2019-04-22
TOLERANCES ARE IN INCHES, AND MILLIMETERS TOLERANCES UNLESS OTHERWISE STATED ARE:		CHECKED ABB	2019-04-23
MILLIMETERS DECIMALS	INCHES DECIMALS	MECH. ENG. JLA	2019-04-22
XX ± 1.0mm	XX ± 0.1	ELEC. ENG. SPO	2019-04-22
XX.X ± 0.5mm	X.XX ± 0.04	TEST ENG. JRT	2019-04-23
	X.XXX ± 0.02	SALES. ARS	2019-04-22
	ANGLES ± 0.5°		
	FRACTIONS ± 1/64		
THIRD ANGLE PROJECTION			
Electronically Controlled Use Latest Copy		www.eccolink.com Americas (800) 635-5900 Europe +44 (0)113 237 5340 Asia Pacific +61 (0)3 63322444 LED BEACON,SQ,DBL STACK,X/X/X,12-24V CUSTOMER PART NO. SEE CHART PRODUCT SERIES: EB7185 SIZE: B DWG. NO. EB7185XXX SHEET 1 OF 1 Project: EL0005 Date Created: 2015-11-13 REV. F	