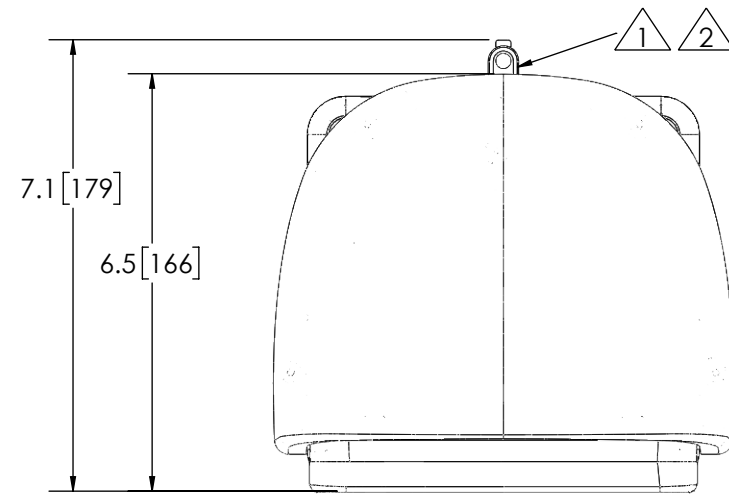
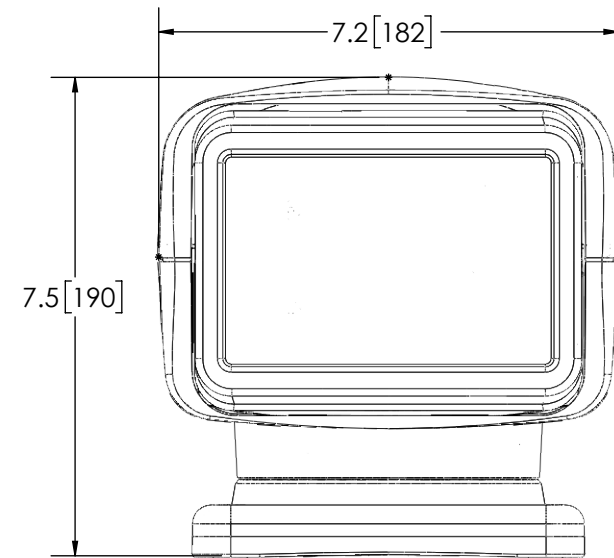


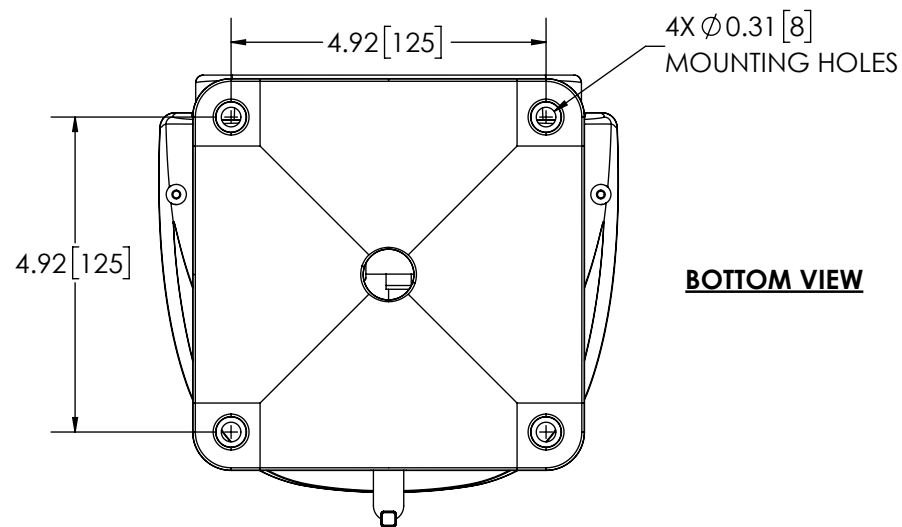
REVISION HISTORY		
REV.	DESCRIPTION	DATE
03	REVISED PER EL0057	2017-08-29
A	INITIAL RELEASE PER EL0057	2017-08-30
B	REVISE PER EL0057	2017-10-13



TOP VIEW



FRONT VIEW



BOTTOM VIEW

NOTES:

1. CABLE NOT SHOWN FOR CLARITY
4-CONDUCTOR CABLE WITH JOYSTICK CONNECTOR
CABLE DIMENSION IS 2.00 ± 0.50 [51 ± 13] FROM WIRE EXIT TO BACK OF CONNECTOR
2. WIRES NOT SHOWN FOR CLARITY
2-18 AWG WIRES W/ BULLET TERMINALS
RED (+) POSITIVE, BLACK (-) NEGATIVE
WIRE DIMENSION IS 6.50 ± 0.50 [165 ± 13] FROM WIRE EXIT TO END OF WIRES
3. DIMENSIONS IN INCHES [MILLIMETERS (FOR REFERENCE)]

COLOR CHART	
FGS P/N	HOUSING COLOR
EW3010	BLACK
EW3011	WHITE

SPECIFICATIONS

1. CERTIFICATIONS:
Note: Unique components, accessories, and hardware kits are not typically included in the Product Certification Test Protocols. Unless otherwise Specified, the Product Certifications referred to herein are predicated upon the base product model configuration.
2. RAW LUMENS: 2251 lumens
3. EFFECTIVE LUMENS: 2052 lumens
4. ILLUMINANCE: 348.2 lux
5. PEAK BEAM INTENSITY: 32694 Candela
6. EFFICACY: 55.1 lm/W
7. CORRELATED COLOR TEMPERATURE: 5025K
8. VOLTAGE (NOMINAL): 12-24 VDC
9. VOLTAGE (EXTREME): 9-32 VDC
10. CURRENT (PEAK): 2.7A (@ 12 VDC NOMINAL)
11. POWER (MAXIMUM): 37.5W (@ 12 VDC NOMINAL)
12. TEMPERATURE RANGE: -22°F (-30°C) TO 122°F (50°C)
13. CONNECTION:
14. MOUNTING: 4 BOLT
15. HOUSING MATERIAL: ALUMINUM
16. LENS MATERIAL: POLYCARBONATE
17. PRODUCT WEIGHT: 4.7 LBS (2.12 Kg)

MOUNTING DISCLAIMER
MOUNTING MEASUREMENT IS FOR REFERENCE ONLY. MEASURE BEFORE DRILLING.

DISCLAIMER
DIMENSIONS, ILLUSTRATIONS, SPECIFICATIONS AND CERTIFICATIONS CONTAINED IN THIS DOCUMENT ARE TYPICAL OF THE ACTUAL PRODUCT AND ARE SUBJECT TO CHANGE. ECCO ENGINEERING DOES NOT MAINTAIN FORMAL DESIGN CONTROL OF THIS PRODUCT.

NON DISCLOSURE AGREEMENT
THIS DRAWING AND THE DESIGN IT DISCLOSES ARE THE PRIVATE PROPERTY OF ELECTRONIC CONTROLS CO. AND IS ISSUED IN CONFIDENCE FOR ENGINEERING INFORMATION ONLY. THE DRAWING AND / OR DESIGN MAY NOT BE USED, COPIED, REPRODUCED, OR OTHERWISE DISCLOSED IN PART OR AS A WHOLE TO OUTSIDERS OR USED FOR ANY OTHER PURPOSE WITHOUT THE PRIOR WRITTEN CONSENT OF ELECTRONIC CONTROLS CO. THE DRAWING IS SUBJECT TO RECALL AT ANY TIME. YOUR POSSESSION OF THIS DOCUMENT CONSTITUTES ACCEPTANCE OF THESE TERMS. © 2017 ELECTRONIC CONTROLS CO.

SCALE 1:3		APPROVALS	DATE
CAD GENERATED DRAWING DO NOT MANUALLY UPDATE. MODEL REFERENCED: A		DRAWN BY	2017-10-12
TOLERANCES ARE IN INCHES, AND MILLIMETERS TOLERANCES UNLESS OTHERWISE STATED ARE:		CHECKED ABD	2017-10-12
MILLIMETERS DECIMALS	INCHES DECIMALS	MECH. ENG.	
XX. ± 1.0mm XX.X ± 0.5mm	X.X ± 0.1 X.XX ± 0.04 X.XXX ± 0.02	ELEC. ENG.	
	ANGLES ± 0.5°	TEST ENG.	
	FRACTIONS ± 1/64	SALES. JPT	2017-10-13
THIRD ANGLE PROJECTION			
Electronically Controlled Use Latest Copy			

ECCO www.eccolink.com
Americas (800) 635-5900 | Europe +44 (0)113 237 5340 | Asia Pacific +61 (0)3 63322444

WIRELESS SPTLIGHT, 10 LED PERM, 12-24V

CUSTOMER PART NO. SEE CHART PRODUCT SERIES:

SIZE: B DWG. NO. EW301X REV. B

Project: EL0057 Date Created: 2017-06-20

SHEET 1 OF 1