



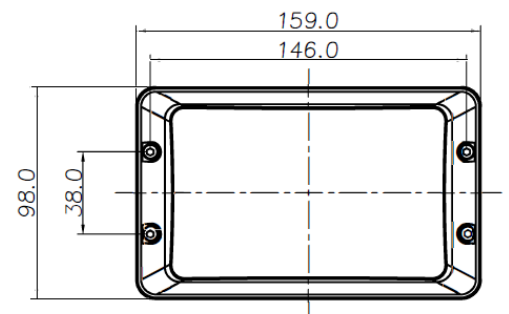
WORKLIGHTS

EW4000 SERIES



Solid State LED Scene Light

The ECCO EW4000 Series LED scene light has been designed to offer an extremely bright flood beam while maintaining a low current draw. Encased in a slimline robust aluminium case, the EW4000 scene light uses 10 super bright LEDs that are rated at 100,000 hours of operation. With the addition of CISPR25 level 3 certification for a vastly reduced EMC interference across conducted and emitted emissions, you can be sure the EW4000 will perform and not interfere.



Models

PART NO.	LED COLOUR	LENS COLOUR	VOLTAGE	ANGLE
EW4005	<input type="checkbox"/>	<input type="checkbox"/>	10-30	Flat
EW4006	<input type="checkbox"/>	<input type="checkbox"/>	10-30	62°

Design Features

- CISPR 25 level 3 for reduced EMC interference
- 10 x 1W CREE LEDs, bright and reliable
- Rated at 100,000 hours of operation
- IP67 & 69K for dust and water ingress protection
- Vibration resistant design
- Aluminium base for heat sinking
- Slimline design, easy installation
- Suitable for worklight or cabin light use
- Tilt mount available for EW4006 for 62° angle
- 10-30 VDC
- 500mm cable length
- Temperature range: -40°C to 70°C (-40°F to 158°F)

