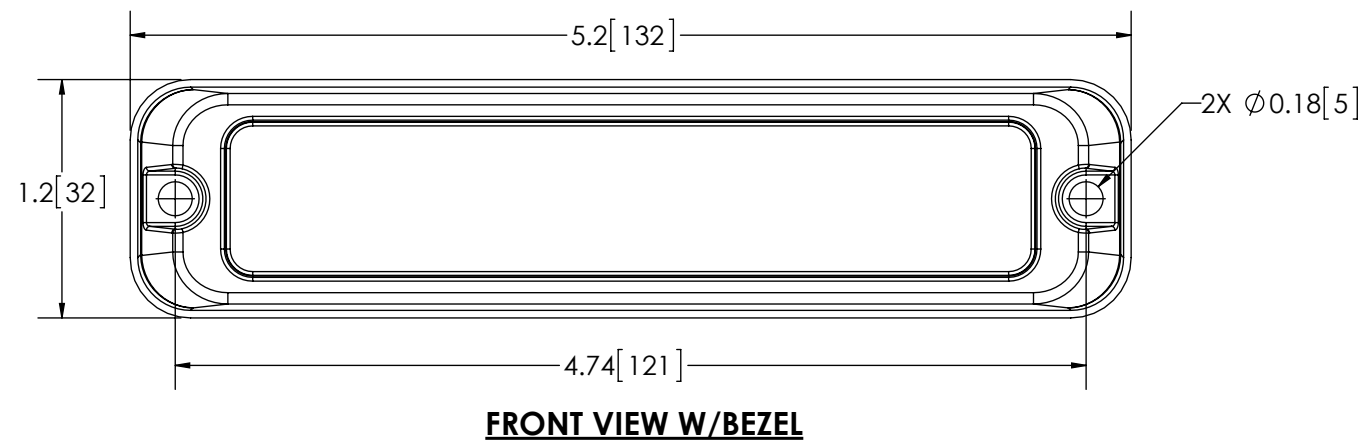
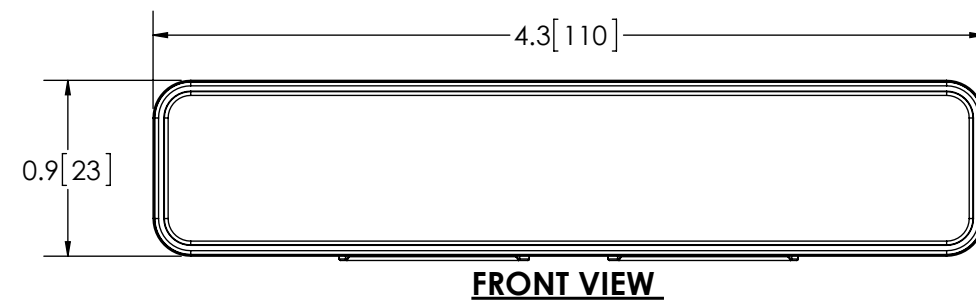
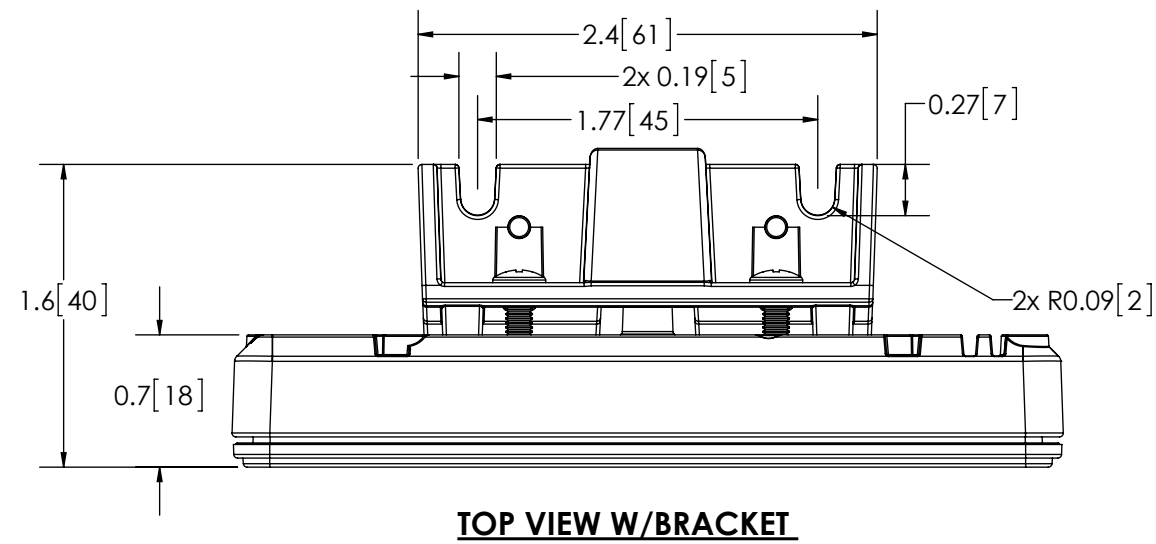


REVISION HISTORY		
REV.	DESCRIPTION	DATE
08	REVISED PER LM14213	2014-11-03
09	REVISED PER LM14213	2014-11-06
A	INITIAL RELEASE PER LM14213	2014-11-11



COLOR CHART				
FGS P/N	COLOR	SAE J595	CA T13	ECE R65
ED3706A	AMBER	CLASS 1	CLASS B	CLASS 1
ED3706AB	AMB/BLUE	N/A	N/A	N/A
ED3706AC	AMB/CLR	N/A	N/A	N/A
ED3706AG	AMB/GRN	N/A	N/A	N/A
ED3706AR	AMB/RED	N/A	N/A	N/A
ED3706B	BLUE	CLASS 1	CLASS B	CLASS1
ED3706C	CLEAR	CLASS1	N/A	N/A
ED3706G	GREEN	N/A	N/A	N/A
ED3706R	RED	CLASS 1	CLASS B	N/A
ED3706RB	RED/BLUE	N/A	N/A	N/A

SPECIFICATIONS

- CERTIFICATIONS: ECE R10; SAE J595 (NOV. 2008) (SEE CHART); IP67
 Note: Unique components, accessories, and hardware kits are not typically included in the Product Certification Test Protocols. Unless otherwise Specified, the Product Certifications referred to herein are predicated upon the base product model configuration.
- FLASH MODE: SINGLE : 75 ± 5 FLASHES PER MINUTE
 SINGLE : 120 ± 5 FLASHES PER MINUTE
 DOUBLE : 75 ± 5 FLASHES PER MINUTE
- VOLTAGE (NOMINAL): 12 to 24 VDC
- VOLTAGE (EXTREME): 9.0 to 32.0 VDC
- CURRENT (PEAK): 0.9A (@ 12 VDC NOMINAL)
- POWER (MAXIMUM): 10.8W (@ 12 VDC NOMINAL)
- TEMPERATURE RANGE: -22°F (-30°C) TO 122°F (50°C)
- CONNECTION: 4-22 AWG WIRES
- MOUNTING: 2-BOLT
- BASE MATERIAL: ALUMINUM
- LENS MATERIAL: POLYCARBONATE
- PRODUCT WEIGHT: 0.2 LBS (0.09 Kg)

NOTES:
 1. DIMENSIONS IN INCHES [MILLIMETERS (FOR REFERENCE)]

THIS DRAWING AND THE DESIGN IT DISCLOSES ARE THE PRIVATE PROPERTY OF ECCO AND IS ISSUED IN CONFIDENCE FOR ENGINEERING INFORMATION ONLY. THE DRAWING AND / OR DESIGN MAY NOT BE USED, COPIED, REPRODUCED, OR OTHERWISE DISCLOSED IN PART OR AS A WHOLE TO OUTSIDERS OR USED FOR ANY OTHER PURPOSE WITHOUT THE PRIOR WRITTEN CONSENT OF ECCO. THE DRAWING IS SUBJECT TO RECALL AT ANY TIME. YOUR POSSESSION OF THIS DOCUMENT CONSTITUTES ACCEPTANCE OF THESE TERMS. © 2013 ECCO

SCALE 1:1		APPROVALS	DATE
CAD GENERATED DRAWING DO NOT MANUALLY UPDATE. MODEL REFERENCED:07		DRAWN BY MDH	2014-11-06
TOLERANCES ARE IN INCHES, AND MILLIMETERS TOLERANCES ARE:		CHECKED SNS	2014-11-07
MILLIMETERS DECIMALS XX. ± 1.0mm XX.X ± 0.5mm	INCHES DECIMALS X.X ± 0.1 X.XX ± 0.04 X.XXX ± 0.02	MECH. ENG. JLA	2014-11-07
		ELEC. ENG. TJJ	2014-11-06
		TEST ENG. JRT	2014-11-07
		SALES. GLB	2014-11-10

THIRD ANGLE PROJECTION			
<p>Electronically Controlled Use Latest Copy</p>		<p>PROJECT: LM14213</p>	<p>DATE CREATED: 2014-05-27</p>

Electronic Controls Co. 833 West Diamond Street, Boise, ID 83705 800-635-5900 www.eccolink.com	
6 LED, HEAD, MULTIMOUNT, 12-24V	
CUSTOMER PART NO. SEE CHART	PRODUCT SERIES: ED3706
SIZE: B	DWG. NO. ED3706X
SHEET 1 OF 1	REV. A