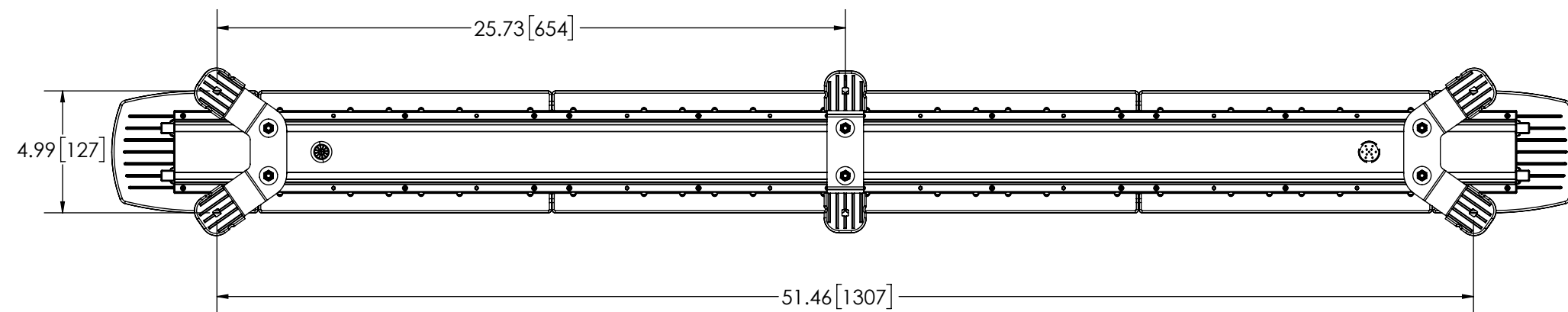
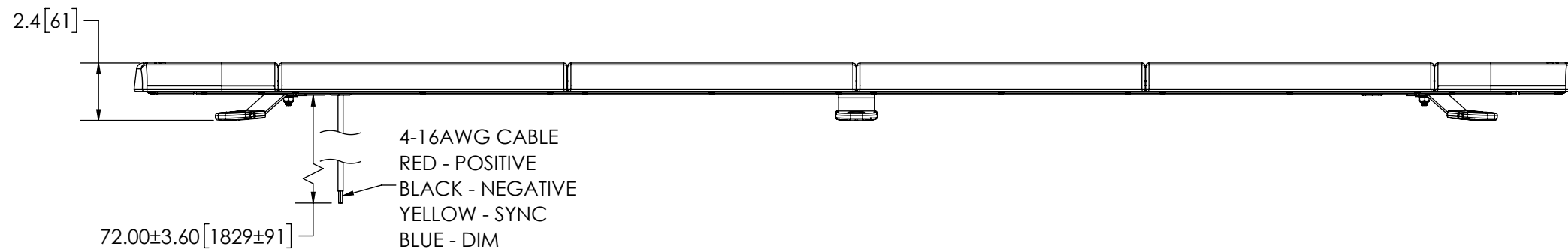
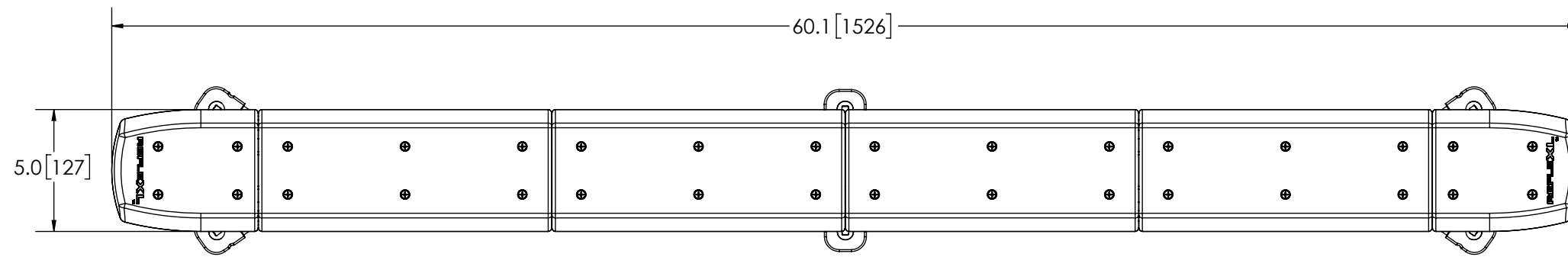


REVISION HISTORY		
REV.	DESCRIPTION	DATE
01	PRELIMINARY RELEASE PER EP0184	2023-07-18
A	INITIAL RELEASE PER EP0184	2023-07-24




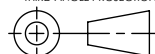
SPECIFICATIONS

- CERTIFICATIONS: **CE**; ECE R10; SAE J845 (FEB 2019) CLASS 1A; YELLOW CA Title 13 CLASS E, AMBER; IP69K
 Note: Unique components, accessories, and hardware kits are not typically included in the Product Certification Test Protocols. Unless otherwise Specified, the Product Certifications referred to herein are predicated upon the base product model configuration.
- FLASH MODE: SINGLE : 75 ± 5 FLASHES PER MINUTE
 SINGLE : 120 ± 5 FLASHES PER MINUTE
 DOUBLE : 75 ± 5 FLASHES PER MINUTE
- VOLTAGE (NOMINAL): 12 - 24 VDC
- VOLTAGE (EXTREME): 9.0-32.0 VDC
- CURRENT (PEAK): 7.73A (@ 12 VDC NOMINAL)
- POWER (MAXIMUM): 98.9W (@ 12 VDC NOMINAL)
- TEMPERATURE RANGE: -40°F (-40°C) TO 158°F (70°C)
- CONNECTION: 5 - 16 AWG CONDUCTOR CABLE
- MOUNTING: 6 BOLT MOUNT KIT
- BASE MATERIAL: ALUMINUM
- LENS MATERIAL: POLYCARBONATE, CLEAR
- PRODUCT WEIGHT: 12.85 LBS (5.82 Kg)

- NOTES:
- ROHS COMPLIANT
 - DIMENSIONS IN INCHES[MILLIMETERS (FOR REFERENCE)]

PROPRIETARY AND CONFIDENTIAL INFORMATION

THIS DRAWING AND THE DESIGN AND OTHER INFORMATION DISCLOSED HEREIN ARE THE PROPERTY OF ELECTRONIC CONTROLS COMPANY AND/OR ITS ECCO SAFETY GROUP AFFILIATES ("ECCO") AND IS ISSUED IN CONFIDENCE TO RECIPIENT FOR ENGINEERING INFORMATION PURPOSES ONLY. THIS DRAWING AND THE DESIGN AND OTHER INFORMATION DISCLOSED HEREIN MAY NOT BE USED, COPIED, REPRODUCED OR OTHERWISE DISCLOSED IN PART OR IN WHOLE TO THIRD PARTIES OR USED FOR ANY OTHER PURPOSE WITHOUT PRIOR ECCO WRITTEN CONSENT. ECCO RESERVES ALL PATENT, COPYRIGHT, TRADEMARK AND OTHER PROPRIETARY RIGHTS TO THIS DOCUMENT, INCLUDING ALL DESIGN, MANUFACTURING, REPRODUCTION, USE AND SALES RIGHTS THEREIN. THIS DRAWING IS SUBJECT TO RECALL BY ECCO AT ANY TIME, AND YOUR POSSESSION AND/OR USE CONSTITUTES ACCEPTANCE OF THESE TERMS. ©2023 ELECTRONIC CONTROLS COMPANY

SCALE 1:6	APPROVALS	DATE	 ECCO ® www.eccolink.com Americas (800) 635-5900 Europe +44 (0)113 237 5340 Asia Pacific +61 (0)3 63322444
CAD GENERATED DRAWING DO NOT MANUALLY UPDATE.	DRAWN BY BTK	2023-07-18	
TOLERANCES ARE IN INCHES, AND MILLIMETERS TOLERANCES UNLESS OTHERWISE STATED ARE:	CHECKED		
MILLIMETERS DECIMALS XX. ± 1.0mm XX.X ± 0.5mm	MECH. ENG. JLA	2023-07-19	
INCHES DECIMALS X.X ± 0.1 X.XX ± 0.04 X.XXX ± 0.02	ELEC. ENG. SPO	2023-07-21	
ANGLES ± 0.5°	TEST ENG. JRT	2023-07-20	
FRACTIONS ± 1/64	SALES		
THIRD ANGLE PROJECTION			
			
Electronically Controlled Use Latest Copy			REFLEX XL,60",CLR LENS,AMB,DISCRETE WIRE CUSTOMER PART NO. 11-060CA-E
SIZE: B	DWG. NO. 11-060CA-E	REV. A	
SHEET 1 OF 1	Project: EP0184	Date Created: 2023-07-18	