



WORKLIGHTS

EW2030R

Arc Boundary Line



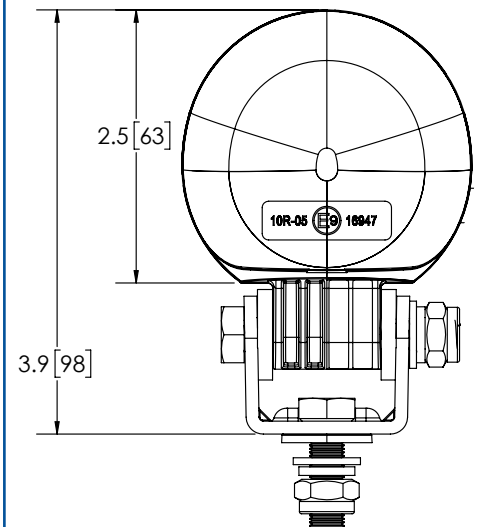
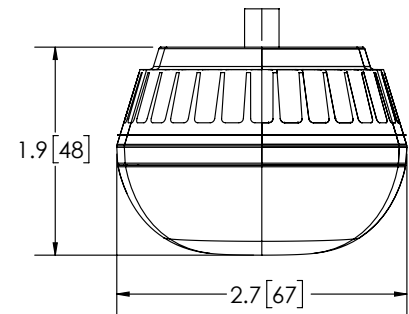
The EW2030R Arc Boundary Line is designed for material handling applications to provide a visual warning on mobile equipment. This LED device provides 180° of coverage by projecting a red boundary arced around the vehicle. This additional safety feature is especially useful when operating in confined spaces and near blind corners (e.g. warehouse racking). Featuring a 12-80 VDC operation, a stainless-steel mounting bracket and PMMA acrylic lens, the EW2030R is extremely resistant to impacts and vibration.

Models

PART NO.	VDC	LENS COLOUR	LED COLOUR	LUMENS	AMPS	WATTS
EW2030R	12-80	Clear	■	103	1.04	13.3

Features and Benefits

- Arc beam up to 180°
- Convex PMMA acrylic lens
- Highly efficient one 6-watt LED
- Crisp arc boundary line
- 30.5cm cable length
- Stainless steel mounting bracket
- Temperature Range: -40°C to +70°C (-40°F to +158°F)
- Works well with EW2010 Series Arrow, EW2015R Series, EW2025R Boundary or EW2002B Spot



T: 1800 815 000 | E: aftermarket@esg.global