



DIRECTIONALS

ED3794 UltraFlex™ Series

Dual-Colour Flexible LED Light



ECCO's UltraFlex is a versatile directional warning light that can be mounted on flat or curved surfaces up to 120° with self-adhesive, very high bond tape. Its 12 dual-colour LEDs provide exceptional output with combinations of amber and white colour available. The light heads are protected in a clear, silicone housing that can flex while resisting yellowing and warping. A two-bolt bezel is also included for easy installation on flat surfaces.

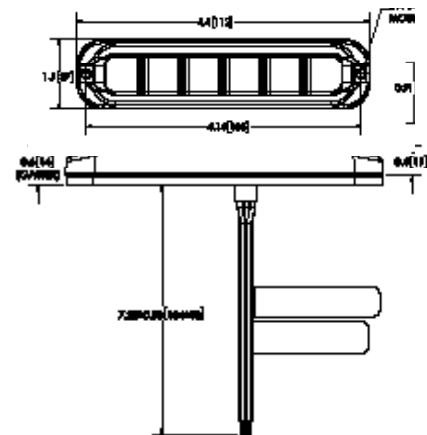
Models

PART NO.	LED COLOUR	AMPS
ED3794AW		0.8

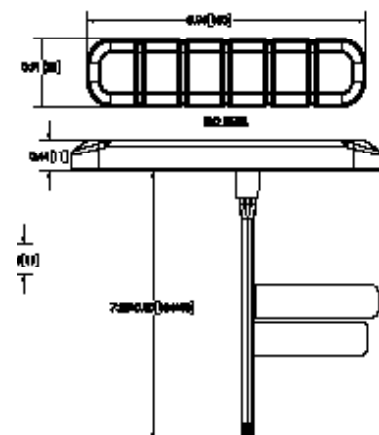
Features and Benefits

- 12-24 VDC
- 69 flash patterns including steady burn
- Flexible housing adapts to curved surfaces up to 120°
- Silicone lens with Dow Corning material, prevents yellowing or aging
- Included bezel for two-bolt mount on flat surfaces or VHB tape mount
- Sync-capable
- Temperature range: -30°C to 50°C (-22°F to 122°F)

Bezel



No Bezel



T: 1800 025 921 | E: aftermarket@esg.global