



## DIRECTIONAL LEDs



### 3811 / 3861 SERIES

#### SAE Class I Surface / Grommet Mount

3811 and 3861 Series directional LEDs feature 20 high intensity LEDs with individual reflectors to provide truly outstanding light output in a very cost-effective package. Featuring seven flash patterns and synchronization capability, they are available in either surface or grommet mount configurations, offering fit-and-forget maintenance-free operation and low amp draw.

#### Models

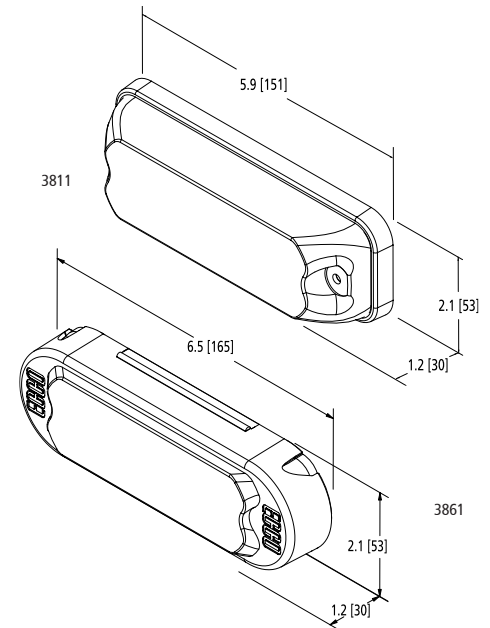
PART NO.	VOLTAGE	AMPS	MOUNT
3811X	12-24	0.4	Surface
3861X	12-24	0.4	Grommet

Replace X in part number with desired color: A=amber, B=blue, C=clear, R=red

#### Features and Benefits

- Tough, clear polycarbonate housing with encapsulated electronics
- Seven flash patterns
- Synchronizable with additional 3811/3861
- Discrete units are colorless when not illuminated
- Grommet mount versions fit standard oval rear lighting grommet
- Temperature Range: -22°F to +122°F (-30°C to +50°C)

#### Accessories



#### Flash Patterns (7)

- Single
- Double
- Quad
- NFPA Quad
- Fast Single
- Fast Double
- Fast Quad