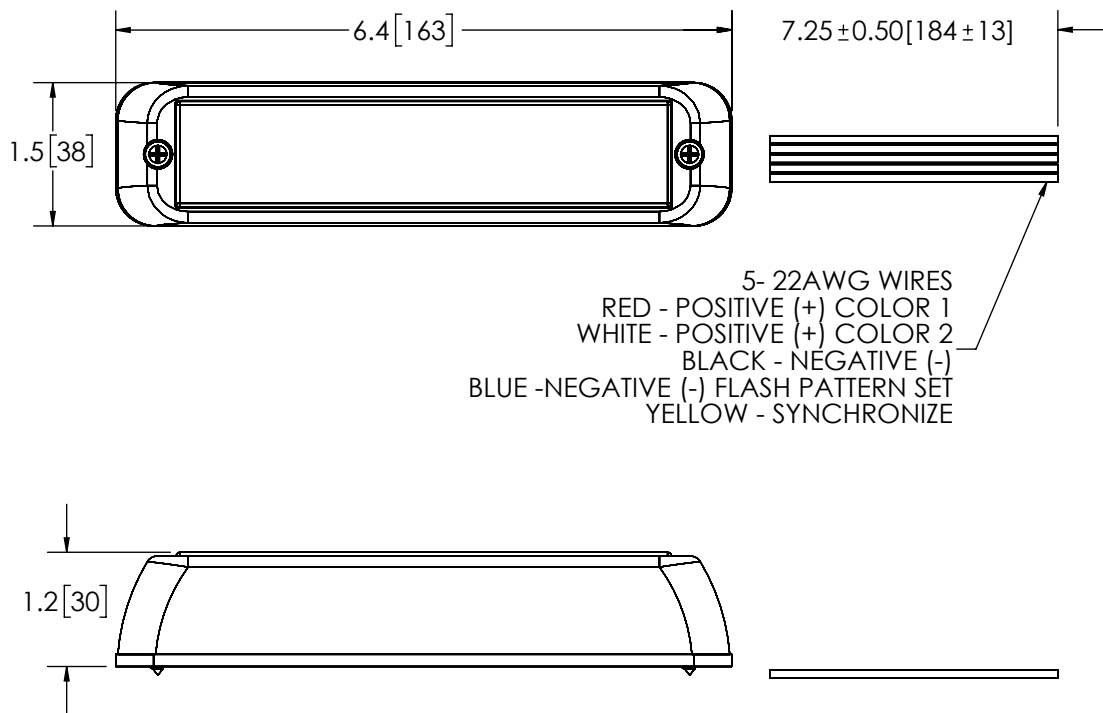


REVISION HISTORY		
REV.	DESCRIPTION	DATE
B	REVISE PER EC3679	2014-09-16
C	REVISE PER EC3679	2016-04-19
D	REVISE PER HC0423	2017-01-23




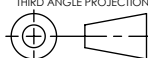
## SPECIFICATIONS

- CERTIFICATIONS: **CE**; ECE R10; IP67; SEE CHART  
 Note: Unique components, accessories, and hardware kits are not typically Included in the Product Certification Test Protocols. Unless otherwise Specified, the Product Certifications referred to herein are predicated upon the base product model configuration.
- FLASH MODE: SINGLE : 75 ± 5 FLASHES PER MINUTE  
 DOUBLE : 75 ± 5 FLASHES PER MINUTE  
 DOUBLE FAST : 120 ± 5 FLASHES PER MINUTE
- VOLTAGE (NOMINAL): 12 to 24 VDC
- VOLTAGE (EXTREME): 9.0 to 32 VDC
- CURRENT (PEAK): 0.75A (@ 12 VDC NOMINAL)
- POWER (MAXIMUM): 9.6W (@ 12 VDC NOMINAL)
- TEMPERATURE RANGE: -22°F (-30°C) TO 122°F (50°C)
- CONNECTION: 5-22 AWG WIRES
- MOUNTING: FLUSH
- BASE MATERIAL: ALUMINUM
- LENS MATERIAL: POLYCARBONATE
- PRODUCT WEIGHT: 0.4 LBS (0.18 Kg)

FGS PRODUCT CHART

FGS. NO.	COLOR	CURRENT (PEAK)	POWER (MAX)	SAE J595	ECE R65	CA TITLE 13
ED3766AB	AMB/BLUE	0.75	9.6	CLASS1	YELLOW/BLUE	CLASS B YELLOW, BLUE
ED3766AC	AMB/CLR	0.77	9.9	CLASS1	YELLOW	CLASS B YELLOW
ED3766AG	AMB/GRN	0.75	9.6	CLASS1	YELLOW	CLASS B YELLOW
ED3766AR	AMB/RED	0.75	9.6	CLASS1	YELLOW	CLASS B YELLOW, RED
ED3766RB	RED/BLUE	0.71	9.1	CLASS1	BLUE	CLASS B RED, BLUE

NOTES:  
 1. DIMENSIONS IN INCHES[MILLIMETERS (FOR REFERENCE)]

SCALE 1:2		APPROVALS	DATE	 www.eccolink.com Americas (800) 635-5900   Europe +44 (0)113 237 5340   Asia Pacific +61 (0)3 63322444	
CAD GENERATED DRAWING DO NOT MANUALLY UPDATE. MODEL REFERENCED:A		DRAWN BY ABB	2016-12-23		
TOLERANCES ARE IN INCHES, AND MILLIMETERS TOLERANCES UNLESS OTHERWISE STATED ARE:		CHECKED ABB	2016-12-27		
MECH. ENG.					
MILLIMETERS DECIMALS XX. ± 1.0mm XX.X ± 0.5mm	INCHES DECIMALS X.X ± 0.1 X.XX ± 0.04 X.XXX ± 0.02	ANGLES ± 0.5°	ELEC. ENG.	<b>12 LED, SURFACE MOUNT, 12-24V</b> CUSTOMER PART NO. <b>ED3766</b>	
		FRACTIONS ± 1/64	TEST ENG. JRT		PRODUCT SERIES: ED3766
			SALES. GLB		2016-12-28
THIRD ANGLE PROJECTION				SIZE: A	
NON DISCLOSURE AGREEMENT		Electronically Controlled Use Latest Copy		DWG. NO. ED3766XX	
THIS DRAWING AND THE DESIGN IT DISCLOSES ARE THE PRIVATE PROPERTY OF ESG AND IS ISSUED IN CONFIDENCE FOR ENGINEERING INFORMATION ONLY. THE DRAWING AND / OR DESIGN MAY NOT BE USED, COPIED, REPRODUCED, OR OTHERWISE DISCLOSED IN PART OR AS A WHOLE TO OUTSIDERS OR USED FOR ANY OTHER PURPOSE WITHOUT THE PRIOR WRITTEN CONSENT OF ESG. THE DRAWING IS SUBJECT TO RECALL AT ANY TIME. YOUR POSSESSION OF THIS DOCUMENT CONSTITUTES ACCEPTANCE OF THESE TERMS. © 2013 ECCO		SHEET 1 OF 1		Project: LM13212	
		Date Created: 2013-11-22		REV. D	