



# BACK-UP ALARMS



## 800 SERIES

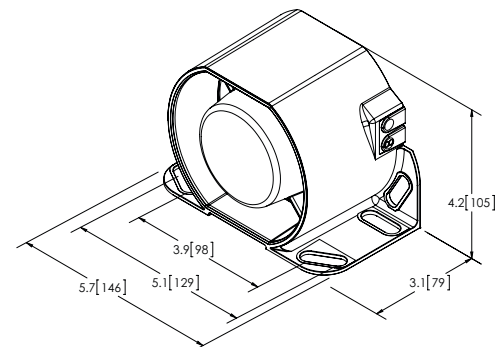
Designed to meet all the harsh operational requirements of any fleets equipment, ECCO's 800 Series alarms feature a reverse-mounted speaker design and reinforced nylon housing providing unrivaled durability. These alarms are so robust that an ECCOLIFE™ warranty covering the alarm for the life of the vehicle is offered on all models. Smart Alarm® models measure ambient noise and adjust their sound level, creating a volume that is safe without being annoying or contributing to noise pollution. Smart Alarms eliminate the need for constant manual adjustment and help prevent intentional alarm disconnection.

### Models

PART NO.	TYPE	VOLTAGE	dB(A)	AMPS	APPROVALS
SA907N	Smart	12-24	82-107	0.5	CE, R10, UL, IP64
SA917N	Smart	12-24	87-112	1.5	SAE Type F, CE, R10
830N	-	12-36	107	1.1	SAE Type B, CE, R10, AMECA
840N	-	12-36	97/112	1.4	CE, R10, IP65
850N	-	12-36	112	1.3	SAE Type A, CE, R10, UL, AMECA

### Features and Benefits

- Reverse mounted speaker enhances sound and protects the speaker from dust and moisture ingress
- Reinforced nylon housing eliminates corrosion damage
- Sealed in epoxy for protection against dust, moisture and vibration
- Steam cleanable and pressure washable
- Temperature Range: -40°F to +185°F (-40°C to +85°C)



### Alarm Specifications

Connection: 16 AWG blunt cut wires  
 Reinforced nylon housing  
 Recommended mounting bolt:  
     Bottom: 3/8-16 UNC Grade 5 or better  
     Back: 5/16-18 UNC Grade 5 or better  
 Recommended washer:  
     Bottom: 3/8" Type A Series N washer  
     Back: 5/16" Type A Series N washer  
 Recommended mounting torque:  
     Bottom: 276 in. lbs.  
     Back: 156 in. lbs.