

UNTHA

The reliable brand!



PS1300

Single shaft shredder for wood pallets

POWERFUL PALLET SHREDDER

The PS1300 is a powerful, reliable, and compact wood pallet shredder designed to minimise your pallet scrap and reduce your disposal costs by up to 75%.

The low speed, single shaft machine safely and efficiently shreds up to 30 pallets per hour. With customers achieving a 4:1 volume reduction rate, benefits include:

- Tidier sites
- Optimised waste collections
- Production of a 30mm natural mulch or biomass fuel
- Rapid financial savings – in fact, the PS1300 could pay for itself in as little as 12 months.

Utilising more than 50 years of shredding expertise, the PS1300 includes a number of robust design features to achieve operational simplicity with maximum performance.

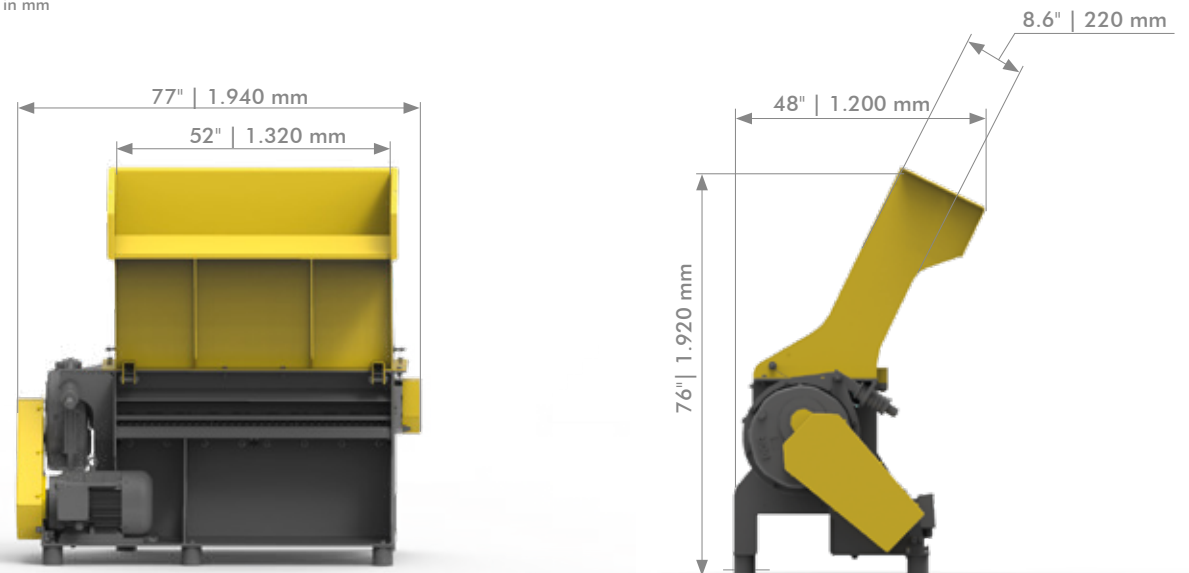
Interested in a demonstration or shred test?
Talk to us!

PS1300

Single shaft cutting system

SPECIFICATIONS	US	METRIC
Power	24 hp	18.5 kW
Rotor Ø	11,8"	300 mm
Rotor speed at 60 Hz	60 rpm	60 rpm
Number of cutters	36 pcs.	36 pcs.
Feed opening	52" x 8.6"	1,320 x 220 mm
Weight	approx. 4,190 lbs	1,000 kg
Noise level pressure LPA1m	82 dB (A)	82 dB (A)
Screen diameter	1¼" with chip breakers	30 mm with chip breakers

All dimensions in mm



Small footprint, big potential.
A complete solution for shredding pallets in a single pass.

QUALITY DESIGN FEATURES

Rugged and efficient cutting system

- » large 11.8" (300 mm) diameter rotor and large screen area for high throughput
- » 1-way indexable rotor knives (A)
- » knife holders are bolted in place for easy replacement
- » efficient self-feeding
- » tried, tested, and proven UNTHA cutting system

Pusher-free design (B)

- » self-feeding design pulls pallets automatically into the cutting chamber, for ease of use
- » no hydraulics required
- » less maintenance

Trouble-free drive system (C)

- » rugged and powerful shredder drive
- » gearbox shock damping system
- » foreign object protection for maximum uptime and output quality - nails and screws are no problem

Smart shredder control functions

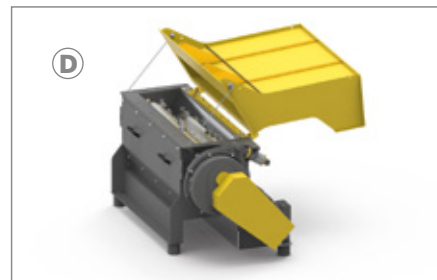
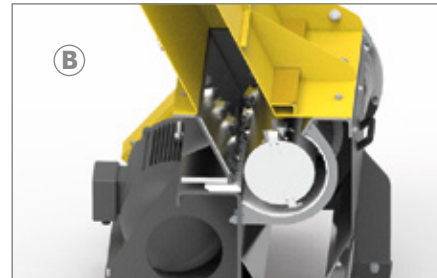
- » automatic detection and shut down for unshreddables
- » automatic reversing if motor overloads
- » operator friendly controls
- » automatic shut down when idling

Ease of maintenance (D)

- » quick and easy access to the cutting system
- » easy cleaning and removal of unshreddable items
- » fast rotor knife and knife holder change

Options

- » various screen sizes
- » discharge conveyors
- » ferrous separation with magnetic head pulley
- » available as semi-mobile version



UNTHA shredding technology GmbH

Kellau 141
5431 Kuchl | Österreich
Tel.: +43 6244 7016 0
Fax: +43 6244 7016 1
info@untha.com
www.untha.com

UNTHA Deutschland GmbH

Am Hammersteig 5a
97753 Karlstadt | Deutschland
Tel.: +49 9353 906869-0
Fax: +49 9353 906869-35
info@untha.de
www.untha.de

UNTHA UK Ltd.

Excel House, Becklands Close
Boroughbridge
YO51 9NR | United Kingdom
Tel.: +44 330 056 4455
sales@untha.co.uk
www.untha.co.uk

UNTHA America, Inc.

1 Lafayette Road, Building 4
Hampton, NH 03842 | USA
Tel.: +1 603 601 2304
Fax: +1 603 601 7573
info@untha-america.com
www.untha-america.com

UNTHA Polska Sp. z o.o.

Olecka 23/221
04-980 Warszawa | Polska
Tel.: +48 12 6421896
info@untha.pl
www.untha.pl

UNTHA Ibérica S.A.

Lugar Queirúa, s/n 15680 Ordes
La Coruña | España
Tel.: +34 981 69 10 54
Fax: +34 981 69 08 78
info@untha-iberica.com
www.untha.es

UNTHA Türkiye Makina Sanayi ve Ticaret Limited Şirketi

Barbaros Mah. Kardelen Sok.
Palladium Tower No:2/114 K:32
34746 Ataşehir | İstanbul | Türkiye
Tel.: +90 216 687 2991
info.tuerkiye@untha.com
www.untha.com/turkiye

5 reasons to choose UNTHA



Customised, long-lasting shredding solutions



Premium products developed and produced in Austria



All-encompassing expertise, from development to production, under one roof



Reliable customer service with the best technical know-how



More than 10,000 satisfied reference customers worldwide

We deliver what we promise

Since our founding in 1970, we've followed our promise of being "the reliable brand", which applies to every product and service that UNTHA delivers.

We work hard to consistently outperform our competitors, and provide customers with the confidence that – in choosing UNTHA – they have made the best decision for their business.

All revisions reserved. Subject to setting and printing errors.
All illustrations are representative and may deviate from the actual product.
© 02/25 UNTHA shredding technology