

UNTHA

The reliable brand!

ADVANCED
GENERATION



RS CLASS

30 | 40

4-shaft shredder for universal recycling applications



4-shaft shredding technology

Over 50 years of know-how and constant innovation

UNTHA is the pioneer of 4-shaft shredding technology, and has been contributing to the economical and ecological utilisation of many different types of 'waste' materials, for over 50 years. But with this rich heritage comes continued innovation – engineering advancements that never stop. Working closely with customers to gather insights from our many global markets, UNTHA's R&D team consistently introduces progressive performance features that break new boundaries.

The result: more strength, more versatility, more uptime, more efficiencies, more potential. The world class RS range. Premium quality, manufactured in Austria, trusted globally.

Suitable for

- » Automobile interior linings
- » Car bumpers
- » Cardboard/cardboard tubes
- » Confidential waste/banknotes
- » Dashboards
- » Files
- » Foamboard
- » Foils
- » Green waste
- » Hard drives
- » Leather
- » Medical waste
- » Metal shavings
- » Organic waste
- » Packaging
- » Paper
- » Plastic barrels/bottles
- » Plastic containers
- » Production waste
- » Punching scrap
- » Rubber waste
- » Tetra Paks
- » Textiles
- » Waste wood
- » and much more

The tried-and-tested UNTHA 4-shaft cutting system

4-shaft cutting system:

The tried-and-tested, patented 4-shaft cutting system was developed specifically for tough challenges. The cutting discs are resistant to non-shreddables, were designed for intense, continuous operation and are particularly economical due to their long service life.

Individually adaptable

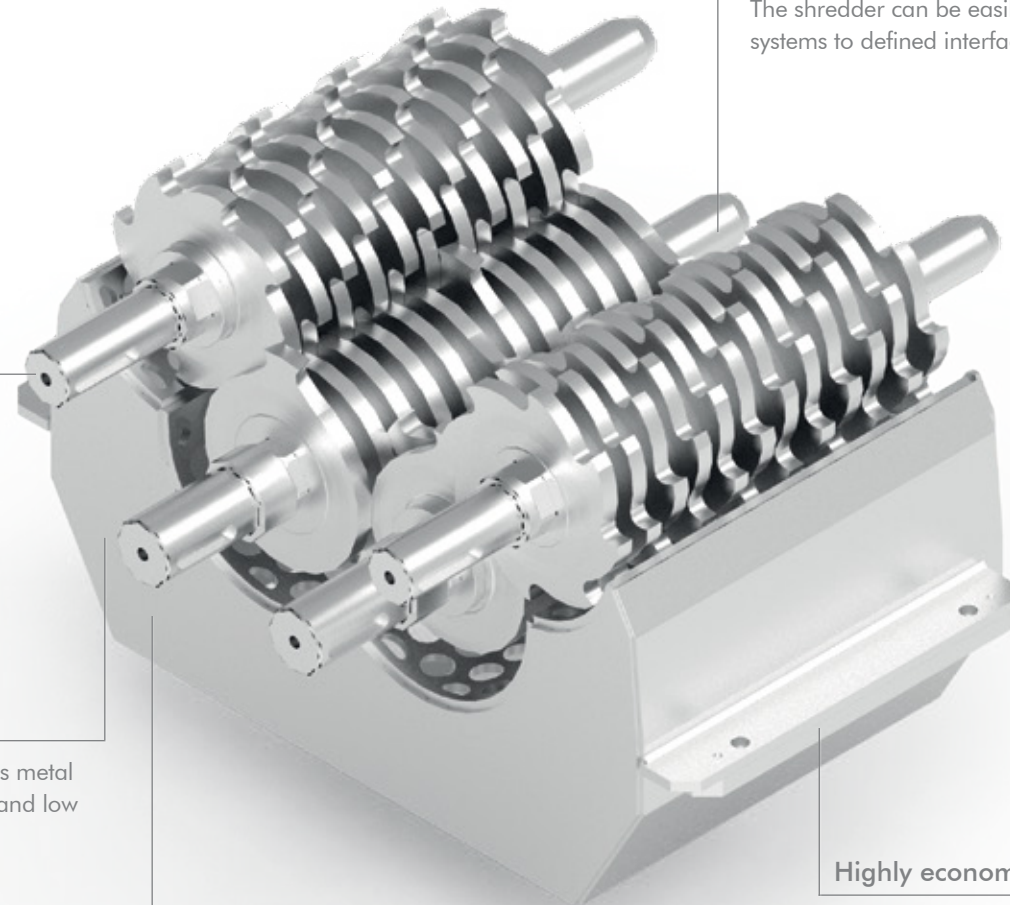
The cutting system can be customised to the input material and granulate requirements

Slow-running cutting system

The cutting system is particularly resistant towards metal non-shreddables and stands out for its low dust and low noise production.

Compact design

The shredder can be easily integrated into existing systems to defined interfaces.



Low-wear screen

The screen ensures a defined fraction size and is easy to exchange thanks to the quick-change screen system.

Highly economical

The cutting system has a long service life. At the end of their lifetime, the cutting discs can be reconditioned at the UNTHA Service Competence Center.

Your benefits at a glance



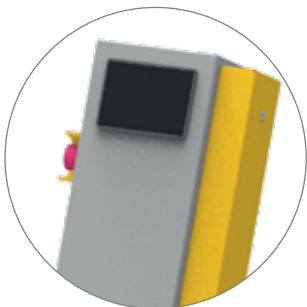
Economical cutting system

The material is pulled in by the cutting system, eliminating the need for a ram device. The four-shaft cutting system ensures a high torque, has a long service life and is highly resistant towards non-shreddables. The low speed keeps noise and dust production to a minimum. Thanks to the wide range of cutting units available, the shredding machine can be customised to meet individual customer requirements, for maximum flexibility.



UNTHA direct drive system

A staggered start-up of the two motors reduces current and power peaks. The simple design of the motor unit (pinion motor - bearing unit - gearbox) reduces susceptibility to faults and minimises maintenance costs.



User-friendly display

The shredder's settings can be optimally adjusted to the respective material using the intuitive 5-inch colour display. It also helps to quickly analyse and rectify faults and provides an overview of the shredder's entire maintenance history.



Long machine lifespan

Easily replaceable wear elements in the cutting chamber extend the service life of the shredder. The maintenance-free mechanical seals prevent dust and dirt from entering gears and bearings. The torsion-resistant steel frame construction provides a stable, low-vibration base. The functional design protects the machine components from dirt.

Electronic protection systems

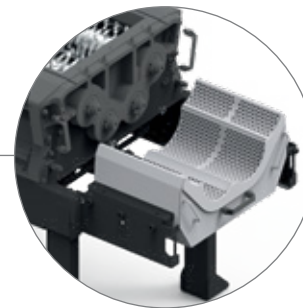
The automatic detection and switch-off of impurities and an automatic reversing function protects the drive unit from damage in the event of motor overload. An automatic switch-off switches the machine off when idling and ensures low energy costs.

Highly user- and maintenance-friendly

An integrated quick-change screen system maximises operational uptime.

Defined fraction size

Depending on the requirements, a range of screens ensures the production of pre-defined fractions. The large screen area achieves high throughput rates. An integrated quick-change screen system makes the screen easy and quick to exchange.



Sample image RS30/40

Options

Mechanical extras

- » Tech Pack: mechanical sealing of the bearings on the locating and non-locating bearing, Wear plates on the locating and nonlocating bearing, electrical oil level monitoring
- » Automated central lubrication system
- » Dyn. SW preload incl. shaft ventilation
- » Motor covers incl. LED status display

Electrical extras

- » Frequency converter for stepless speed adjustment to reduce current peaks
- » Control system upgrade: light barrier, superordinate control system, BUS system
- » Integration of on-site peripheral devices into the control system
- » Automatic start

Accessories

- » Hydraulic ram system
- » Customer-specific feed hoppers and machine frame
- » Range of discharge feed systems
- » Suction hood with or without screw conveyor
- » Bolted machine frame

Services

- » UNTHA Carefree Packages Basic, Comfort, Professional ensure that shredders are technically sound and ready for use at all times

MyUNTHA customer portal

- » The MyUNTHA digital customer portal contains all relevant information about the shredder as well as services and assistance

UNTHA test centre & live demos

The UNTHA headquarters in Kuchl/Austria has a state-of-the-art test centre where experiments are carried out with different materials and according to customer-specific requirements. These enable us to always find the right shredding solution for every project, and customers are welcome to attend these test runs. There is also the opportunity to experience UNTHA shredders live in operation. Depending on requirements and availability, reference sites can be visited or shredders can be tested in your own company, globally.

Contact us – together we will find the perfect solution for you.

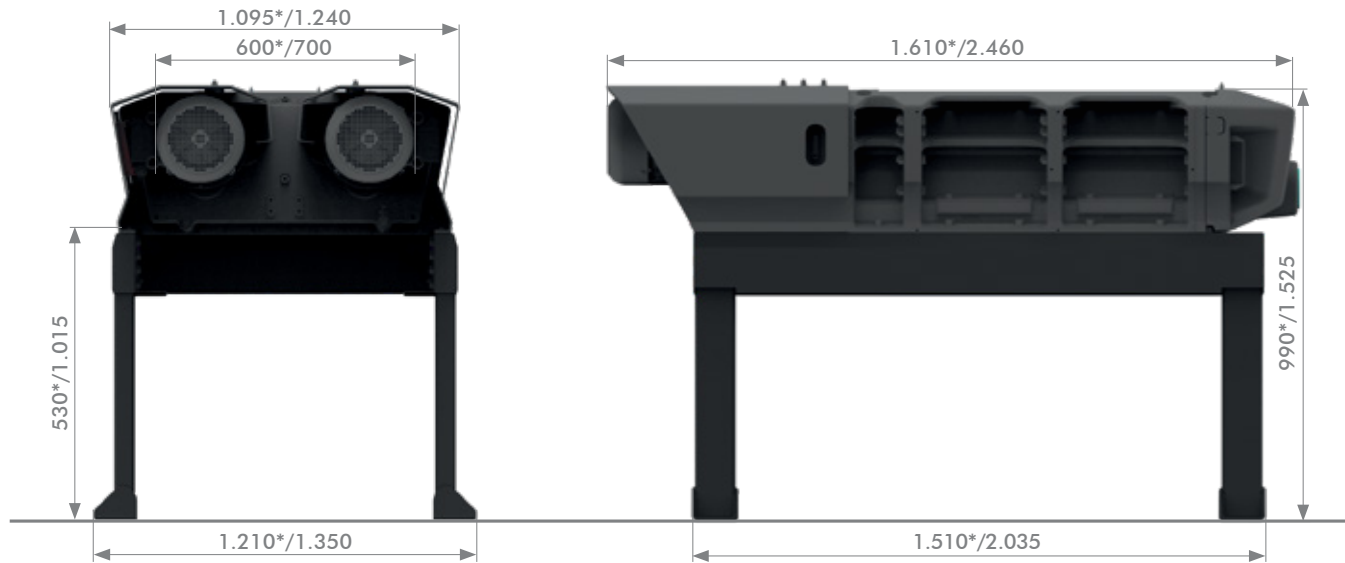


shredding technology



RS30/40

4-shaft shredding system



| TECHNICAL DATA | | RS30* | RS40 |
|-------------------------------|-----|---------------|---------------------|
| Rated capacity | kW | 11/15/22 | 30/37/44 |
| Cutter clearance | mm | 450 x 600 | 750/1.000 x 700 |
| Number of shafts | pcs | 4 | 4 |
| Speed of the main shafts | rpm | 23 | 24 |
| Speed of the secondary shafts | rpm | 34 | 32 |
| Ø perforated screen | mm | 15 - 40 | 15 - 40 |
| Weight | kg | approx. 2.000 | approx. 3.300/3.600 |

All dimensions in mm

UNTHA shredding technology GmbH

Kellau 141
5431 Kuchl | Österreich
Tel.: +43 6244 7016 0
Fax: +43 6244 7016 1
info@untha.com
www.untha.com

UNTHA Deutschland GmbH

Am Hammersteig 5a
97753 Karlstadt | Deutschland
Tel.: +49 9353 906869-0
Fax: +49 9353 906869-35
info@untha.de
www.untha.de

UNTHA UK Ltd.

Excel House, Becklands Close
Boroughbridge
YO51 9NR | United Kingdom
Tel.: +44 330 056 4455
sales@untha.co.uk
www.untha.co.uk

UNTHA America, Inc.

1 Lafayette Road, Building 4
Hampton, NH 03842 | USA
Tel.: +1 603 601 2304
Fax: +1 603 601 7573
info@untha-america.com
www.untha-america.com

UNTHA Polska Sp. z o.o.

Olecka 23/221
04-980 Warszawa | Polska
Tel.: +48 12 6421896
info@untha.pl
www.untha.pl

UNTHA Ibérica S.A.

Lugar Queirúa, s/n 15680 Ordes
La Coruña | España
Tel.: +34 981 69 10 54
Fax: +34 981 69 08 78
info@untha-iberica.com
www.untha.es

UNTHA Türkiye Makina Sanayi ve Ticaret Limited Şirketi

Barbaros Mah. Kardelen Sok.
Palladium Tower No:2/114 K:32
34746 Ataşehir | İstanbul | Türkiye
Tel.: +90 216 687 2991
info.tuerkiye@untha.com
www.untha.com/turkiye

5 reasons to choose UNTHA



Customised, long-lasting shredding solutions



Premium products developed and produced in Austria



All-encompassing expertise, from development to production, under one roof



Reliable customer service with the best technical know-how



More than 10,000 satisfied reference customers worldwide

We deliver what we promise

Since our founding in 1970, we've followed our promise of being "the reliable brand", which applies to every product and service that UNTHA delivers.

We work hard to consistently outperform our competitors, and provide customers with the confidence that – in choosing UNTHA – they have made the best decision for their business.

All revisions reserved. Subject to setting and printing errors.
All illustrations are representative and may deviate from the actual product.
© 04/24 UNTHA shredding technology