

REFLECTIVE SAFETY TAGS



Reflect Fabrics specialises in creating products for a constantly changing industry. From concept & design to creation. Designed to your specifications and requirements. All Tags are Class 1W Reflective

EMERGENCY STOP PULL TAGS



Emergency Stop Pull Tags

Complaint to AS1755-2000 Clause 2.9.4

Class 1W Reflective Emergency Pull Tags, designed for conveyor lanyard switches and pull wires.

Reinforced vinyl inserts along with 4x size 4 brass eyelets, fuse welded finish with 2 sided message.

PRODUCT CODE **EMPTC**



| Code | Size | Description | Message |
|--------|--------------|---------------------------------------|-------------------------|
| EMPTC | 50mm x 260mm | Reflective Emergency Rip Tag | EMERGENCY STOP PULLWIRE |
| EMPTCC | 50mm x 260mm | Reflective Emergency Rip Tag - CUSTOM | * |

*Select your message

EMERGENCY STOP PULL TAGS multi view



PRODUCT CODE **EMPTNC**

MULTI VIEW DOUBLE WELDED EYELET



Emergency Stop Pull Tags MULTI VIEW

This is a non complaint Emergency Pull Device. Cost effect, double sided visual device only.

Class 1W Reflective Emergency Pull Tags, designed for conveyor lanyard switches and pull wires as a visual sign.

Non reinforced vinyl with a fuse welded finish, with 2 punched welded eyelets for a multi view display.

| Code | Size | Description | Message |
|---------|--------------|---|-------------------------|
| EMPTNC | 50mm x 280mm | Reflective Emergency Pull Tag Multi View | EMERGENCY STOP PULLWIRE |
| EMPTNCC | 50mm x 280mm | Reflective Emergency Pull Tag Multi View - CUSTOM | * |

*Select your message





REFLECTIVE TAGS



Reflective tags

Available in Blank, Danger, Warning or Custom messages. Class 1W Reflective Safety tags ideal for delineation of conveyor belts and for machinery operation service and maintenance. Choose from a metal eyelet, welded hole or a slit insert.

1 Choose one of our signs below or create your own

Custom Messages & Sizes Available

POPULAR DOUBLE SIDED OPTIONS



POPULAR SINGLE SIDED OPTIONS



2 Choose a Size

| | order code |
|--------------------|------------|
| 50mm x 105mm drop | 515 |
| 100mm x 200mm drop | 1020 |
| 120mm x 250mm drop | 1225 |
| 100mm x 250mm drop | 1025 |

3 Choose a Finishing Option



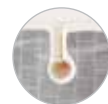
EYELET

order code **E**



WELDED HOLE

order code **WH**



SLIT INSERT

order code **SI**



SINGLE SIDED



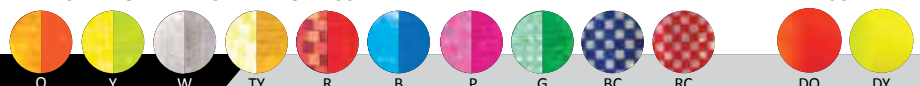
DOUBLE SIDED

| Code | Size | Description | Sign | Finish |
|------|------|-----------------------------------|------|--------|
| RTS | * | SINGLE SIDED Reflective Cable Tag | * | * |

| Code | Size | Description | Sign | Finish |
|------|------|-----------------------------------|------|--------|
| RTD | * | DOUBLE SIDED Reflective Cable Tag | * | * |

Choose your single or double sided tag code *Select your Size *Select your chosen sign *Select your Finish

EXAMPLE - RTS 515 H E



BLANK REFLECTIVE TAGS

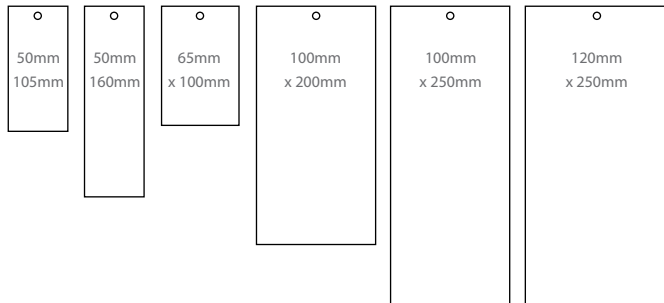
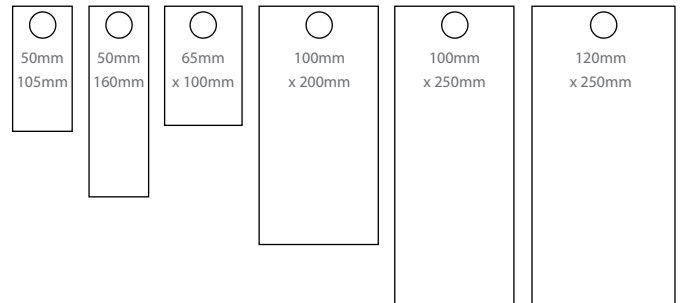
Blank Reflective tags

Class 1W Reflective Safety tags ideal for double sided coloured delineation. Choice of a 6mm or 22mm welded hole (no metal)

Choose a colour below or use your custom colours.

PRODUCT CODE **CTB**

Ask for your **FREE** sample

6mm Welded Hole

22mm Welded Hole


Custom & Sizes Available

Size Options

| | order code |
|---------------------------|-------------|
| 50mm x 105mm drop | 5105 |
| 50mm x 160mm drop | 5016 |
| 65mm x 100mm drop | 6510 |
| 100mm x 200mm drop | 1020 |
| 100mm x 250mm drop | 1025 |
| 120mm x 250mm drop | 1225 |

Finishing Options


6mm WELDED HOLE
order code **WH6**



22mm WELDED HOLE
order code **WH22**



DOUBLE SIDED

| Code | Size | Description | Colour Side1 | Colour Side2 | Finish |
|------|------|--|--------------|--------------|--------|
| CTB | * | BLANK Reflective Cable Tag - 1 colour | * | NA | * |
| CTB | * | BLANK Reflective Cable Tag - 2 colours | * | * | * |

*Select colour/s *Select Size *Select Finish





WHEEL RETENSION TAGS



Wheel Retention Tags

Class 1W Reflective Wheel Retention Tags can be customised to your desired requirements. Highly visible for accountability and traceability. Complete with small SPO eyelet for affixing.

PRODUCT CODE **WRT**

Finishing Options



BLANK



PRINTED



| Code | Size (h x DIA) | Description | Colour |
|----------|----------------|--|--------|
| WRT6020P | 60mm x 200mm | PRINTED - Reflective Wheel Retention Tag | * |
| WRT6020 | 60mm x 200mm | BLANK - Reflective Wheel Retention Tag | * |
| WRT1019P | 108 mm x 193mm | PRINTED - Reflective Wheel Retention Tag | * |
| WRT1019 | 108 mm x 193mm | BLANK - Reflective Wheel Retention Tag | * |

* Select your colour

REFLECTIVE ID TAGS



Reflective ID Tags

Class 1W Reflective ID Tags, designed for personal identification. Reflective yellow front with orange reverse. Complete with small SPO eyelet for affixing.

PRODUCT CODE **TAGIDDS**

DOUBLE SIDED

| Code | Size | Description | Colour 1 | Colour 2 |
|----------|--------------|--|----------|----------|
| TAGIDDS | 50mm x 160mm | Reflective Double sided ID Tags - Yellow/Orange | Z-0108 | Z-2006 |
| TAGIDDSC | 95mm x 160mm | Reflective Double sided ID Tags - CUSTOM Colours | * | * |

* Select your colours

BORE HOLE & GAS REFLECTIVE TAGS



Bore Hole Tags
Size: 50mm x 160mm
22mm hole punched

PRODUCT CODE **TCB**



Gas Tags
Size: 95mm x 160mm
6mm hole punched

PRODUCT CODE **TCG**

Bore Hole & Gas Reflective tags

Class 1W Reflective Safety tags ideal for delineation of conveyor belts, and for machinery operation service and maintenance.

| Code | Size | Description |
|------|--------------|---|
| TCB | 50mm x 160mm | Bore Hole Reflective Cable Tag with 22mm hole |
| TCG | 95mm x 160mm | Gas Reflective Cable Tag with 6mm hole |

