

AREA 2

Shade shelter

- SAR1000** Steel deck roof - 24m/s
- SAR1002** Polycarbonate roof - 24m/s
- SAR1001** Steel deck roof - 28m/s
- SAR1003** Polycarbonate roof - 28m/s



Materials

Structure in glued laminated timber GL24H certified ACERBOIS GLULAM and designed using the HTE process, four coats of woodstain. Base section and connecting piece for the roof made of galvanised steel, polyester powder coated finish. Single pitch structure with a 10° inclination, calculated according to Structural Eurocodes (0,1,3-4-5-7-8). Covered surface area of 25 m², with available width of 2,60 m by car space (2 covered vehicles).

Standard finish

Wood: Brume
 Metal: Black 2100 sanded
 Finish corresponding to the references SAR1002 and SAR1003. Steel deck: Black 2100 sanded, finish corresponding to the references SAR1000 and SAR1001. Other colours on request.

Fixing

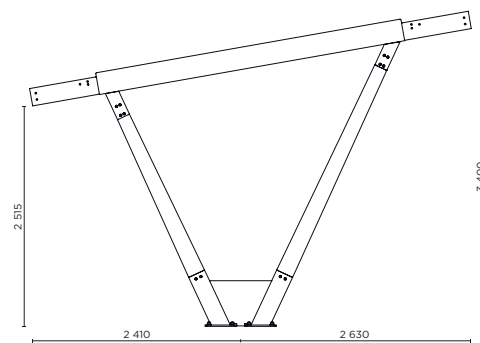
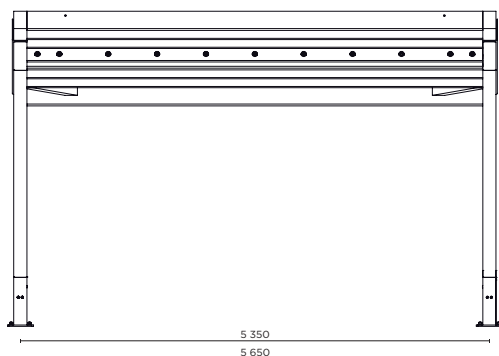
See table below. Anchor bolts supplied on request only.

Customisation

Customisable furniture, on consultation (photovoltaic module, lighting, signage, etc.).

Benefits, lifespan and maintenance

Elegantly designed furniture, by designer Saguez & Partners. Presence of wood, a warm and ecological material. Materials proven for outdoor use, glued laminated timber designed using the HTE process guaranteeing high resistance outdoors. Heartwood of untreated scots pine. S235 quality steel with good mechanical characteristics.



Saguez & Partners design
 Wooden structure:



	Frame H x L x W	Parking capacity	Wind speed	Terrain roughness	Plate dimensions	Plate spacing dimensions	Hole for fixing on plate	Anchor bolts	Structure weight
SAR1000	3 400 x 5 650 x 5 040 mm	2 vehicles	24 m/s	2	355 x 300 mm	265 x 210 mm	Ø 24 x 48 mm	M20 x 500	1 100 kg
SAR1002	3 400 x 5 650 x 5 040 mm	2 vehicles	24 m/s	2	355 x 300 mm	265 x 210 mm	Ø 24 x 48 mm	M20 x 500	1 100 kg
SAR1001	3 400 x 5 650 x 5 040 mm	2 vehicles	28 m/s	0	405 x 300 mm	315 x 210 mm	Ø 28 x 56 mm	M24 x 500	1 430 kg
SAR1003	3 400 x 5 650 x 5 040 mm	2 vehicles	28 m/s	0	405 x 300 mm	315 x 210 mm	Ø 28 x 56 mm	M24 x 500	1 430 kg