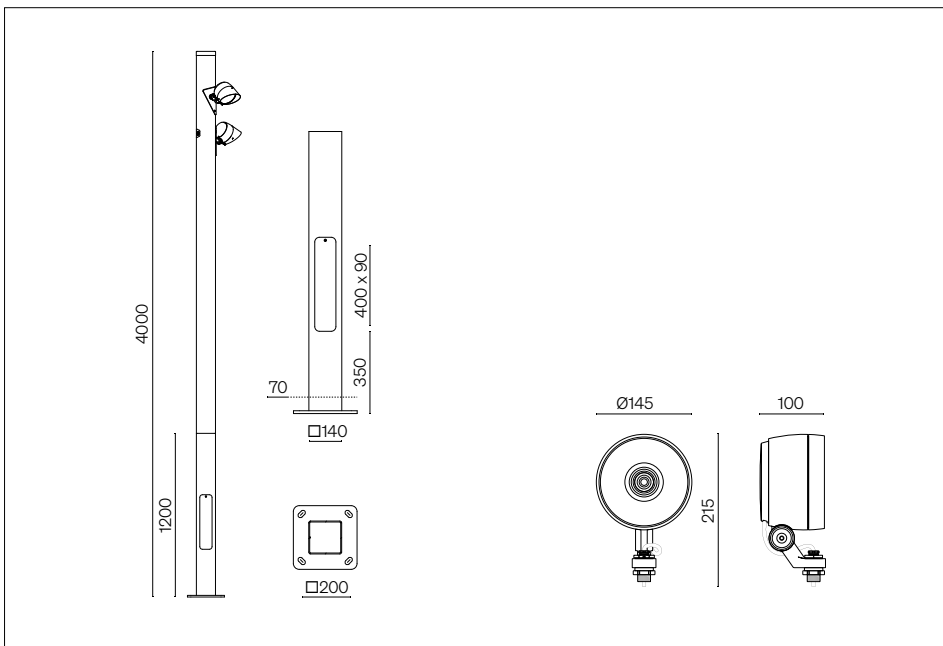
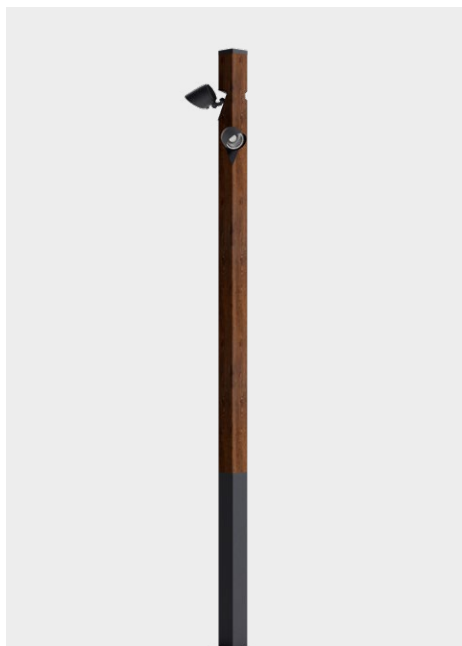


Notche

LNO0402

Light building element - 2 × 19 W



Technical description

Square light profile made of glue-laminated Scots Pine wood from sustainably managed forests (PEFC).

Strength class GL24H (bending strength C24), ACERBOIS-Glulam certified, and designed using the HTE process with double lamination construction.

Four-step staining process with water-based stains. Stain durability > 6 years.

Fire reaction class EUROCLASS D-s2, d0 according to EN 13501-1 standard.

Base and cap made of galvanized steel, floodlight support made of stainless steel, polyester powder-coated. Seawater atmosphere protection available upon request.

CE-marked product (CE conformity certificate 0679-CPR-0473).



Dimensions: H 4 m • □ 140 mm

Base: H 1.20 m • □ 140 mm

Effective dimensions: 400 × 90 mm • 117 mm

Weight: 43 kg

High-Performance Optical System equipped with a projector providing diffuse symmetrical light distribution (other optics available on request).

Luminaire made of cast aluminum, aluminum, and stainless steel. BEGA Unidure® coating technology. Clear safety glass. Silicone seal. Stainless steel visor.

BEGA Hybride Optics® • BEGA Thermal Control®

DALI control

Connecting cable 5G 1 mm².

Class I protection □

☞ Safety symbol ☞ Compliance mark

Degree of protection: IP 65

Mechanical impact resistance: IK08

Lighting data

Connected power: 19 W

Ambient temperature: $t_{a,max} = 50\text{ °C}$

Guaranteed availability of LED modules for 20 years.

Luminous Flux Table

Color Temperature	Code	Light Output (lm)	Efficiency (lm/W)	CRI
3000 K	code+.K3	1911 lm	100.6 lm/W	CRI>90
2700 K	code+.K27	1833 lm	96.5 lm/W	CRI>90
2200 K	code+.K22	2142 lm	109.8 lm/W	CRI>65

*Amber or BugSaver on request

Ratio of luminous flux

Luminous flux upper half-space: 0 %

Luminous flux lower half-space: 100 %

BUG rating according to IES TM-15-07: 2 - 0 - 0

CEN Flux Code according to EN 13032-2:

88 - 98 - 100 - 100 - 100

Life span

According to our raw material supply specifications and the CSTB, our products have a structural life of 25 years (CE marking).

Source:

Rated temperature $t_a = 25\text{ °C}$

LED psu: > 50.000 h

LED module: > 200.000 h (L 80 B 50)

Ambient temperature max. $t_a = 50\text{ °C}$ (100 %)

LED psu: 50.000 h

LED module: 150.000 h (L 80 B 50)

Maintenance and lifespan

In order to maintain the performance of the columns and their aesthetics, it is advisable to plan periodic maintenance of the wood every 8 years (6 years on sites exposed to the sea front) by renewing the finish. This operation does not require any particular expertise or removal of the columns. AUBRILAM can assist you in this process by providing a staining kit with the application protocol.

It is recommended to regularly clean metal surfaces with soapy water. Make sure to use non-aggressive products. Never use corrosive products or scouring pads.

At each intervention on the luminaires, check the fastening of accessories and brackets.

Annual inspection: Check the condition of the access door(s), the base, and the anchoring rods. Unclog the water drainage holes and ensure there are no signs of oxidation on the metal parts.

Installation

Plate dimensions : □ 271 mm

Spacing dimensions : □ 200 mm

Fixation hole : 20 × 36 mm

Fixing with 4 Anchor rods HA20/M18 - 400 mm, supplied only on request.

Burried root version upon request.

Accessories

- Elliptical lens for modifying light distribution.
- Stainless steel base
- Hinged door or door with safety-cable
- Two doors
- Anti-theft screw
- Cable hole

Customization

Customization available upon request.

Finish

The finish shown is in Brume wood and Graphite metal, code+.W01.M01.K3. Finish options available in any of the standard shades from the AUBRILAM color chart. Other colors available upon request.

Wood

Brume code+.W01	Cooper code+.W02	Tyrol Pine code+.W03	Chestnut code+.W04
Ferrara Oak code+.W05	Basalt code+.W06	Meteor code+.W07	Origin code+.W08
Alizé code+.W09	La Mer code+.W10	Burnt Umber code+.W11	

Metal

Graphite code+.M01	Silver code+.M02	RAL 7006 MFT code+.M03	Grey 2900 sanded code+.M04
Black 2100 sanded code+.M05	Black 2200 sanded code+.M06	Random rust code+.M50	Crystal black code+.M51

Lighting

3 000K code+.K3	2 700K code+.K27	2 200K code+.K22
--------------------	---------------------	---------------------