

RENDEZ-VOUS

Chair

FRV0001



Materials

Electro-galvanised steel structure, polyester powder coated finish. Solid wood slats in Accoya® acetylated timber from sustainably managed forests. Timber finished with four coats of woodstain. High performance concrete seats and backrests, protected with a BF24h type stain.

Standard finish

Wood: Brume

Metal: Black 2100 sanded

Finish corresponding to the reference FRV0001.

Other colours on request.

Fixing

Fixation to the ground is recommended.

Chemical sealing.

Anchor bolts: threaded bolt M10 x 80.

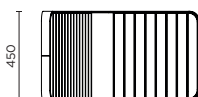
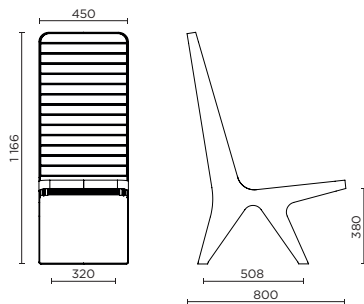
Anchor bolts supplied on request only.

Benefits, lifespan and maintenance

Modern, robust and comfortable furniture. Presence of wood, a warm and ecological material. Tested materials for exterior use, the solid modified Accoya® wood chosen for its qualities of durability and stability (class 4 use). High performance concrete filled with organic fibers. S235 quality steel with good mechanical characteristics. Low maintenance. Simple and easy wood maintenance.

Customisation

Engraving of a logo or any other graphic element on request.



FRV0001	Frame H x L x W	Seat height	Hole for fixing on leg	Anchor bolts	Weight	Co-design Anna Szonyi Wood material:
	1166 x 800 x 450 mm	380 mm	Ø 12 mm	M10 x 80	27 kg	   